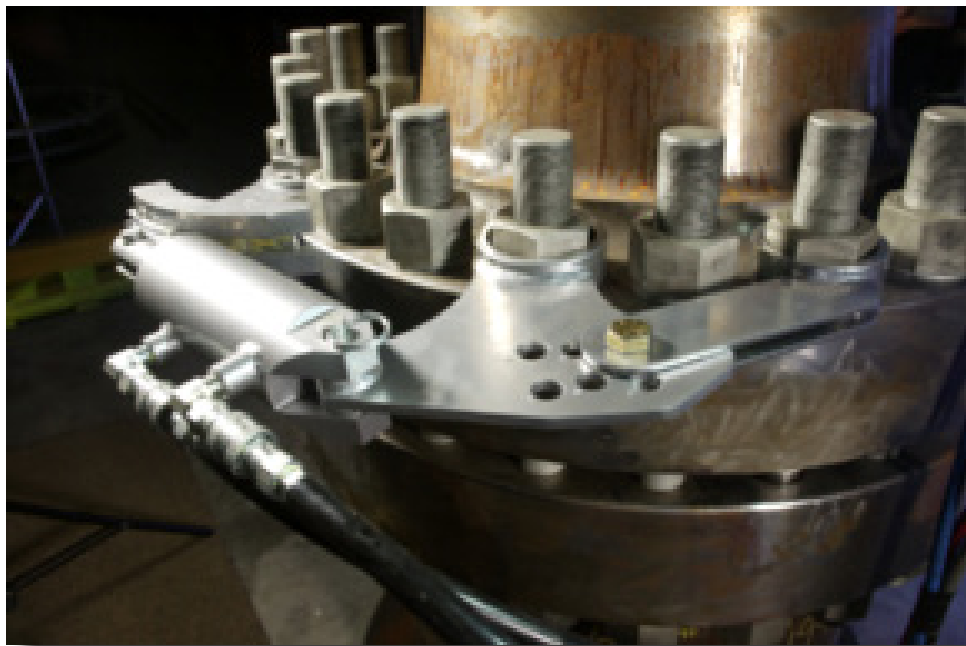


ThinLINE TLH212-6



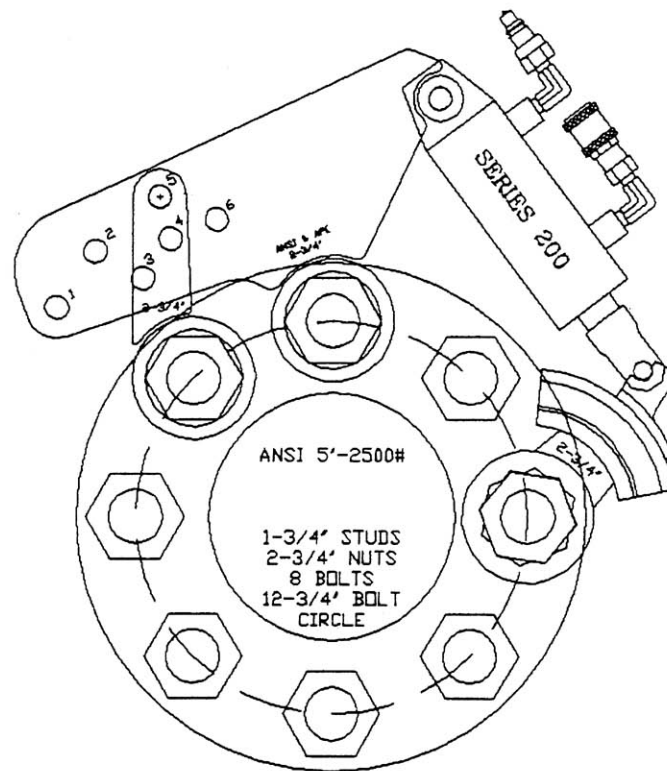
Bolt Patterns Guide

LEADING PROVIDER OF BOLT LOADING & REMOVAL SOLUTIONS

Products and Prices are subject to updates and changes. Please contact us for current quote.

2013

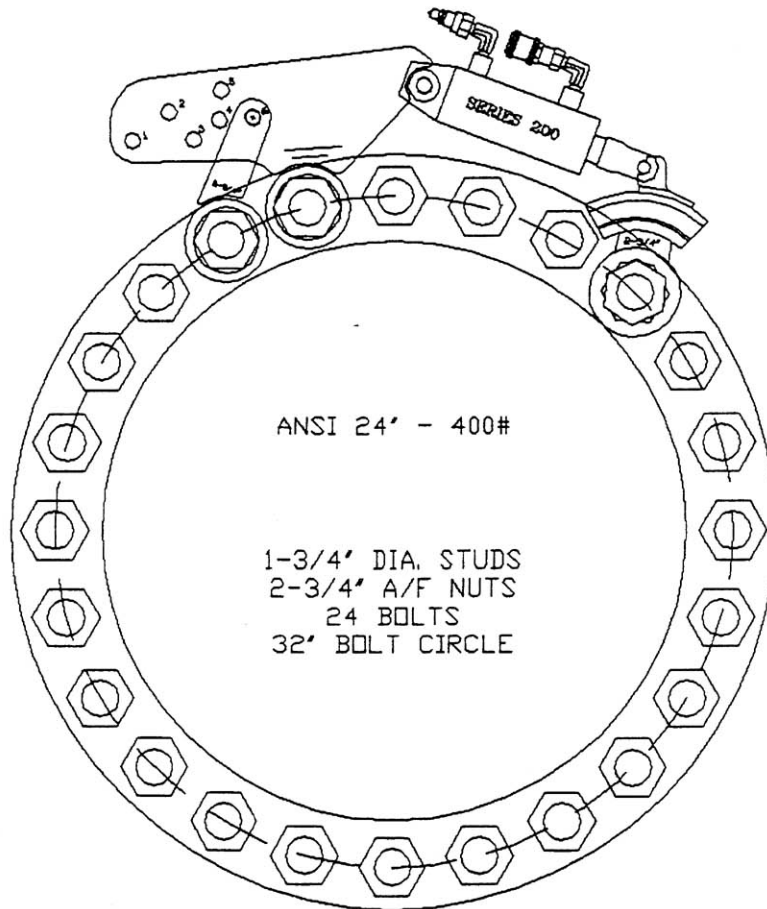
ThinLINE TLH212-6



Suggested Torque: 2,867 ft-lb
Pressure Setting: 1,850 psi



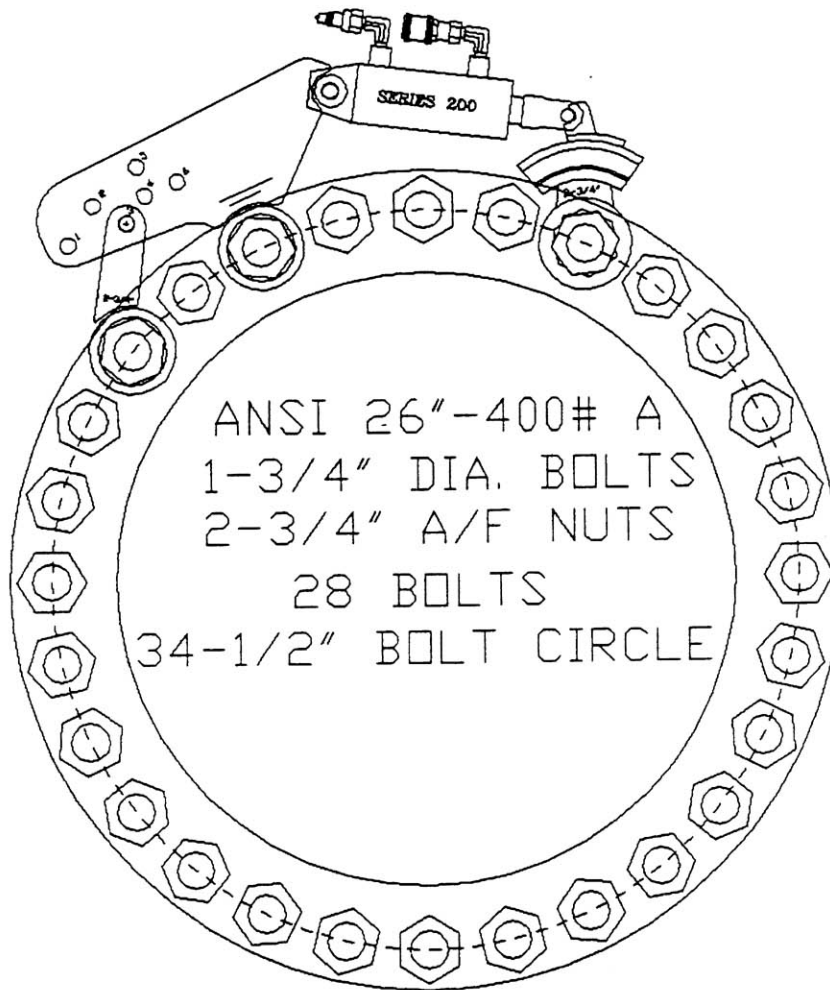
ThinLINE TLH212-6



Suggested Torque: 2,867 ft-lb
Pressure Setting: 1,850 psi



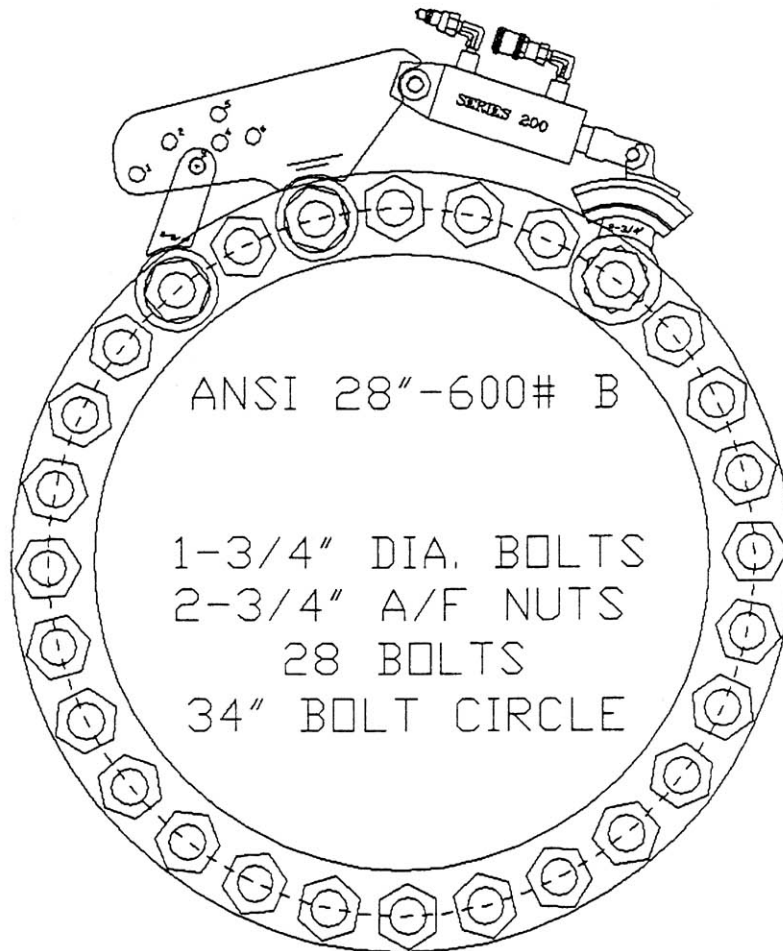
ThinLINE TLH212-6



Suggested Torque: 2,867 ft-lb
Pressure Setting: 1,850 psi



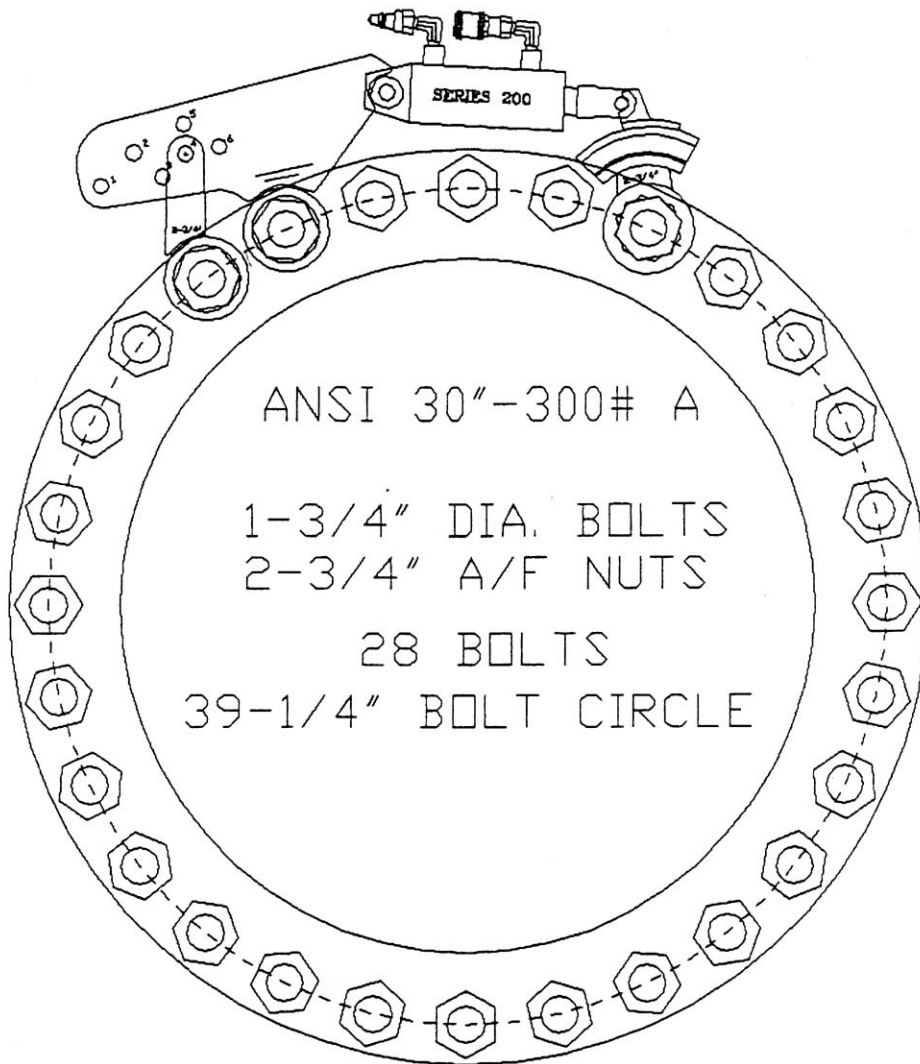
ThinLINE TLH212-6



Suggested Torque: 2,867 ft-lb
Pressure Setting: 1,850 psi



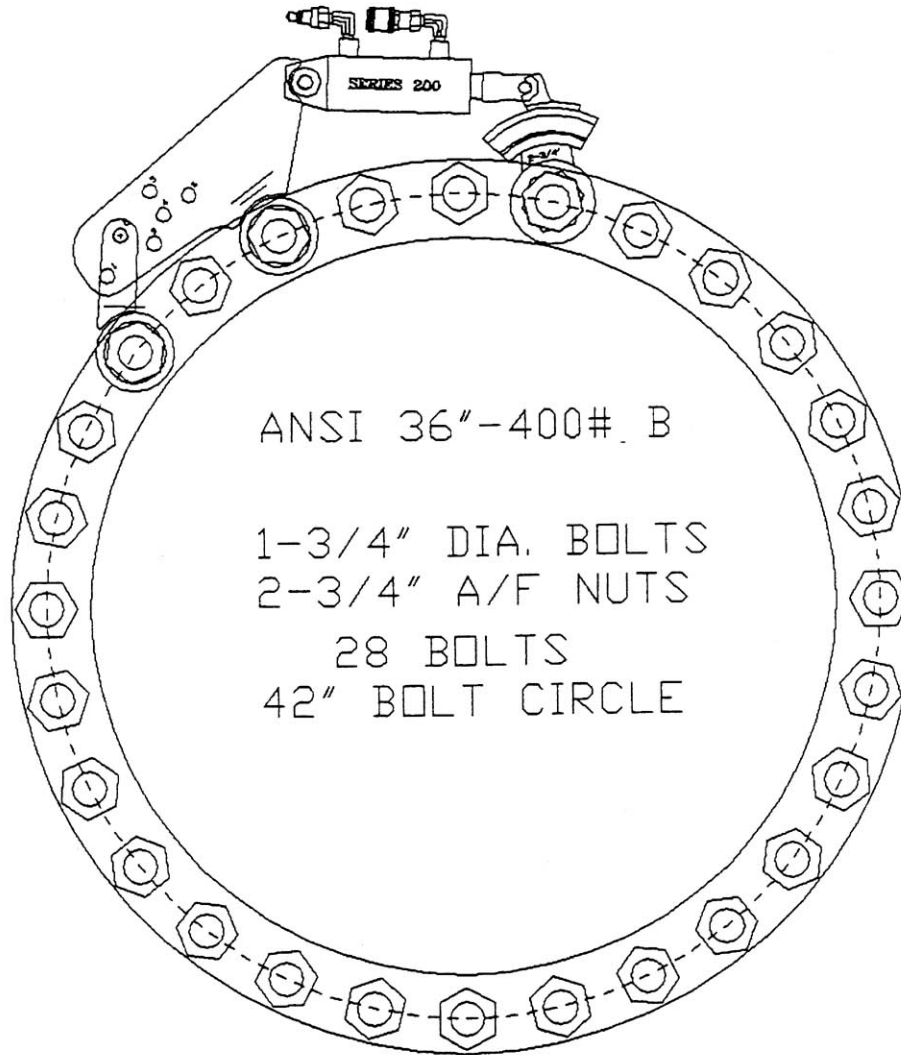
ThinLINE TLH212-6



Suggested Torque: 2,867 ft-lb
Pressure Setting: 1,850 psi



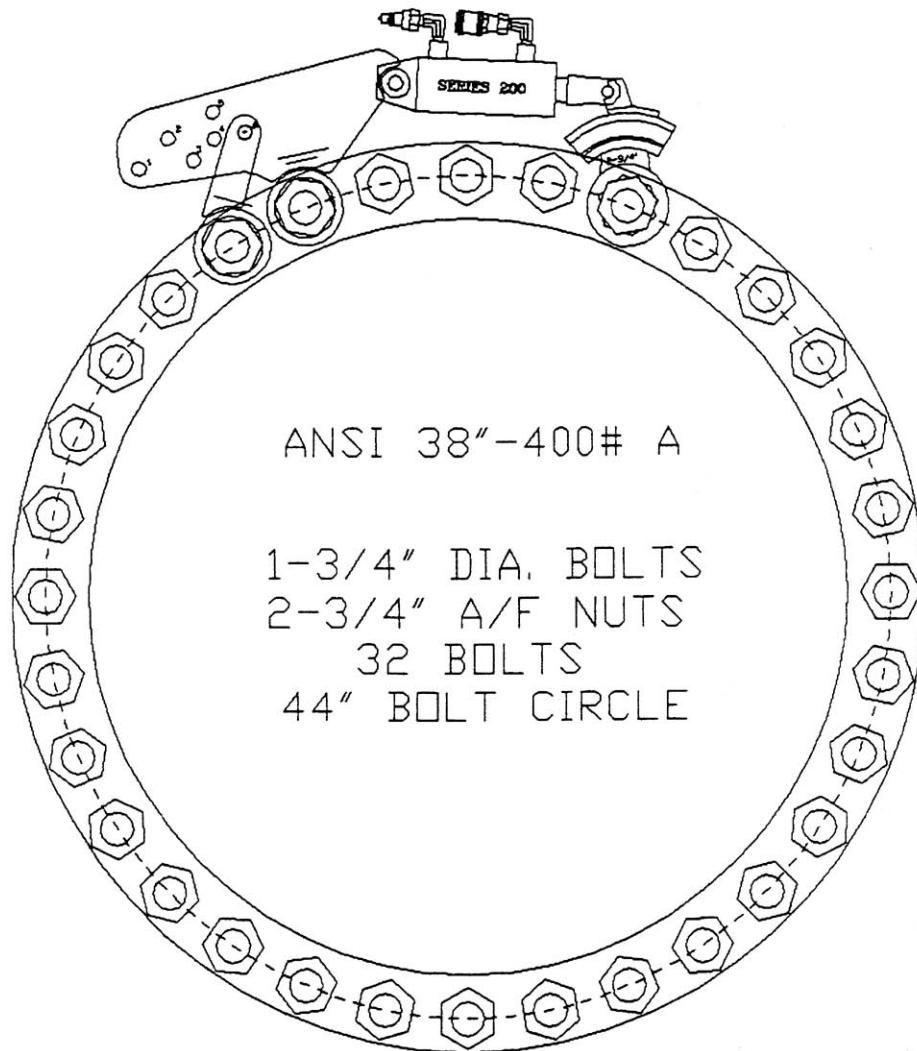
ThinLINE TLH212-6



Suggested Torque: 2,867 ft-lb
Pressure Setting: 1,850 psi



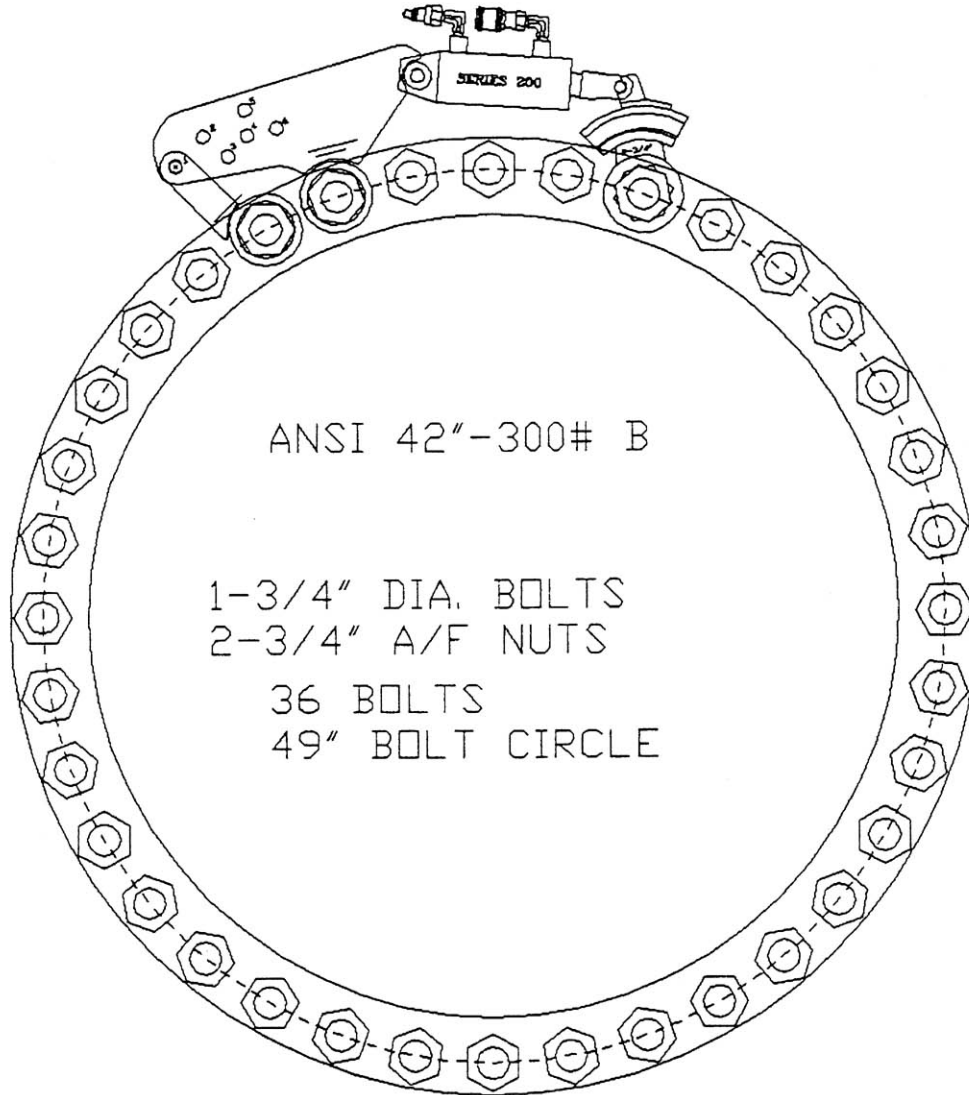
ThinLINE TLH212-6



Suggested Torque: 2,867 ft-lb
Pressure Setting: 1,850 psi



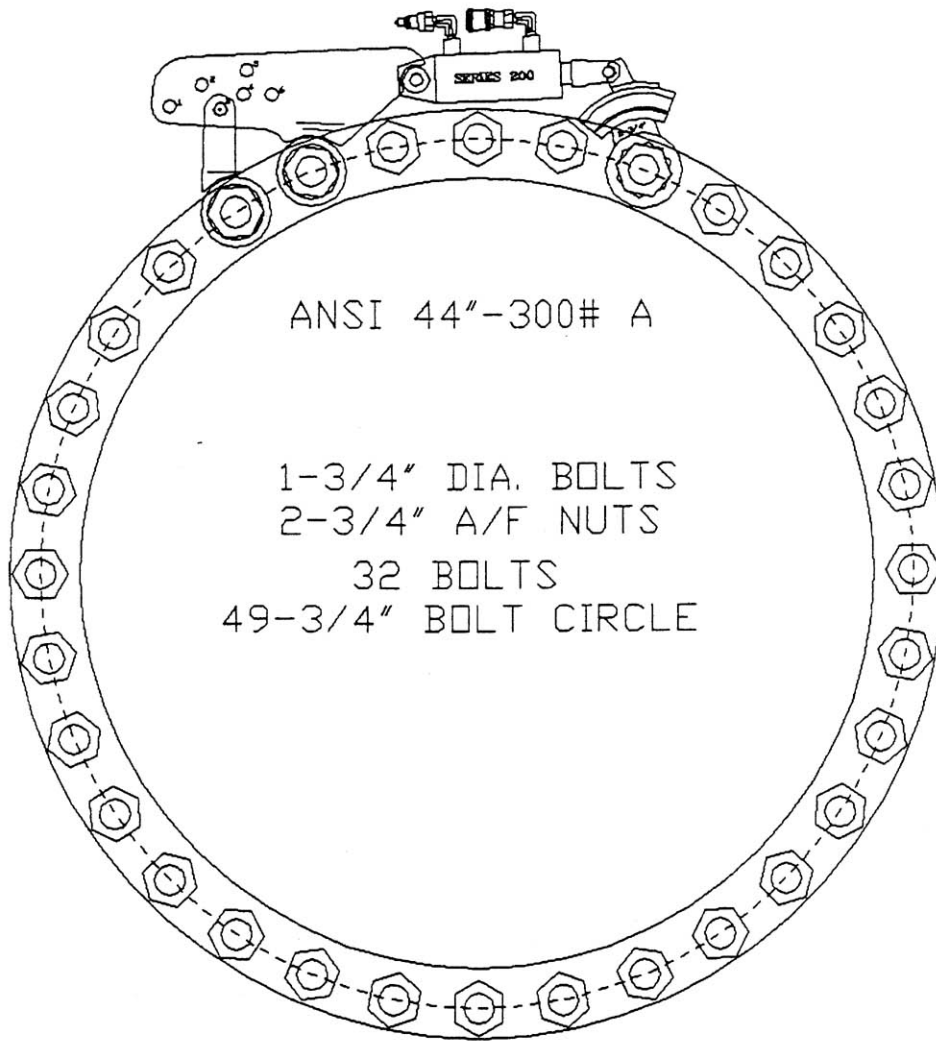
ThinLINE TLH212-6



Suggested Torque: 2,867 ft-lb
Pressure Setting: 1,850 psi



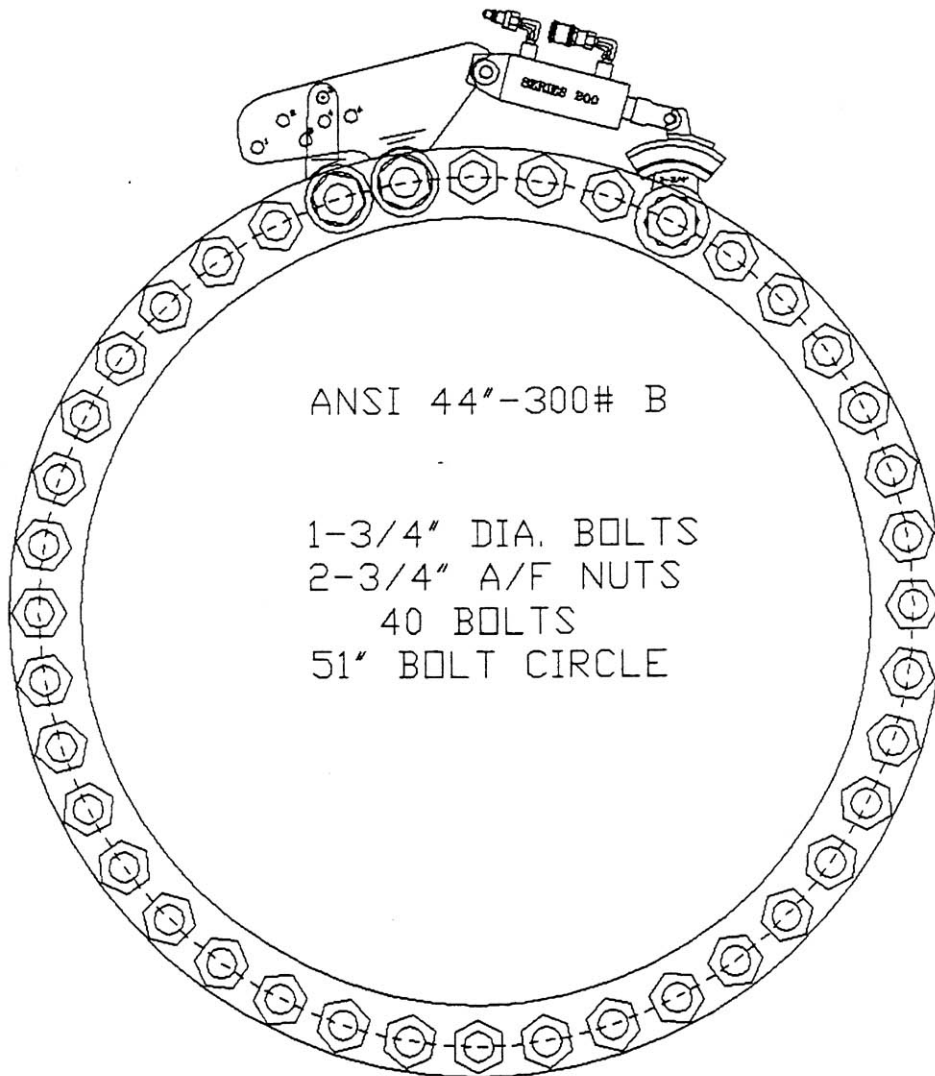
ThinLINE TLH212-6



Suggested Torque: 2,867 ft-lb
Pressure Setting: 1,850 psi



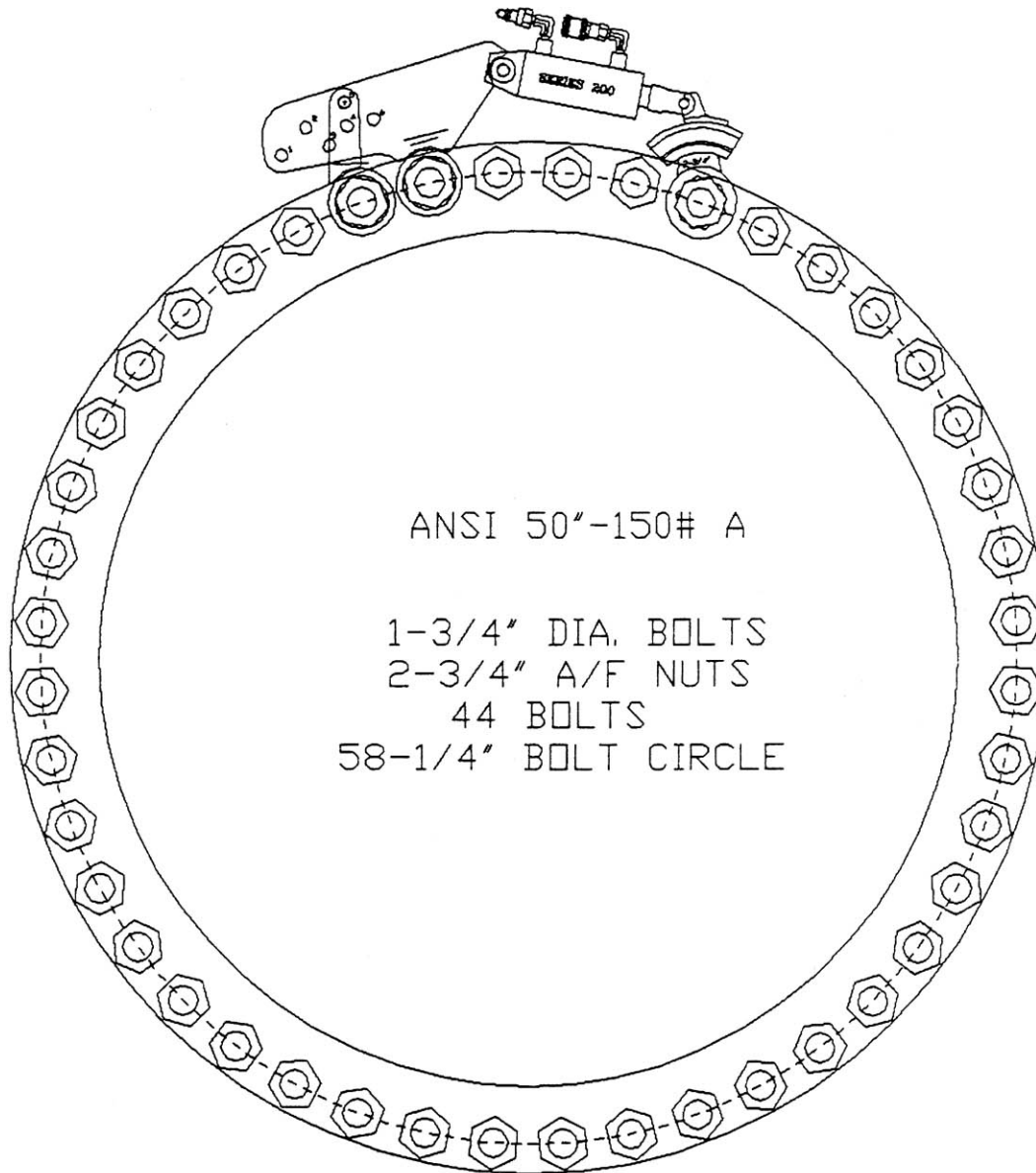
ThinLINE TLH212-6



Suggested Torque: 2,867 ft-lb
Pressure Setting: 1,850 psi



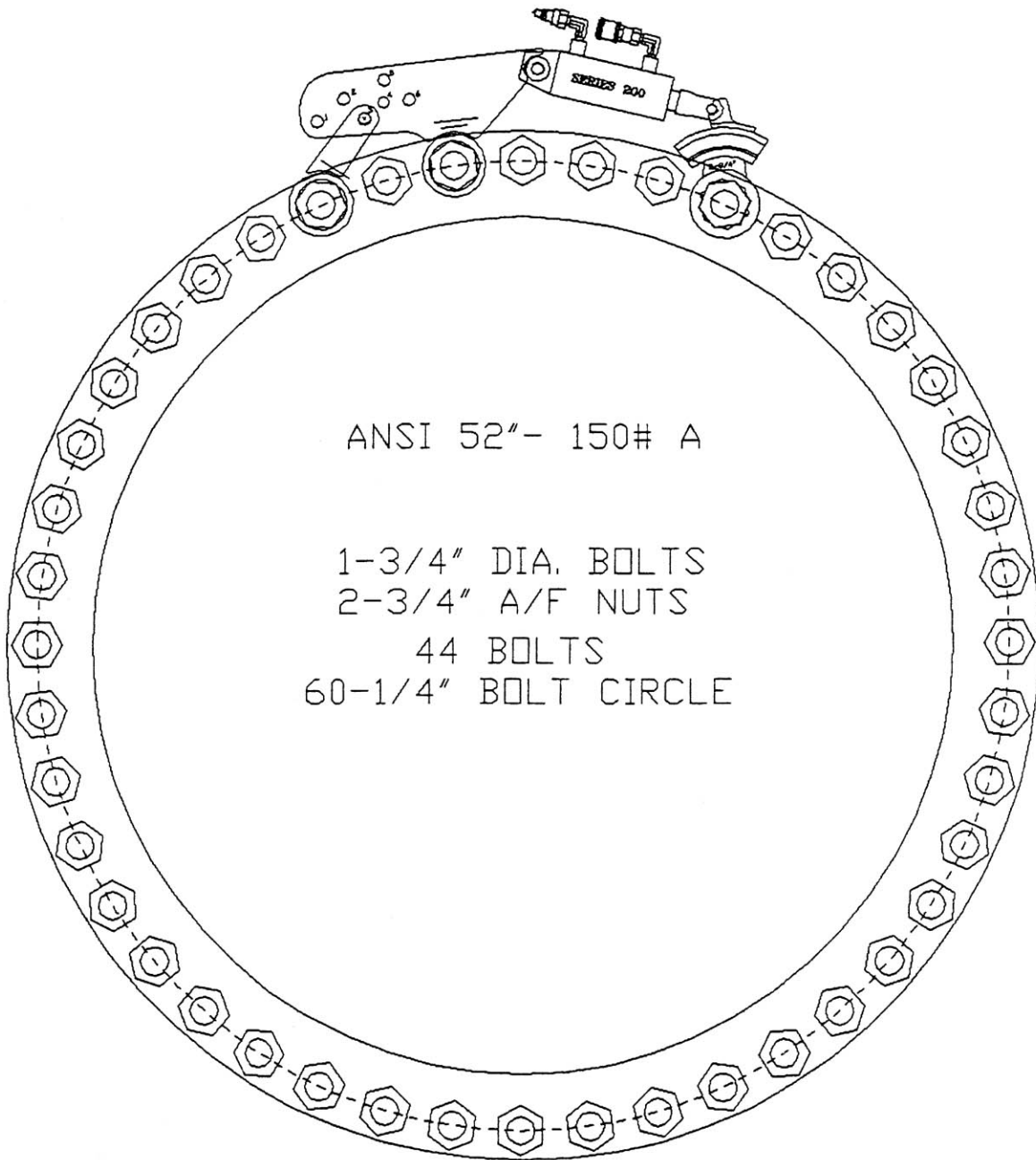
ThinLINE TLH212-6



Suggested Torque: 2,867 ft-lb
Pressure Setting: 1,850 psi



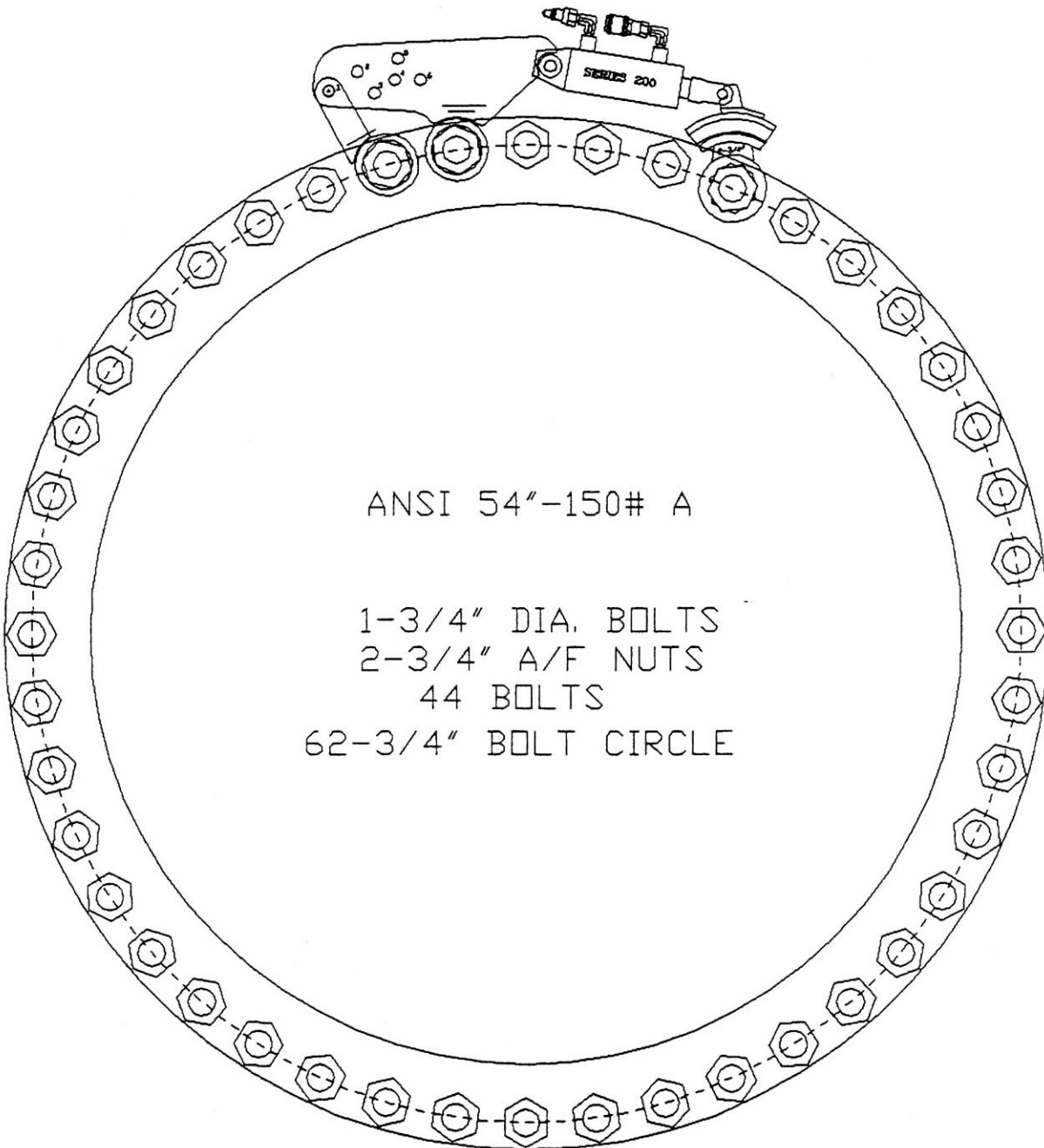
ThinLINE TLH212-6



Suggested Torque: 2,867 ft-lb
Pressure Setting: 1,850 psi



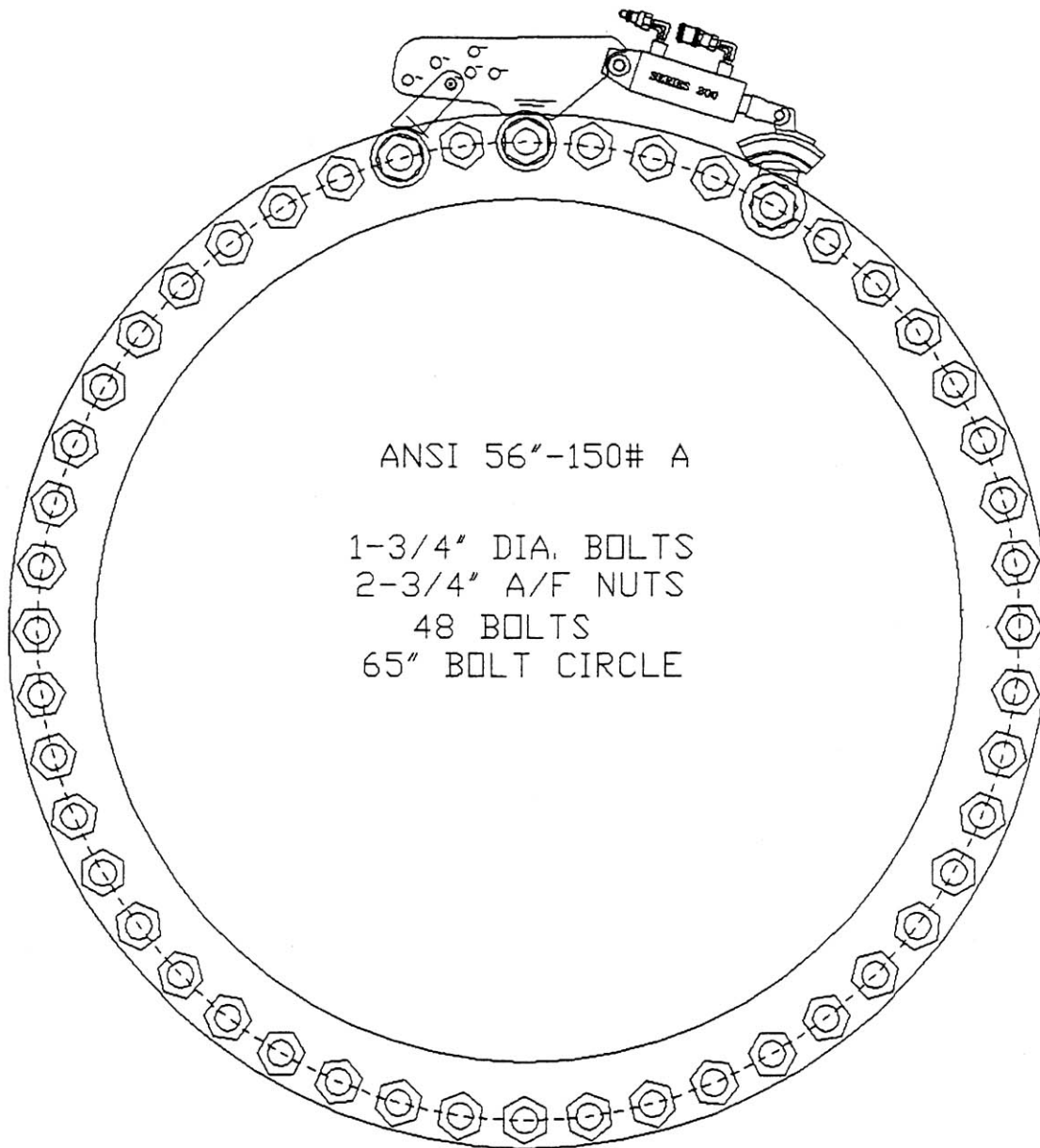
ThinLINE TLH212-6



Suggested Torque: 2,867 ft-lb
Pressure Setting: 1,850 psi



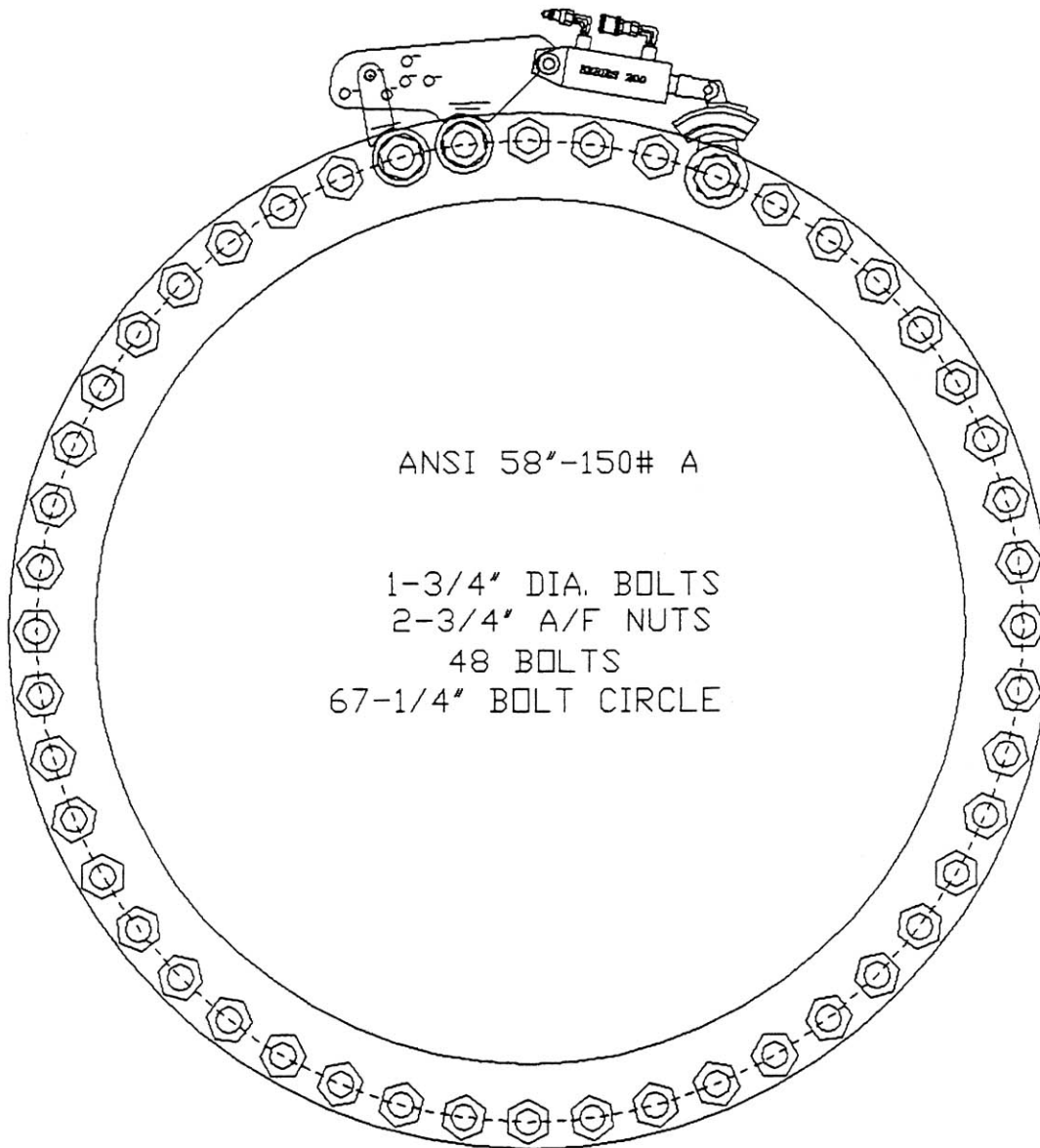
ThinLINE TLH212-6



Suggested Torque: 2,867 ft-lb
Pressure Setting: 1,850 psi



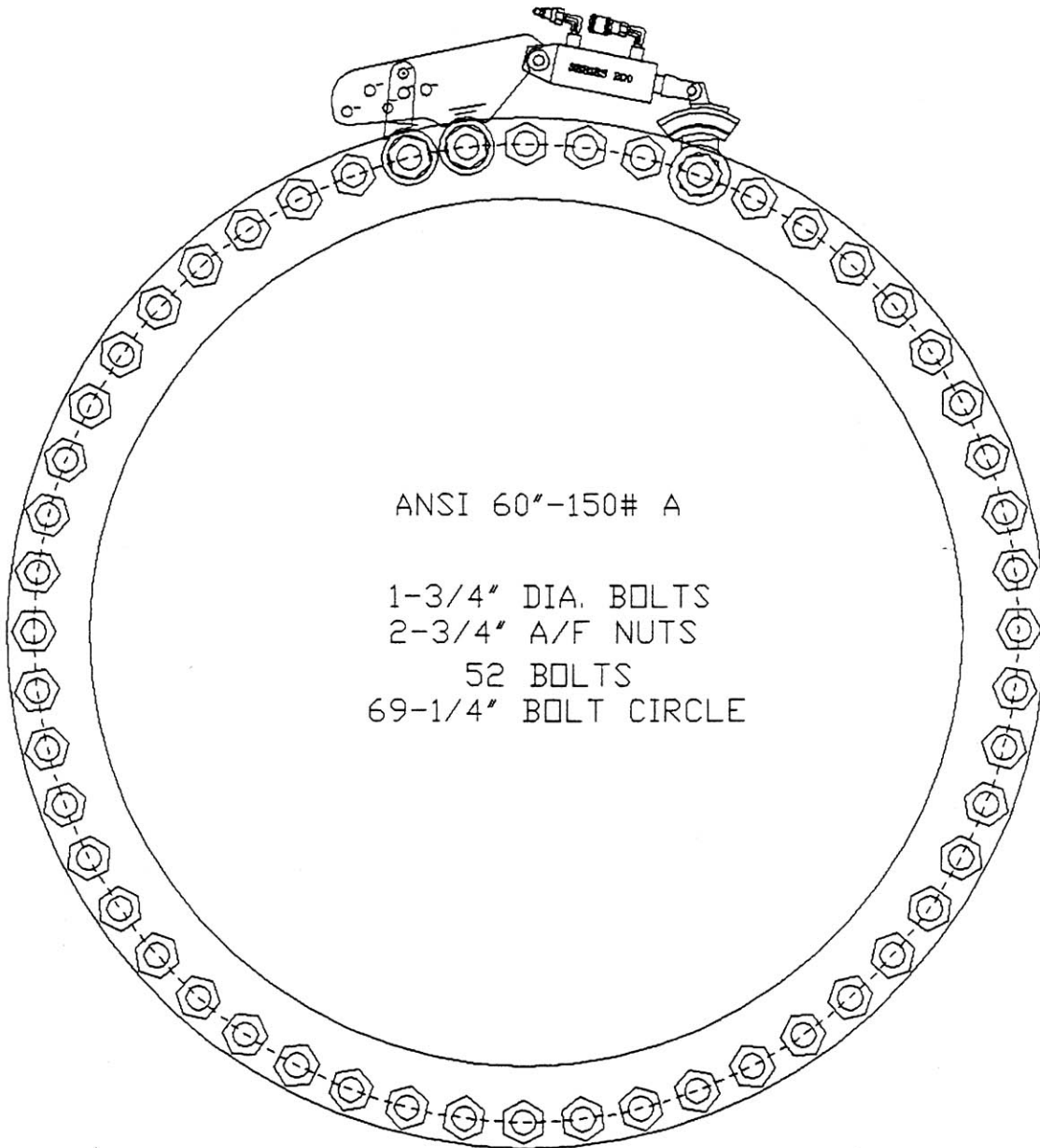
ThinLINE TLH212-6



Suggested Torque: 2,867 ft-lb
Pressure Setting: 1,850 psi



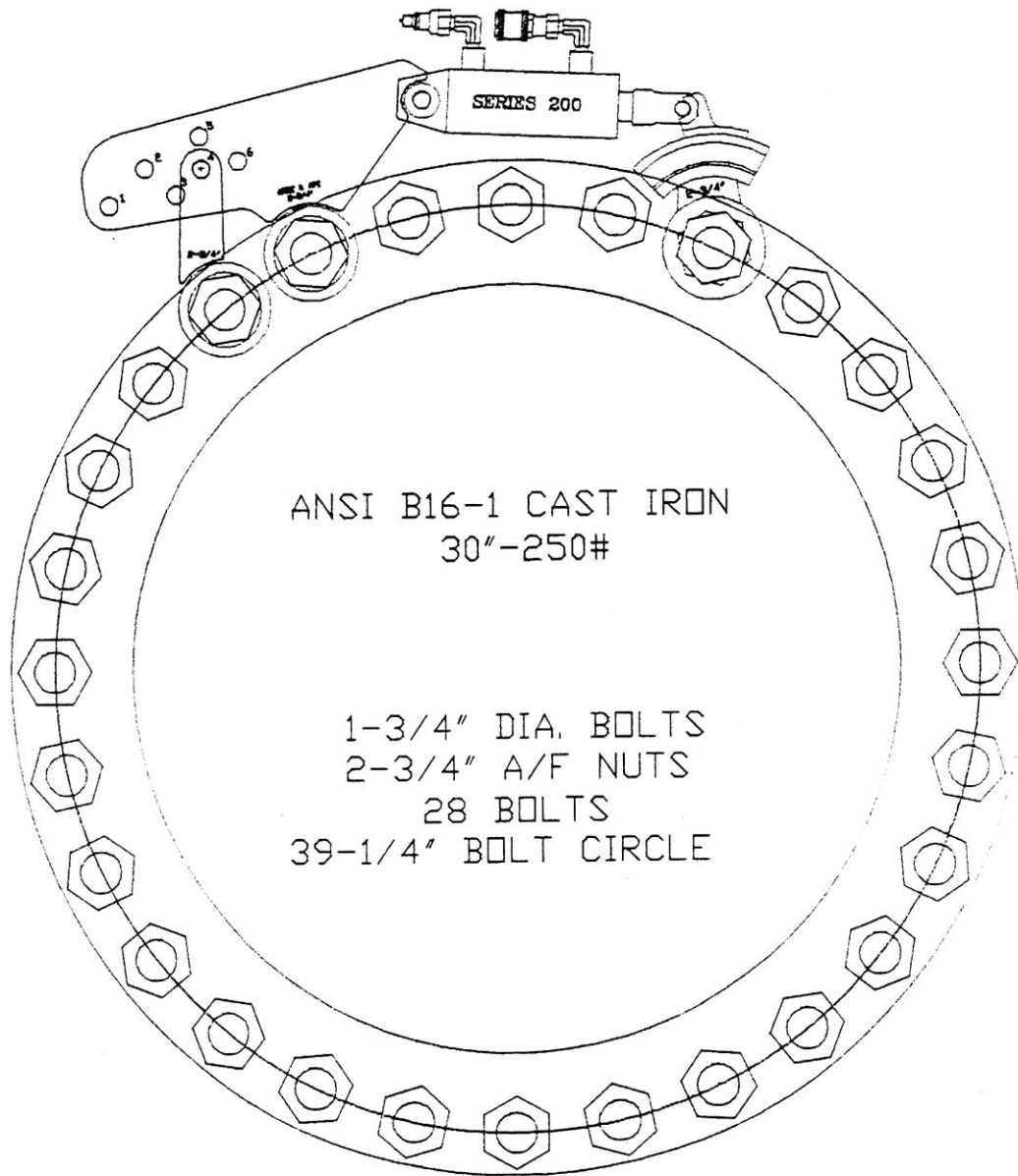
ThinLINE TLH212-6



Suggested Torque: 2,867 ft-lb
Pressure Setting: 1,850 psi



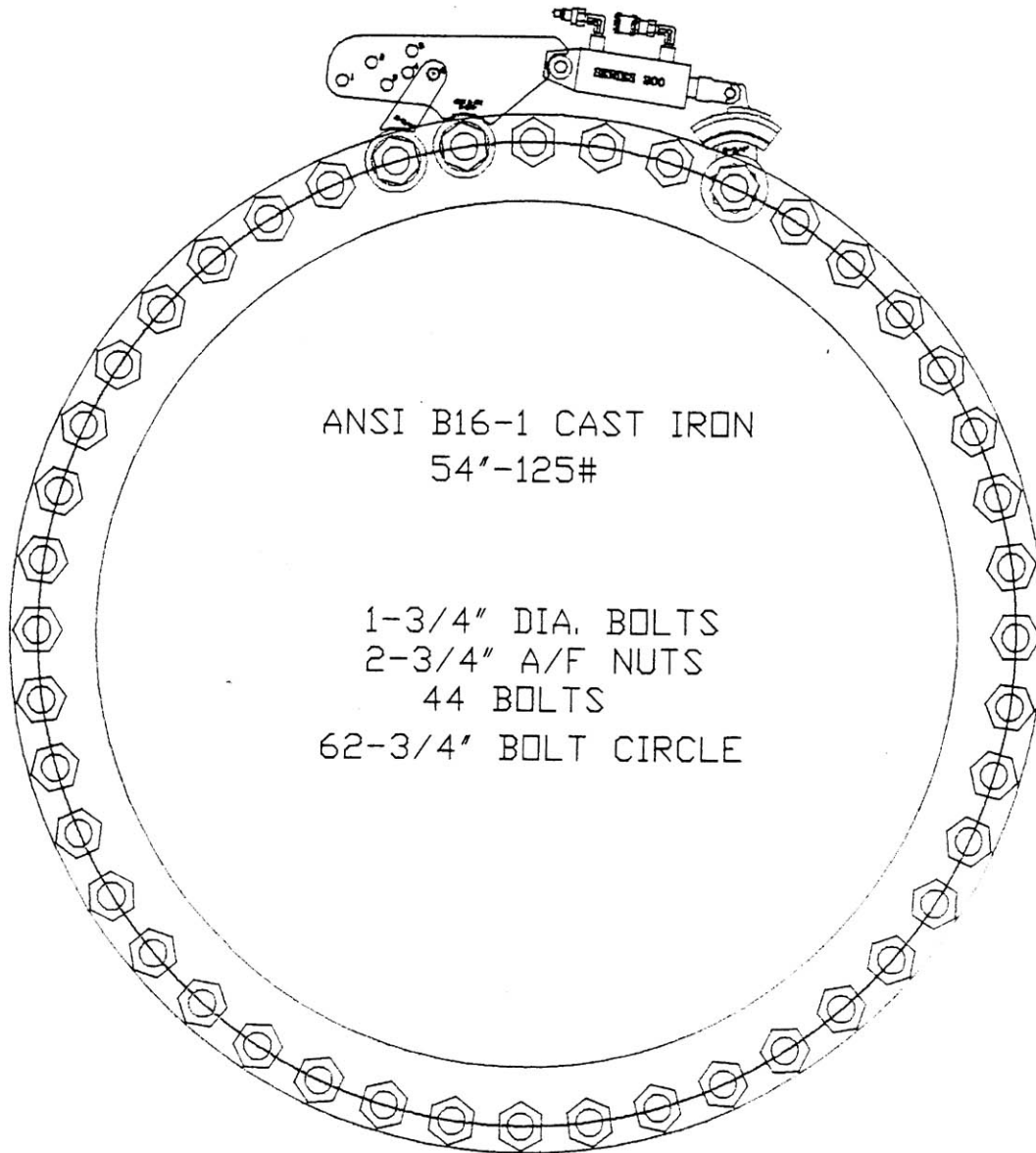
ThinLINE TLH212-6



Suggested Torque: 2,867 ft-lb
Pressure Setting: 1,850 psi



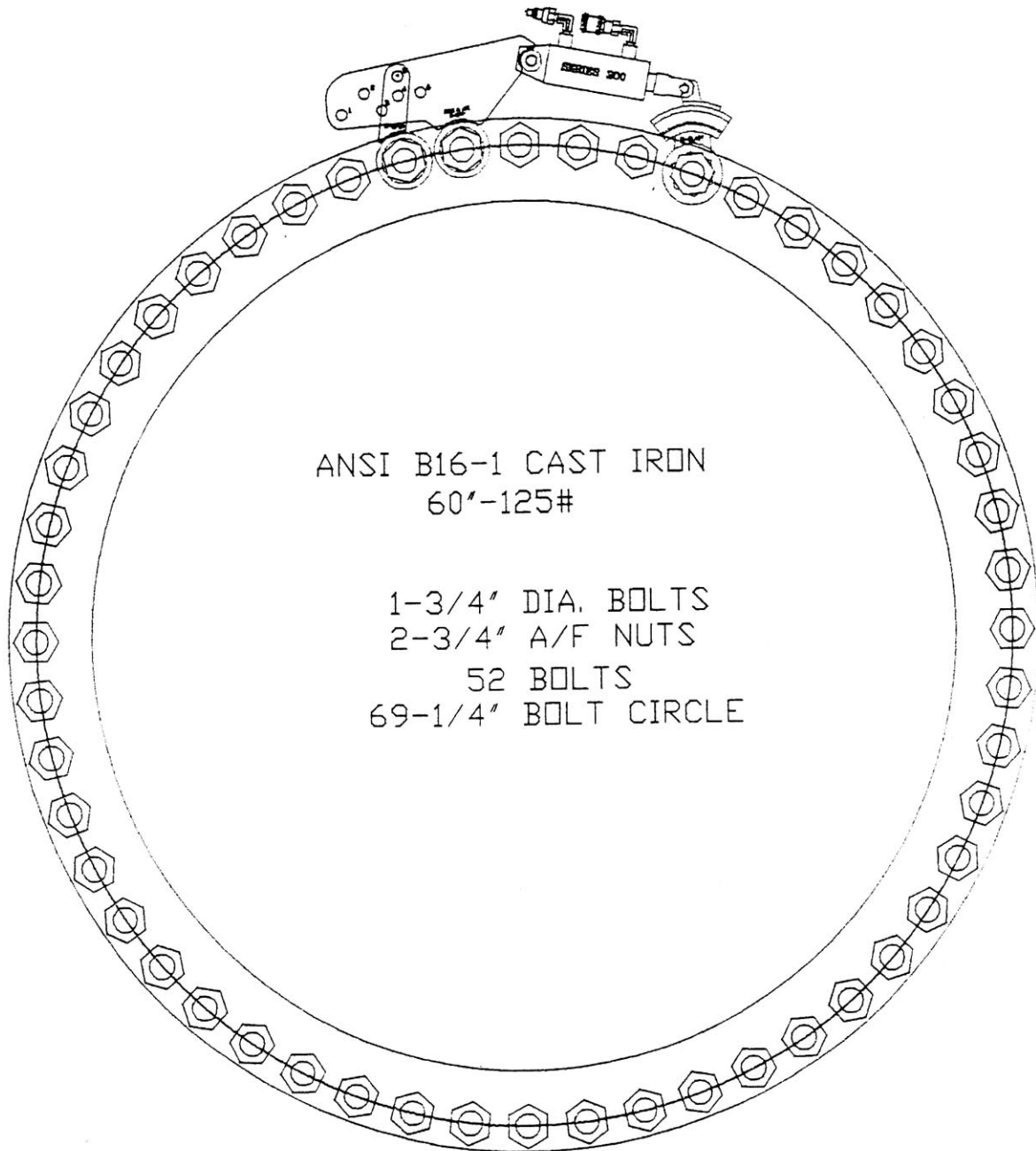
ThinLINE TLH212-6



Suggested Torque: 2,867 ft-lb
Pressure Setting: 1,850 psi



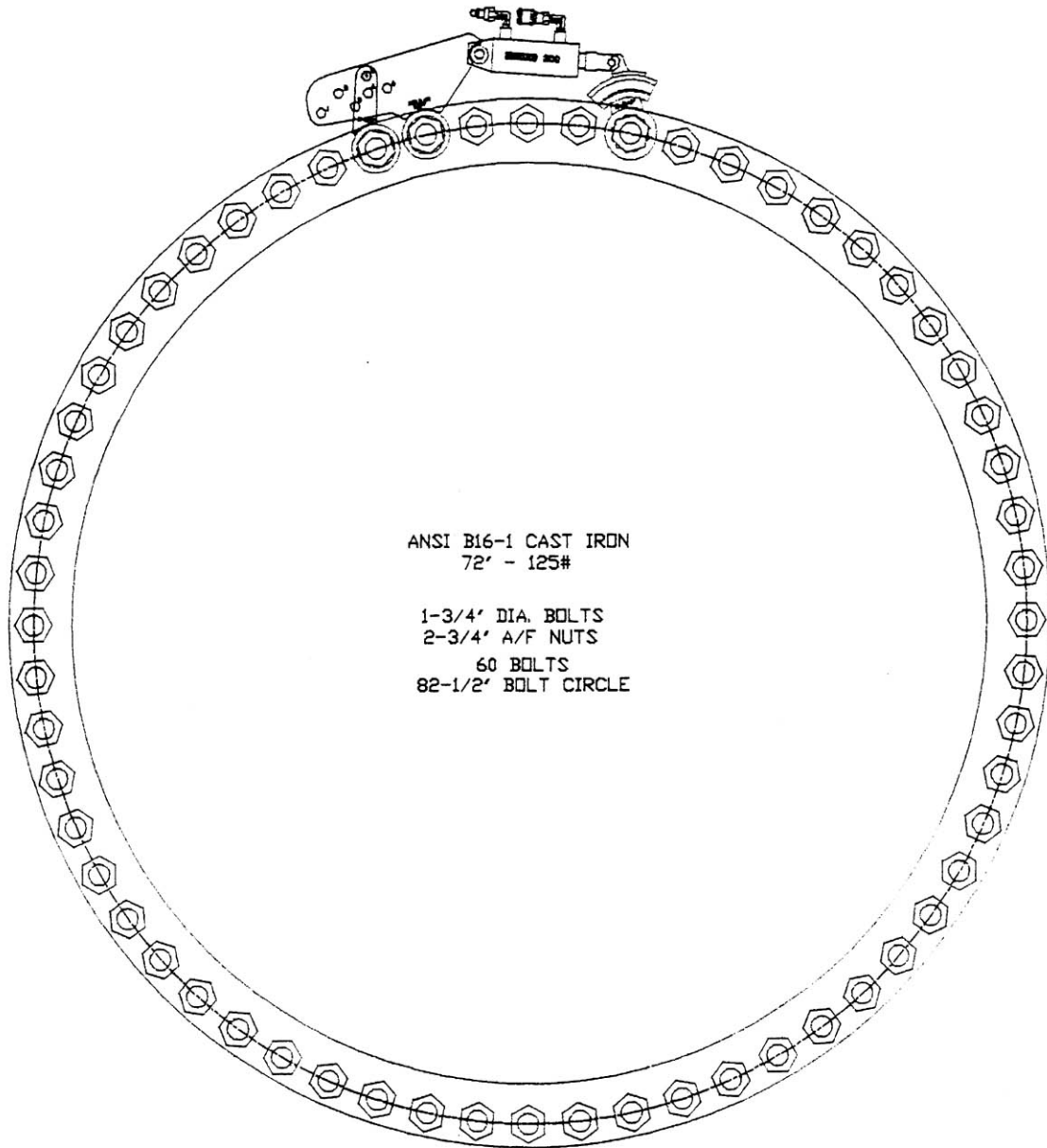
ThinLINE TLH212-6



Suggested Torque: 2,867 ft-lb
Pressure Setting: 1,850 psi



ThinLINE TLH212-6



Suggested Torque: 2,867 ft-lb
Pressure Setting: 1,850 psi



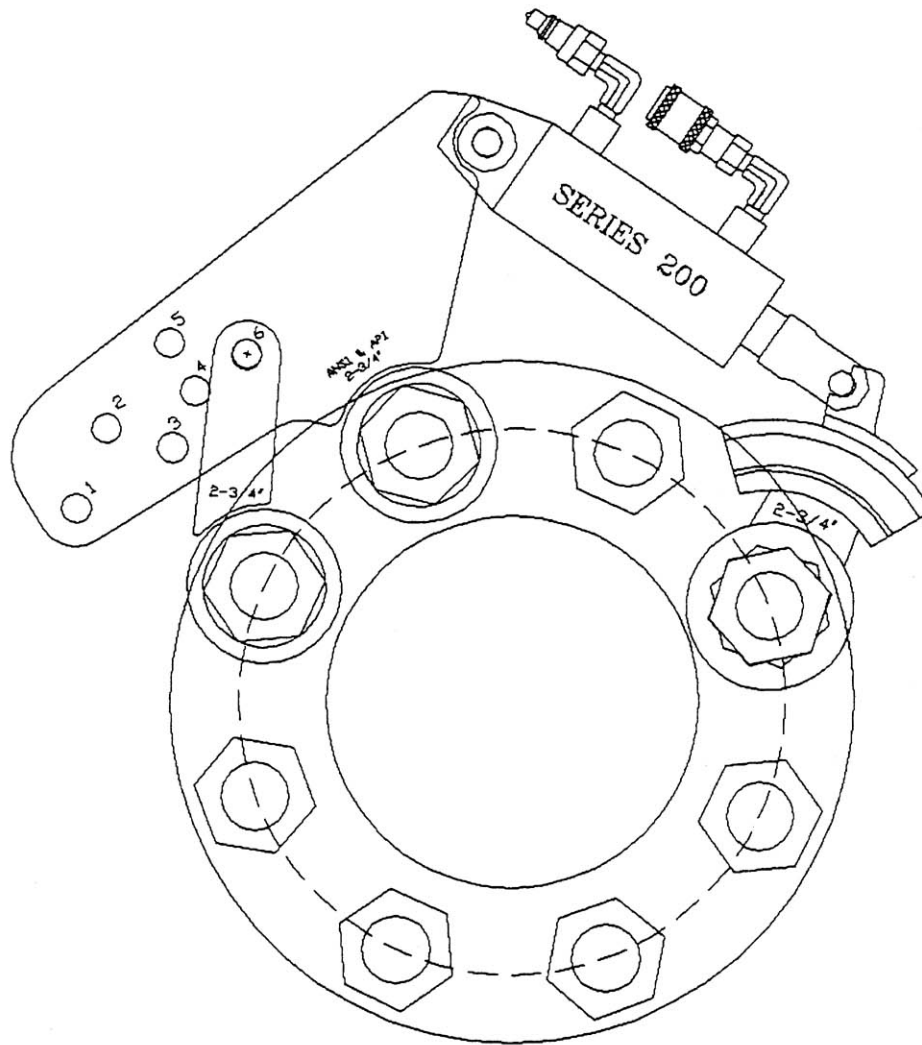
ThinLINE TLH212-6

ANSI B16-1 Cast Iron Flanges with 1-3/4-inch Bolts

Flange #	# of Bolts	Bolt Circle	Flange O.D.	Flange I.D.	ACAD Des.
54-125 PSI	44	62.75	66.25	57.75	AWWA-528
60-125 PSI	52	69.25	73	64	AWWA-529
72-125 PSI	60	82.5	86.5	76	AWWA-530
30-250 PSI	28	39.25	43	35	AWWA-531



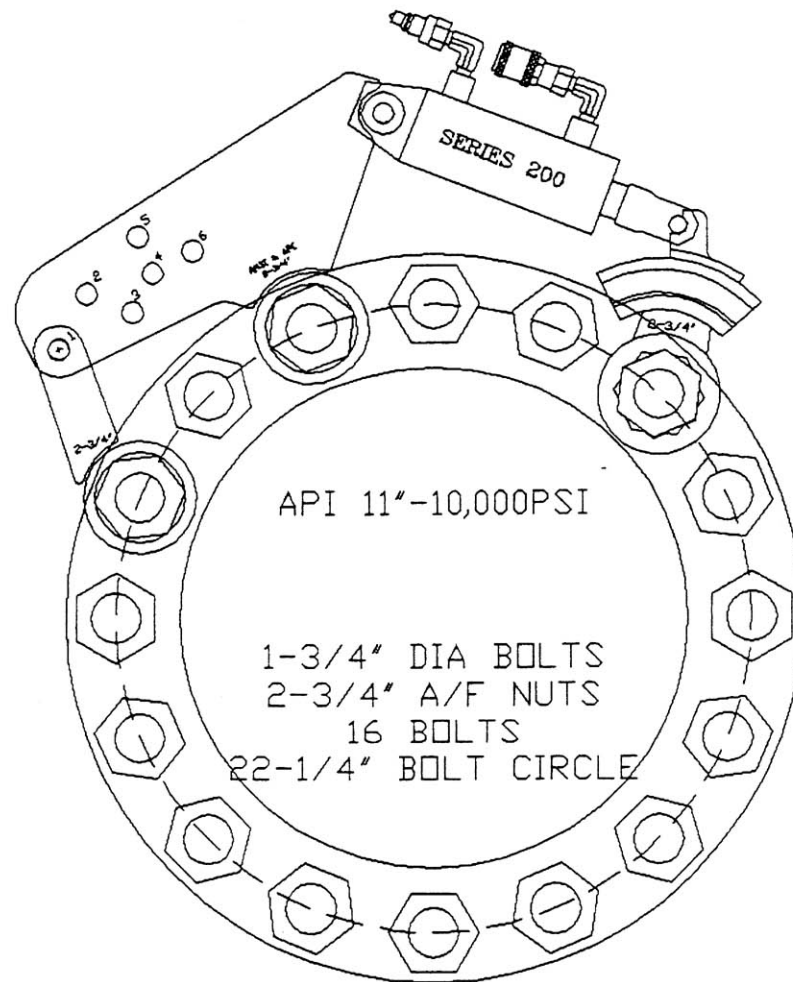
ThinLINE TLH212-6



Suggested Torque: 2,867 ft-lb
Pressure Setting: 1,850 psi



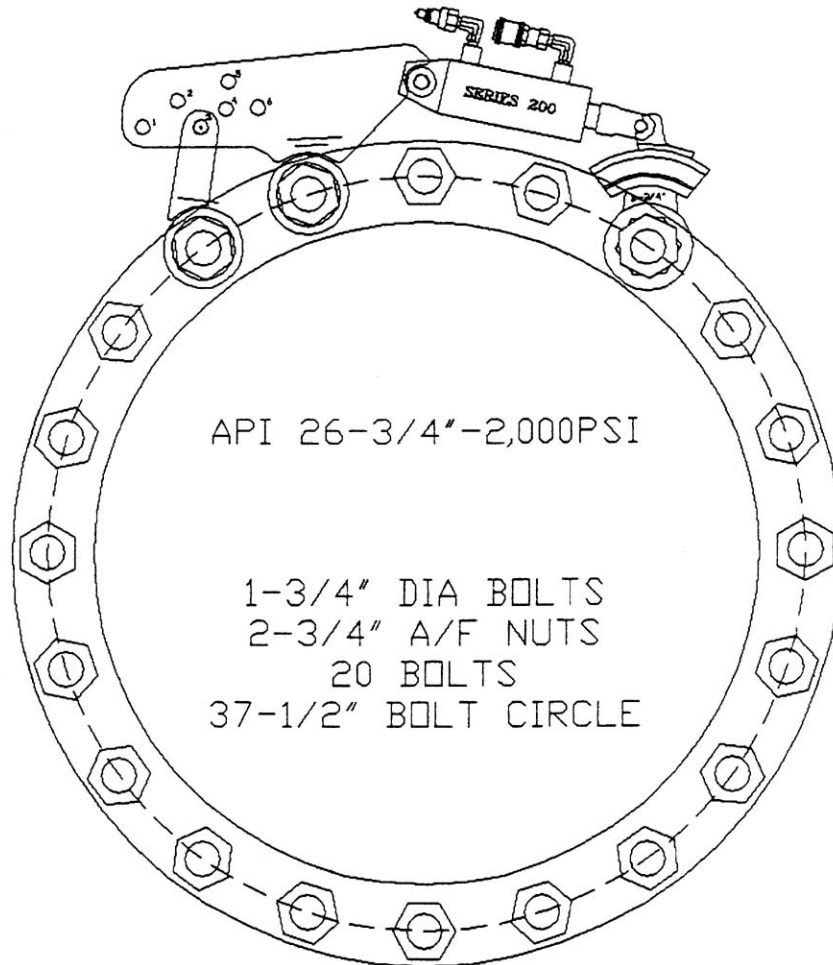
ThinLINE TLH212-6



Suggested Torque: 2,867 ft-lb
Pressure Setting: 1,850 psi



ThinLINE TLH212-6



Suggested Torque: 2,867 ft-lb
Pressure Setting: 1,850 psi

