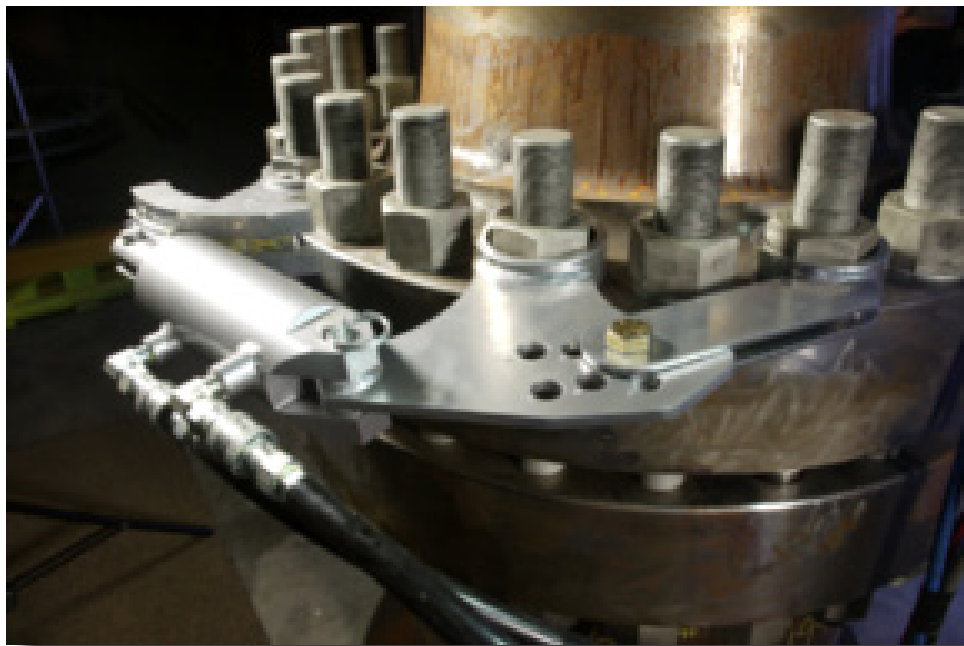


ThinLINE TLH209-6



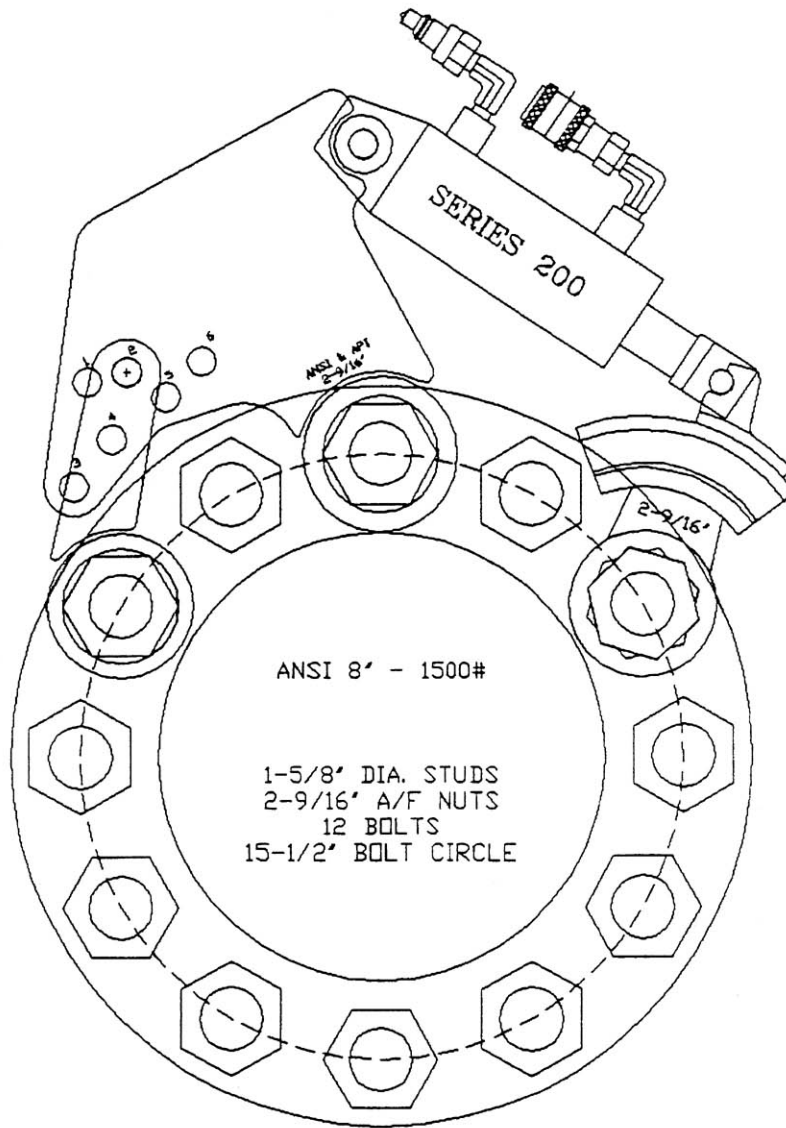
Bolt Patterns Guide

LEADING PROVIDER OF BOLT LOADING & REMOVAL SOLUTIONS

Products and Prices are subject to updates and changes. Please contact us for current quote.

2013

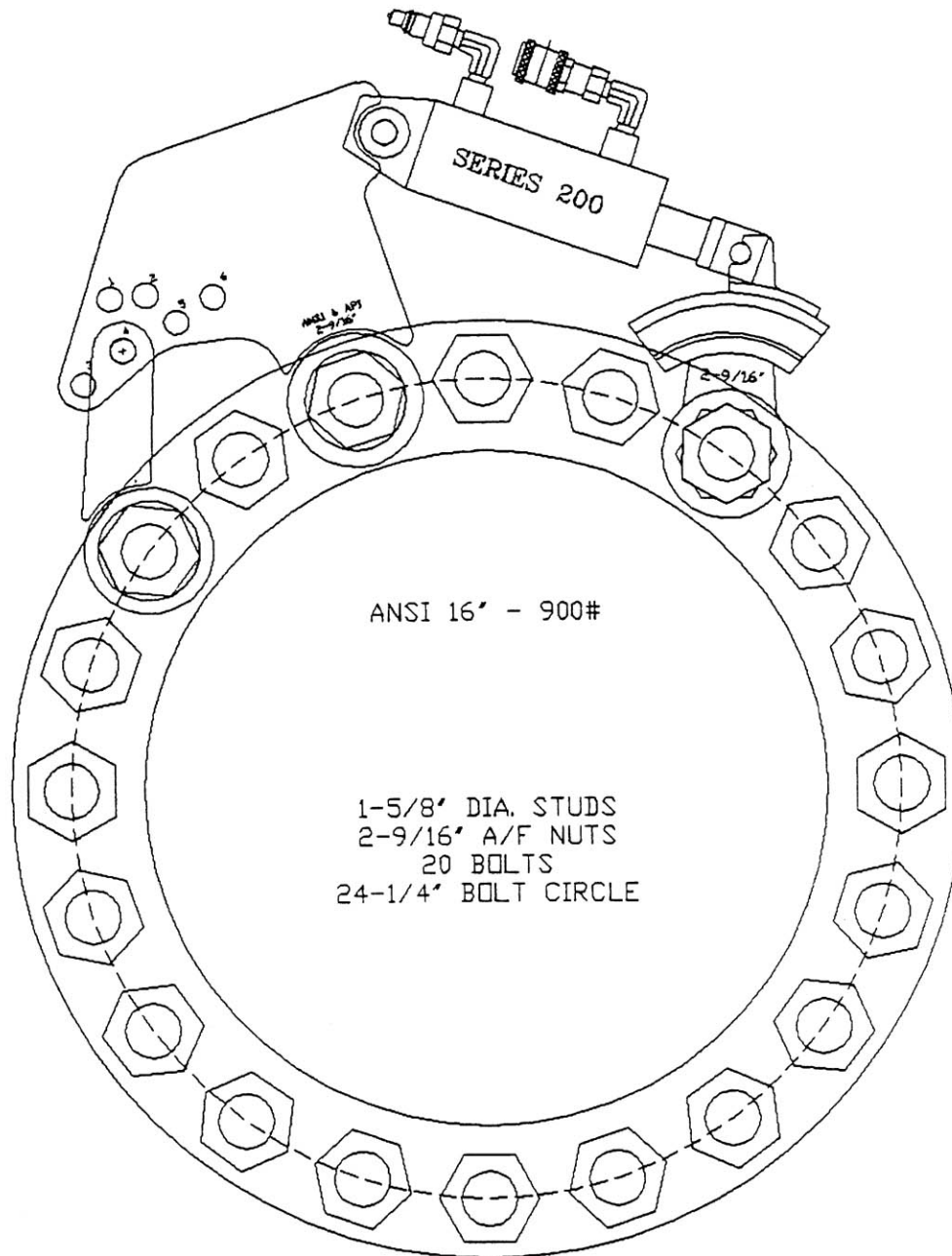
ThinLINE TLH209-6



Suggested Torque: 2,278 ft-lb
Pressure Setting: 1,450 psi



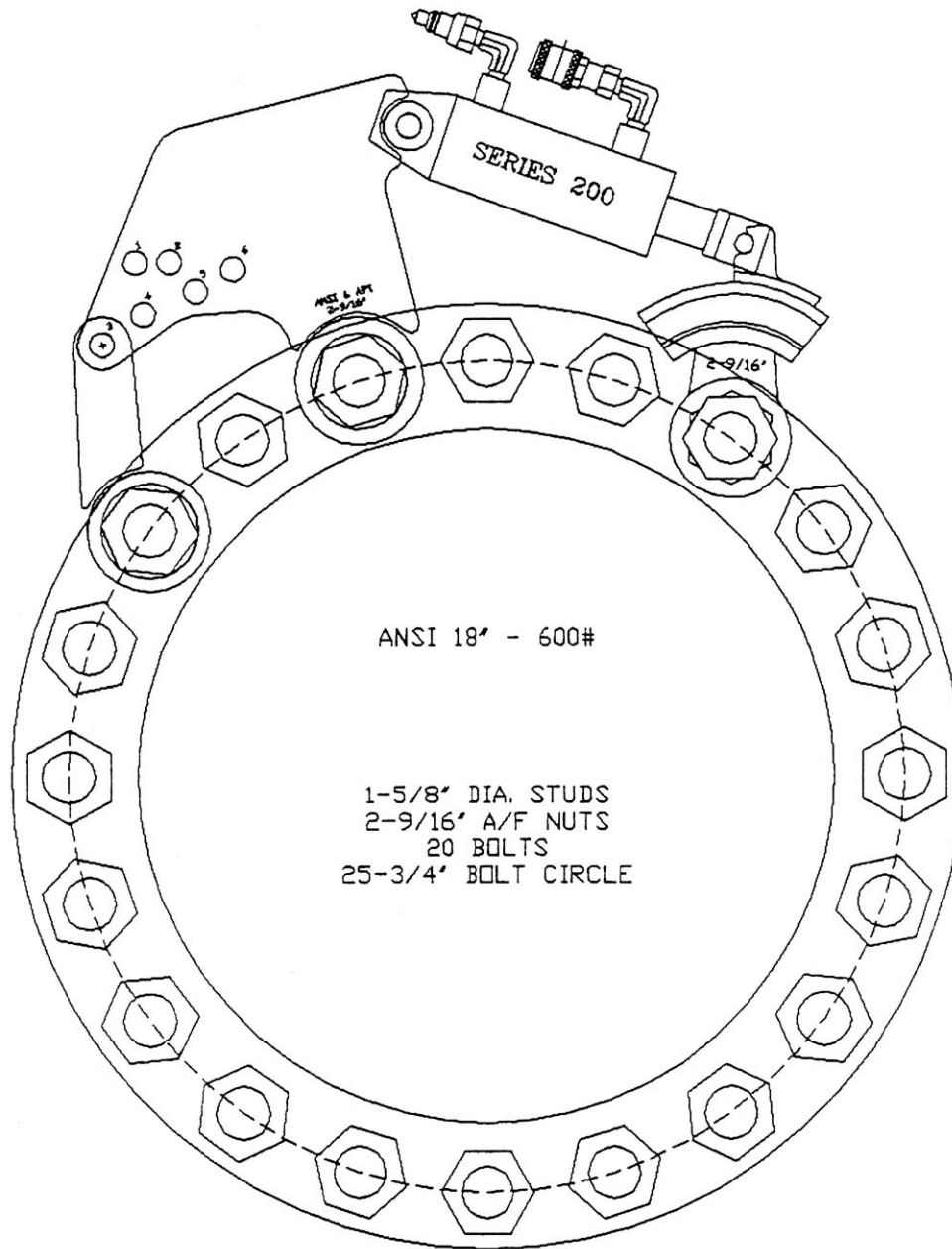
ThinLINE TLH209-6



Suggested Torque: 2,278 ft-lb
Pressure Setting: 1,450 psi



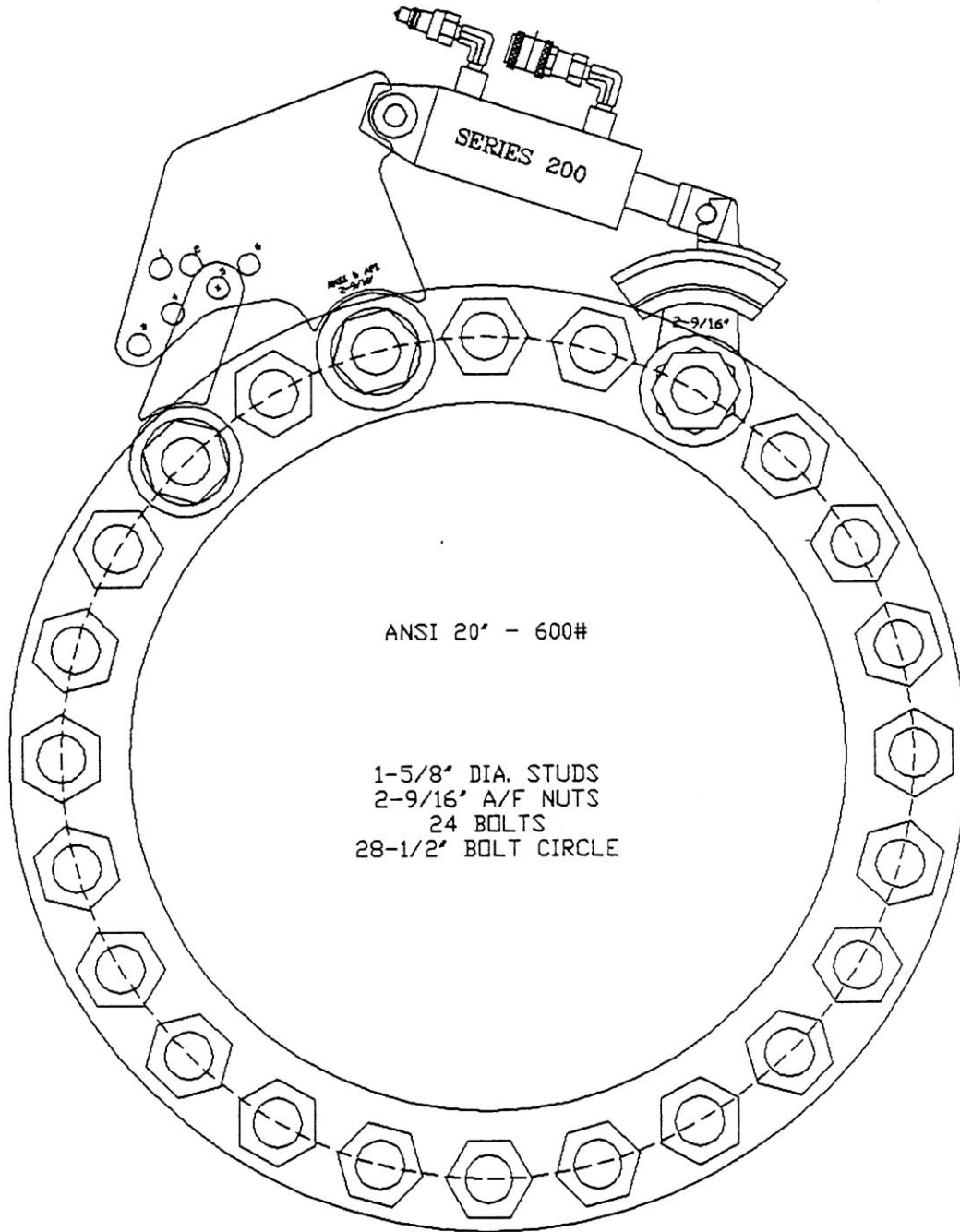
ThinLINE TLH209-6



Suggested Torque: 2,278 ft-lb
Pressure Setting: 1,450 psi



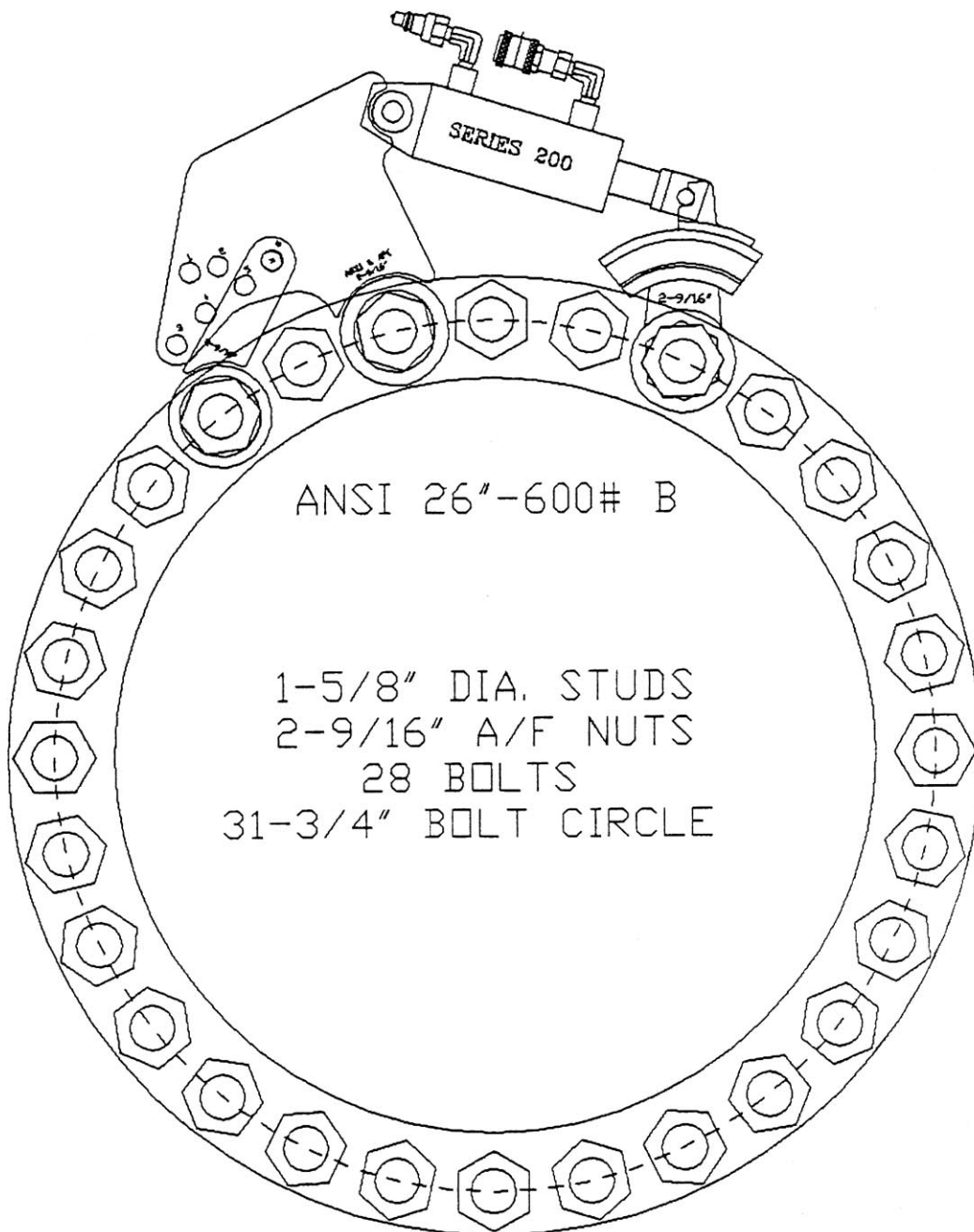
ThinLINE TLH209-6



Suggested Torque: 2,278 ft-lb
Pressure Setting: 1,450 psi



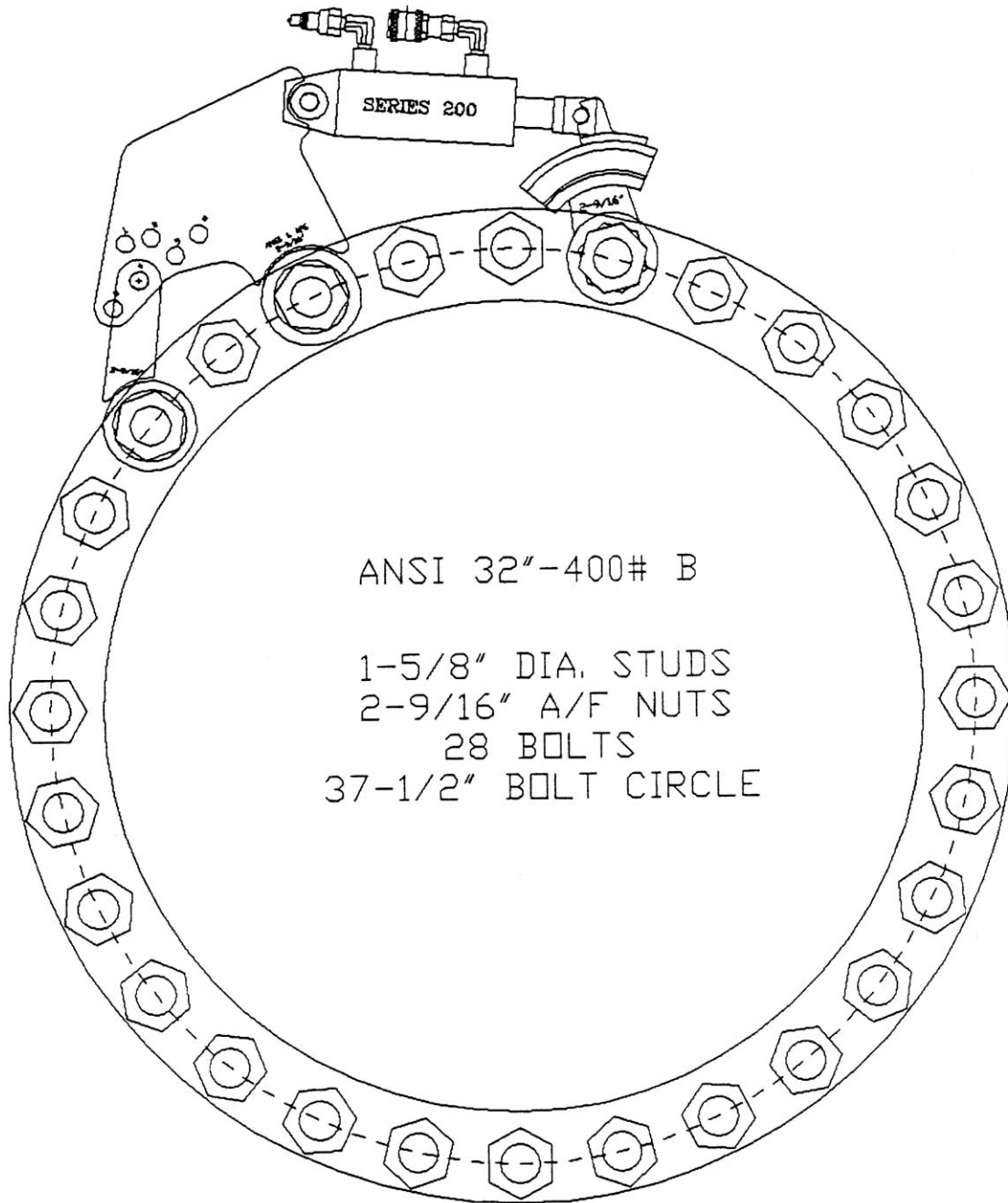
ThinLINE TLH209-6



Suggested Torque: 2,278 ft-lb
Pressure Setting: 1,450 psi



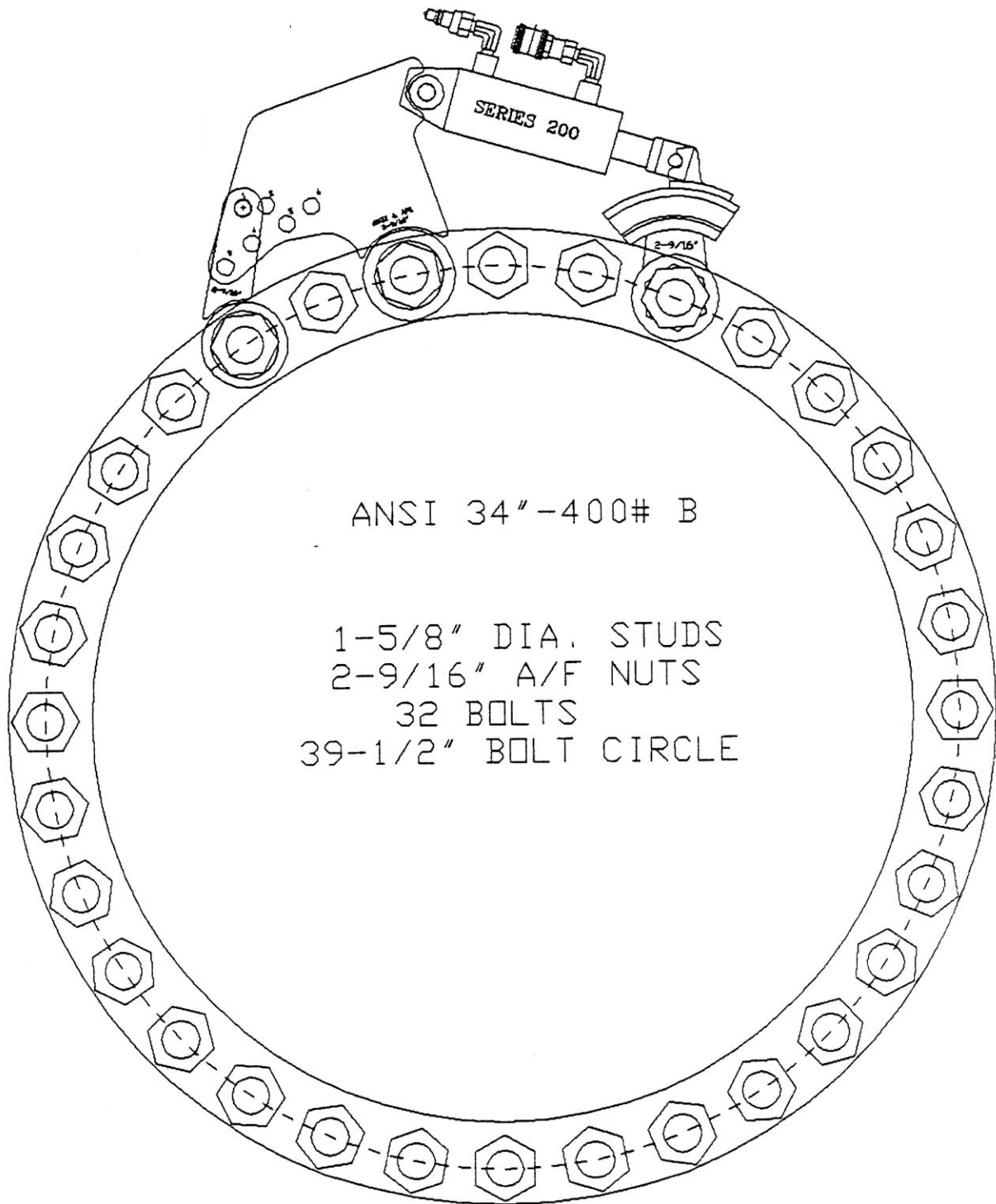
ThinLINE TLH209-6



Suggested Torque: 2,278 ft-lb
Pressure Setting: 1,450 psi



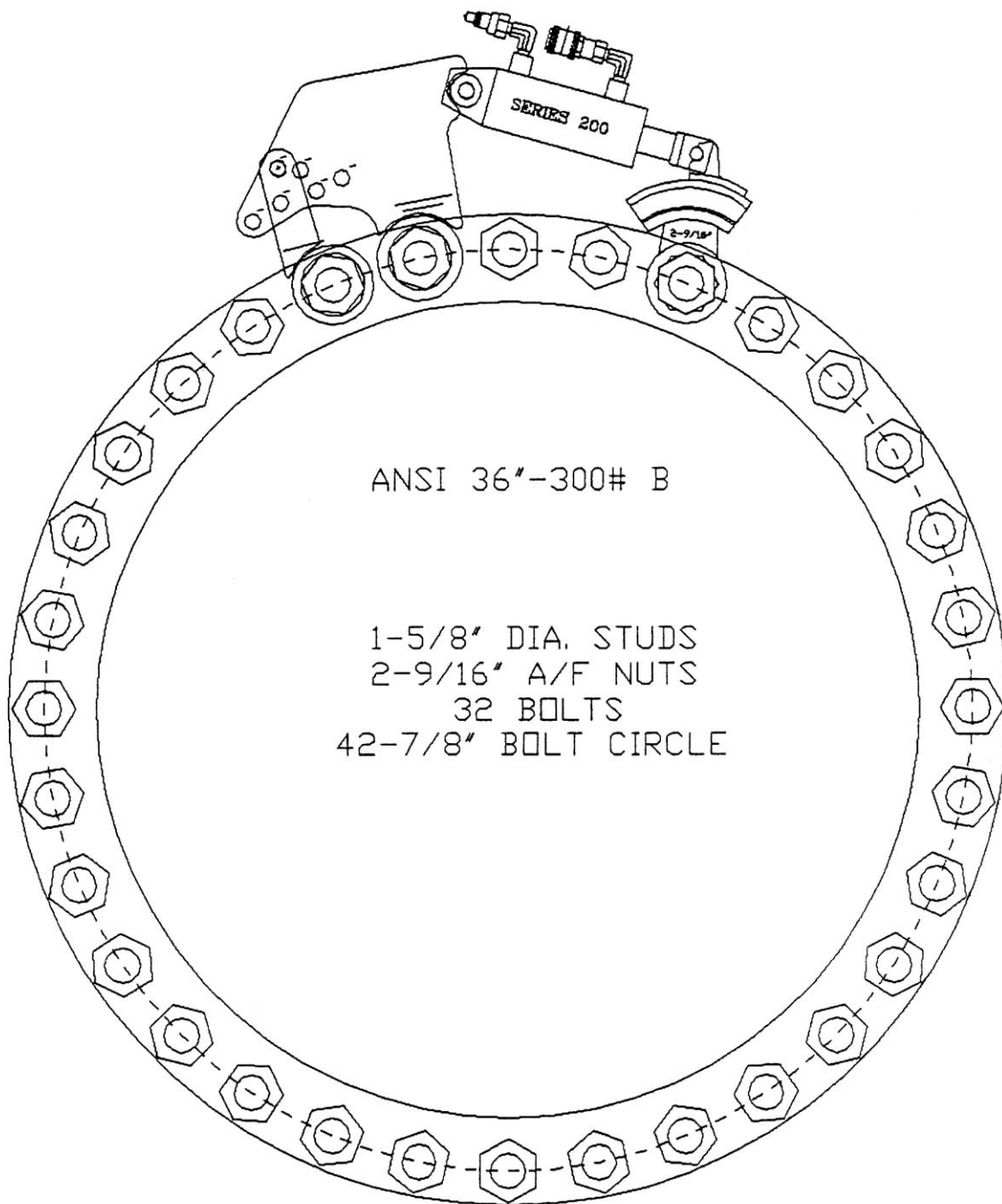
ThinLINE TLH209-6



Suggested Torque: 2,278 ft-lb
Pressure Setting: 1,450 psi



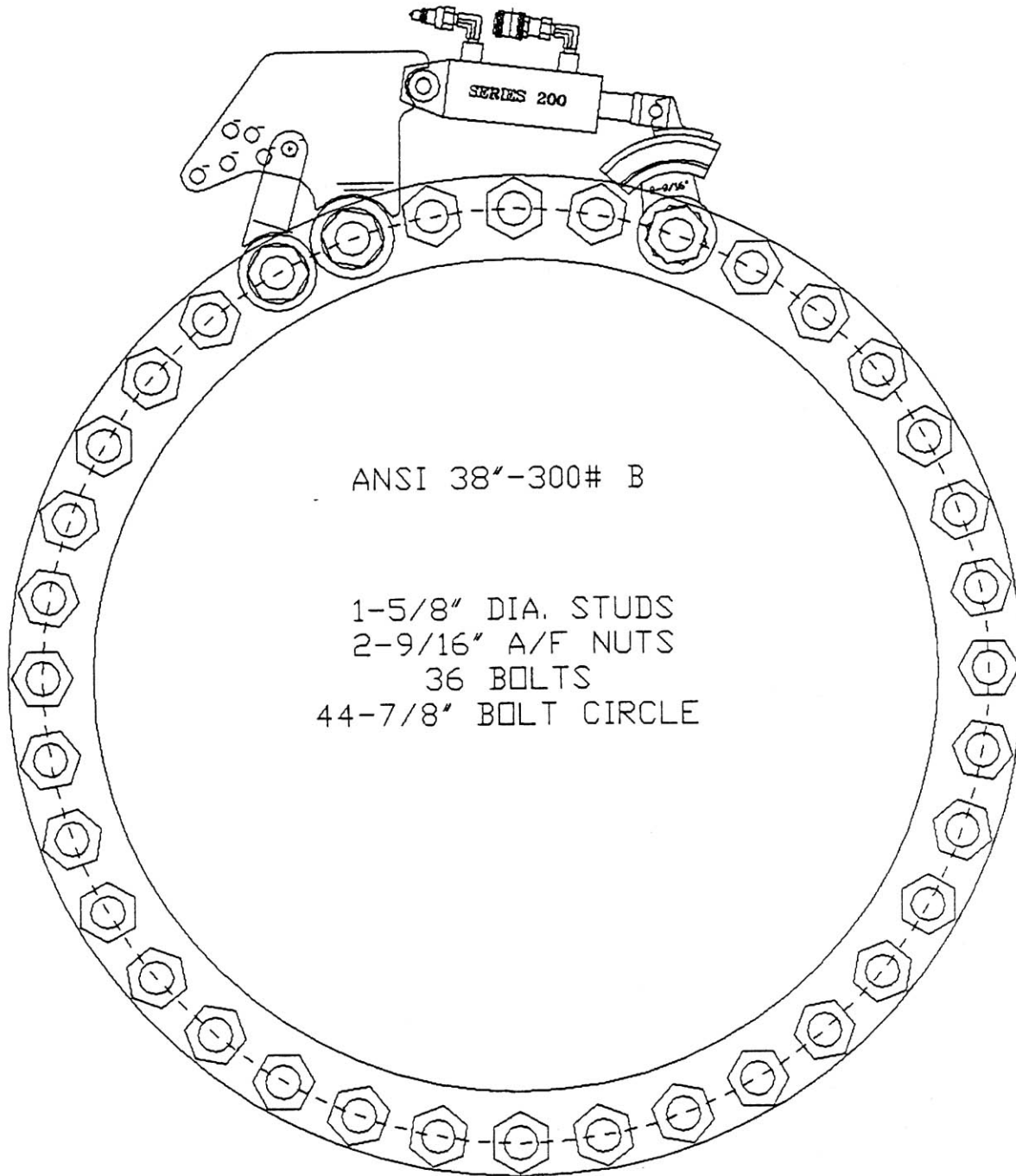
ThinLINE TLH209-6



Suggested Torque: 2,278 ft-lb
Pressure Setting: 1,450 psi



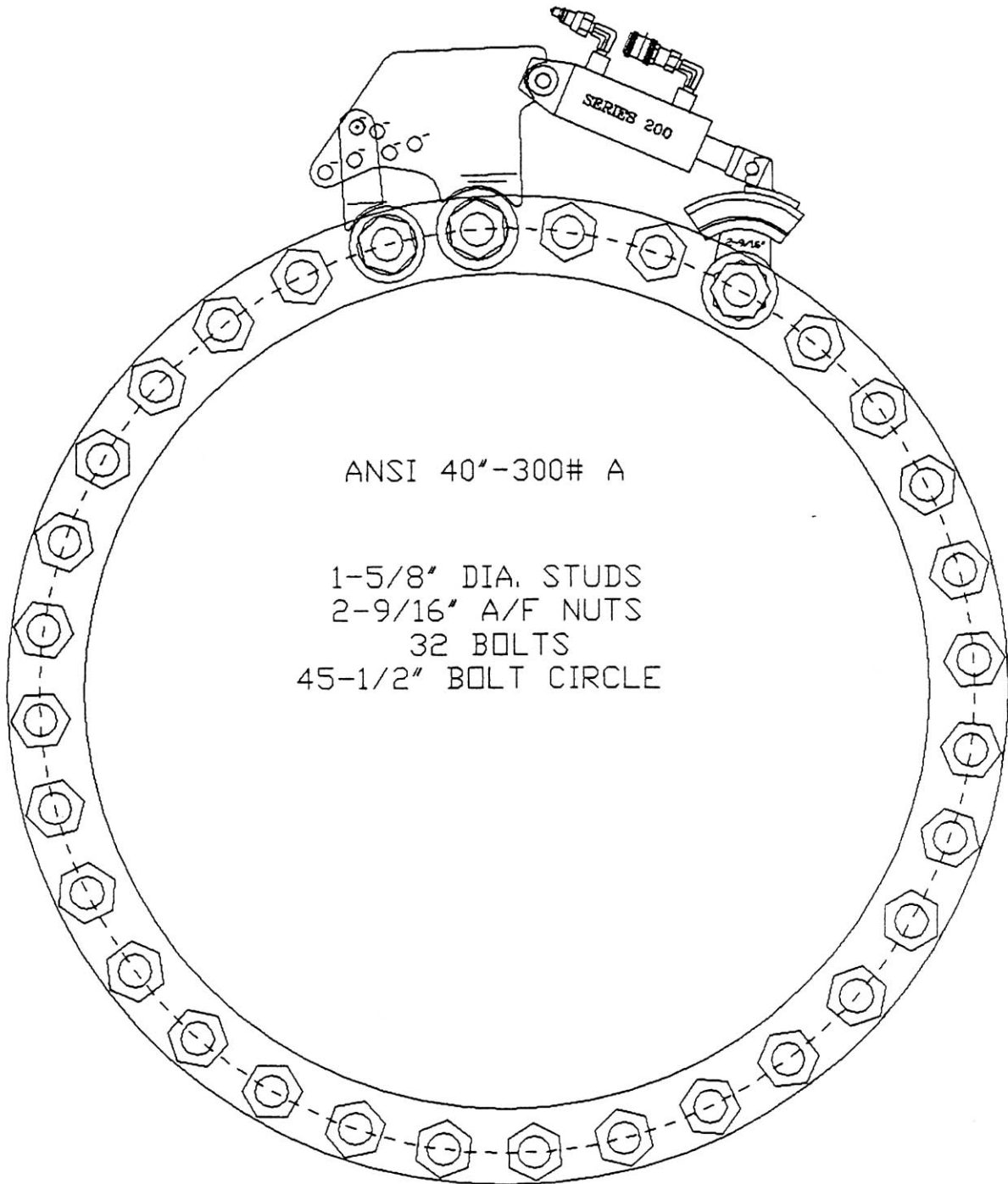
ThinLINE TLH209-6



Suggested Torque: 2,278 ft-lb
Pressure Setting: 1,450 psi



ThinLINE TLH209-6

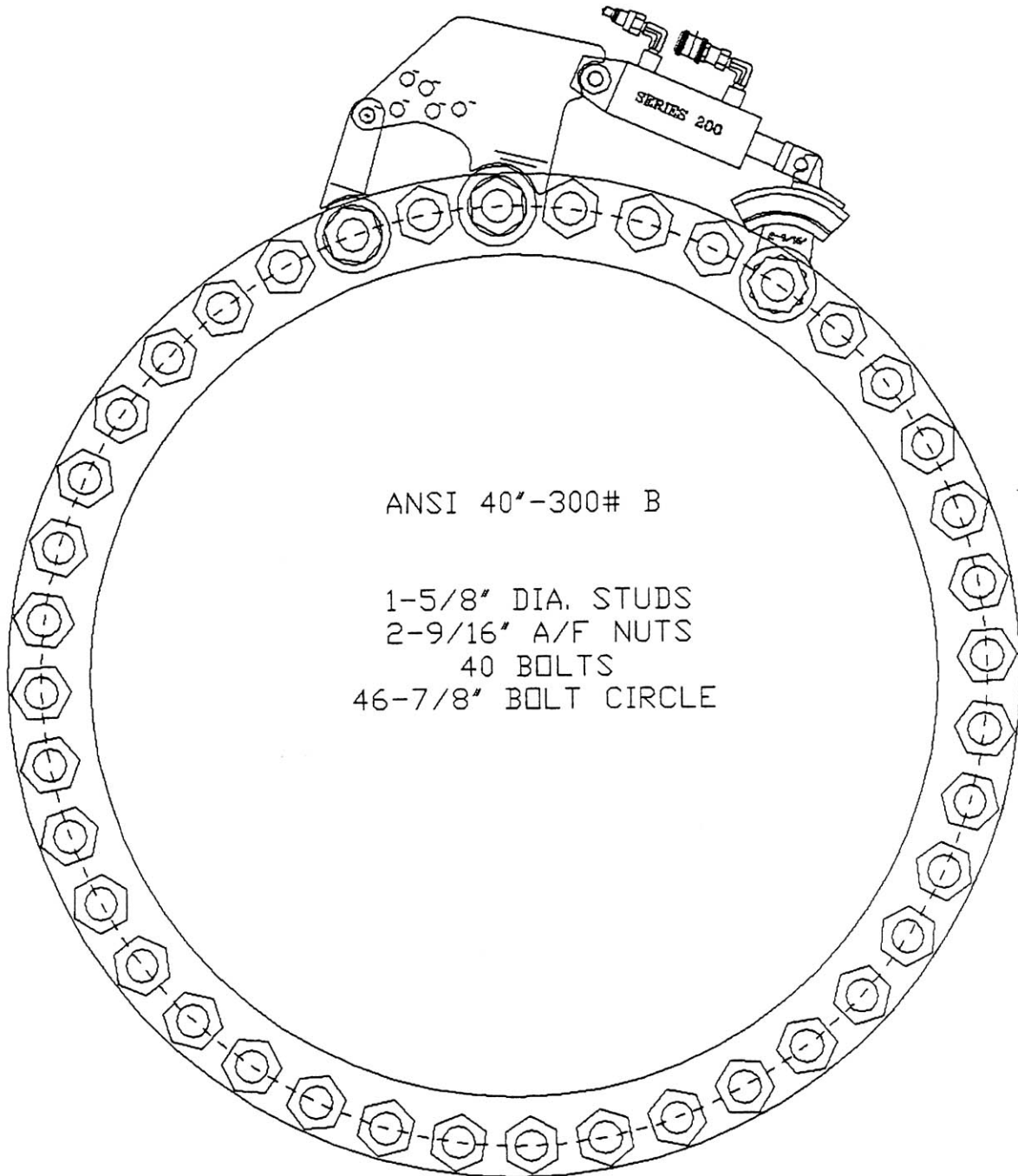


Suggested Torque: 2,278 ft-lb

Pressure Setting: 1,450 psi



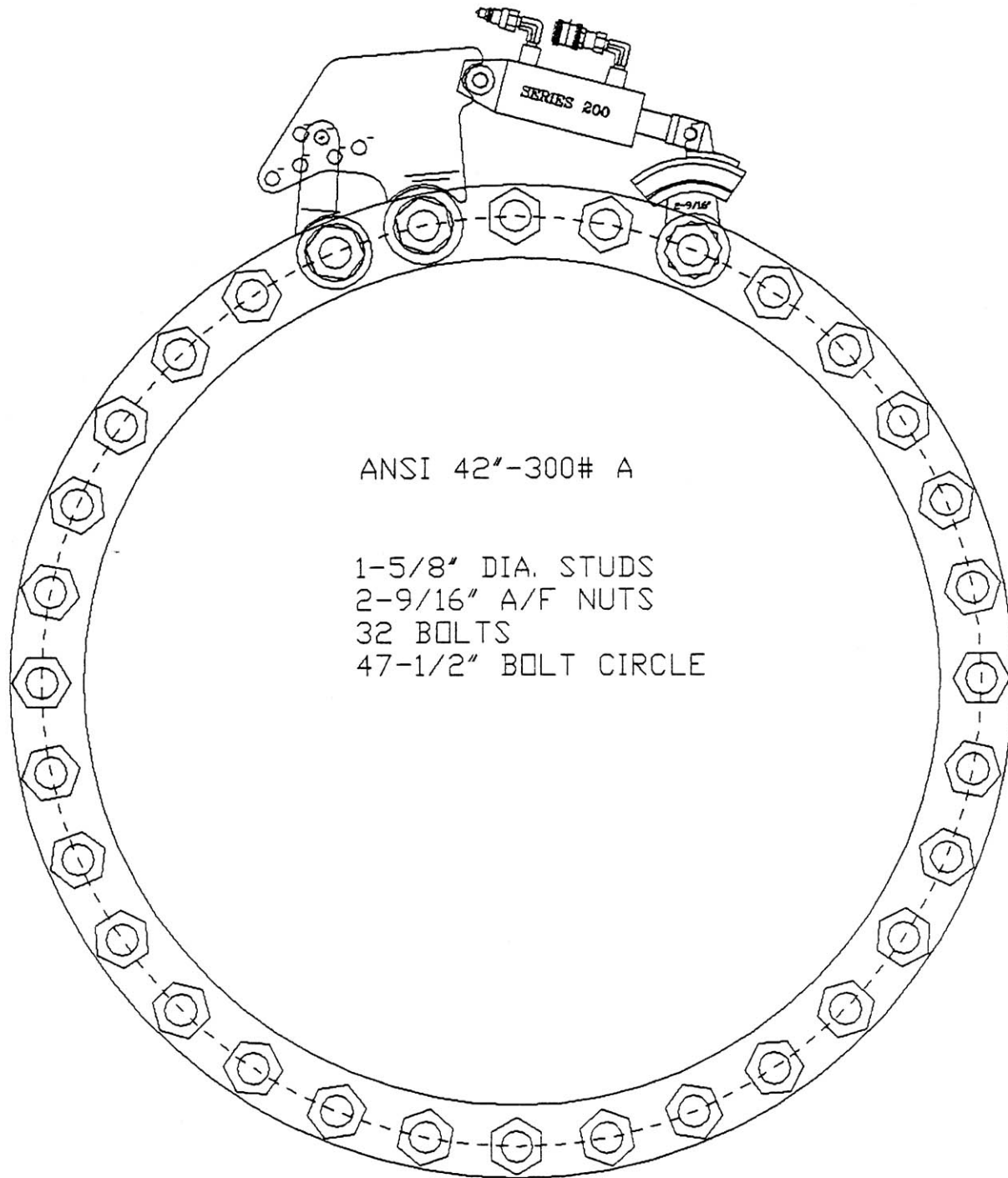
ThinLINE TLH209-6



Suggested Torque: 2,278 ft-lb
Pressure Setting: 1,450 psi



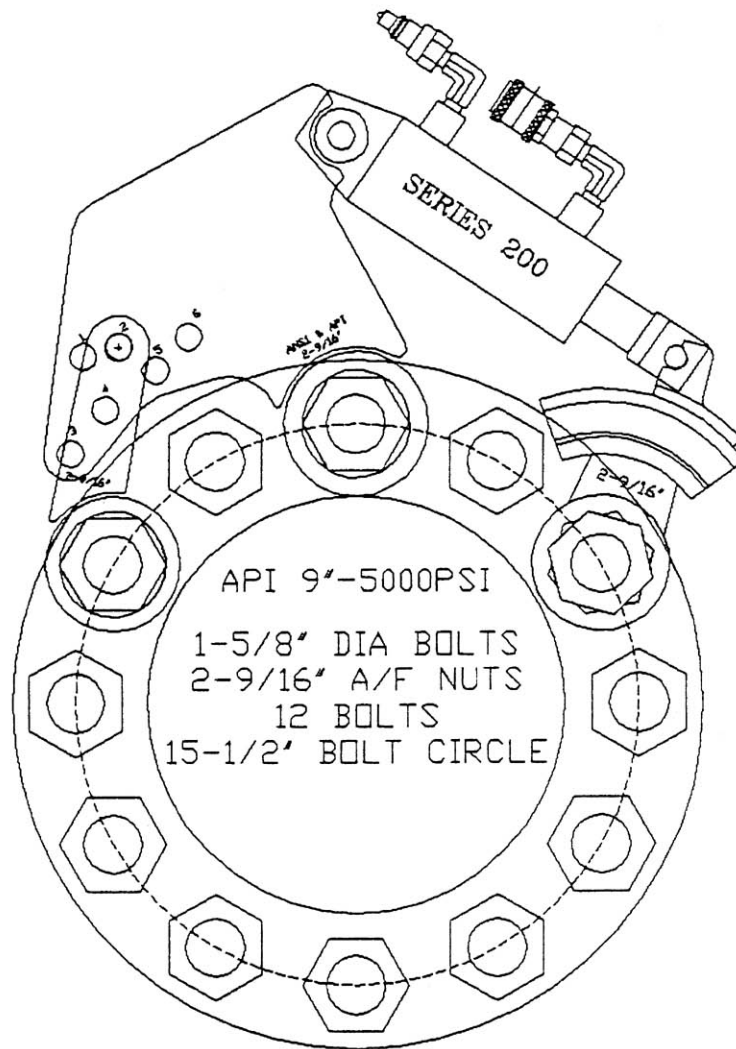
ThinLINE TLH209-6



Suggested Torque: 2,278 ft-lb
Pressure Setting: 1,450 psi



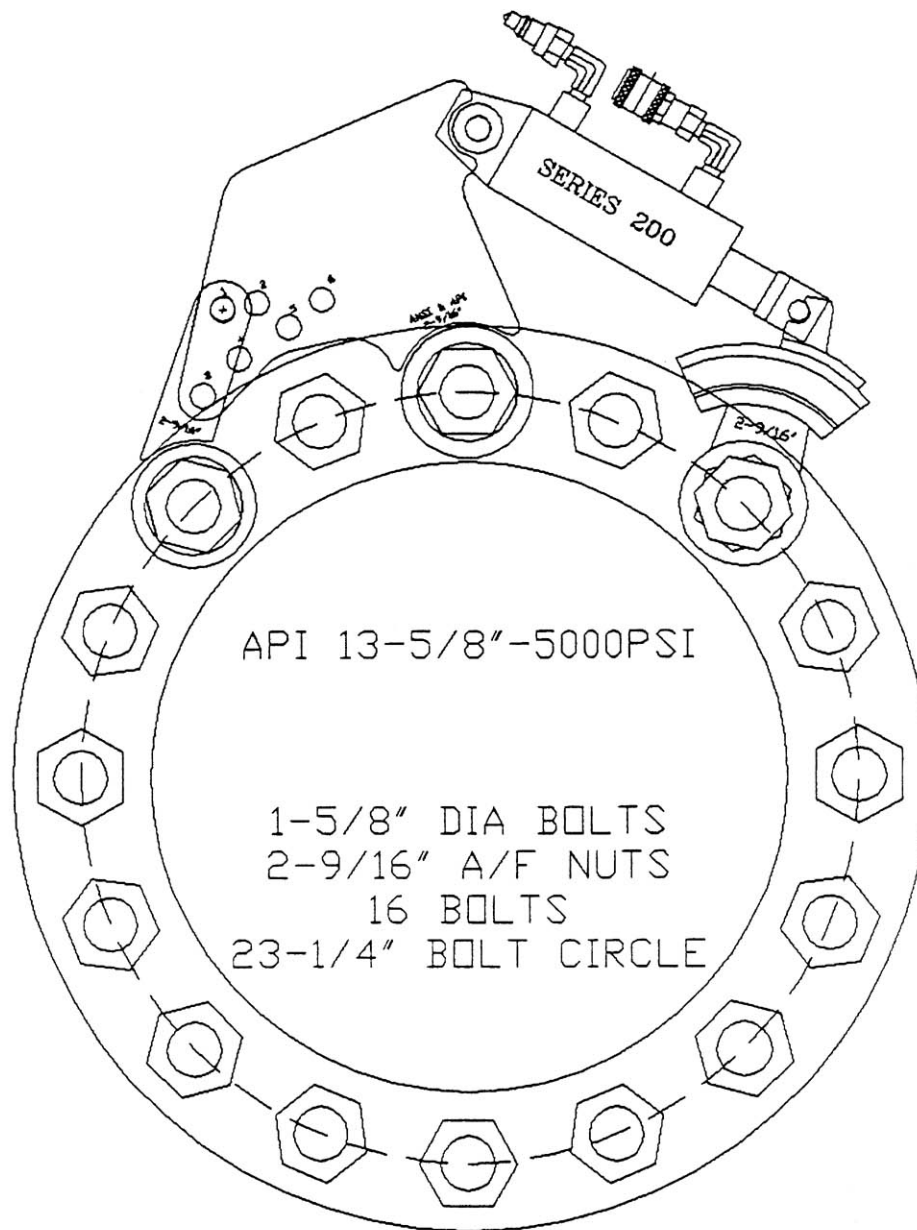
ThinLINE TLH209-6



Suggested Torque: 2,278 ft-lb
Pressure Setting: 1,450 psi



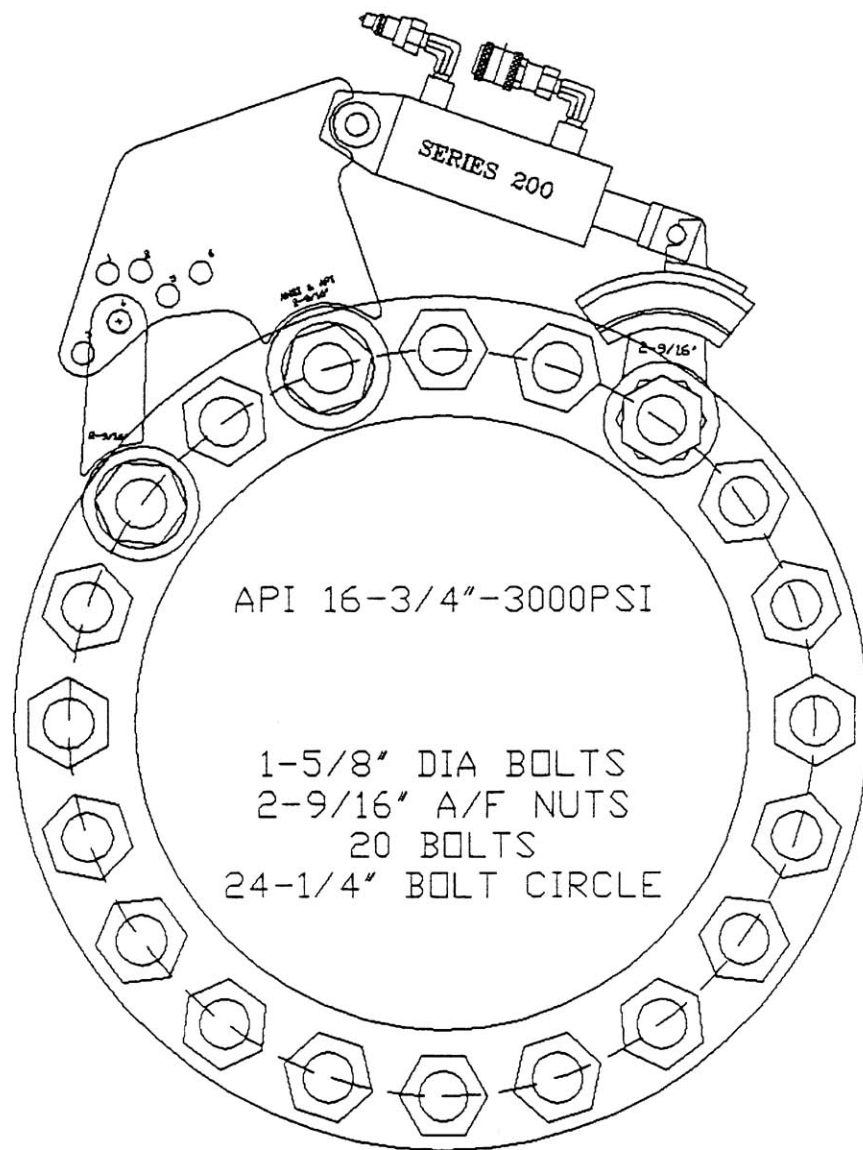
ThinLINE TLH209-6



Suggested Torque: 2,278 ft-lb
Pressure Setting: 1,450 psi



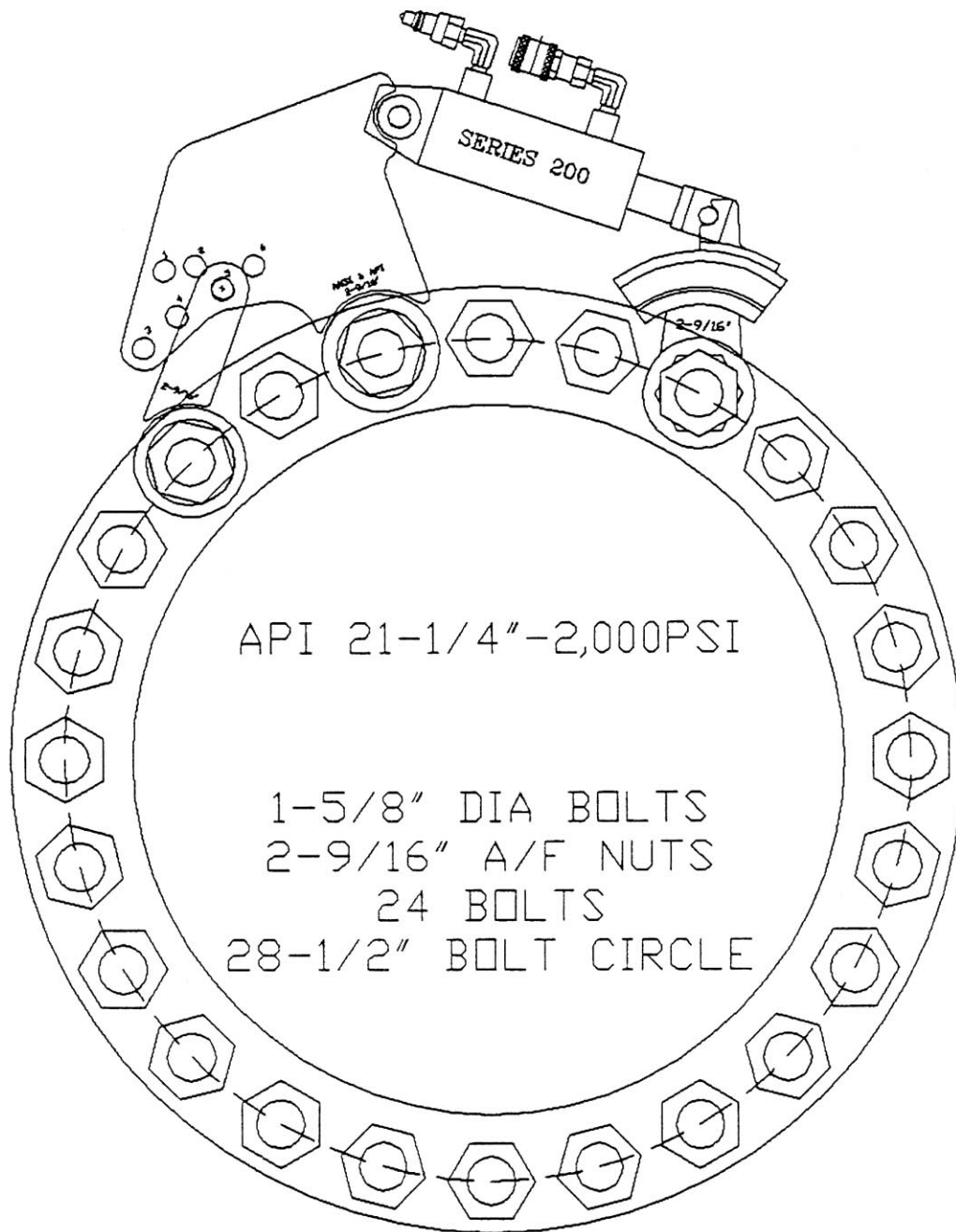
ThinLINE TLH209-6



Suggested Torque: 2,278 ft-lb
Pressure Setting: 1,450 psi



ThinLINE TLH209-6



Suggested Torque: 2,278 ft-lb
Pressure Setting: 1,450 psi

