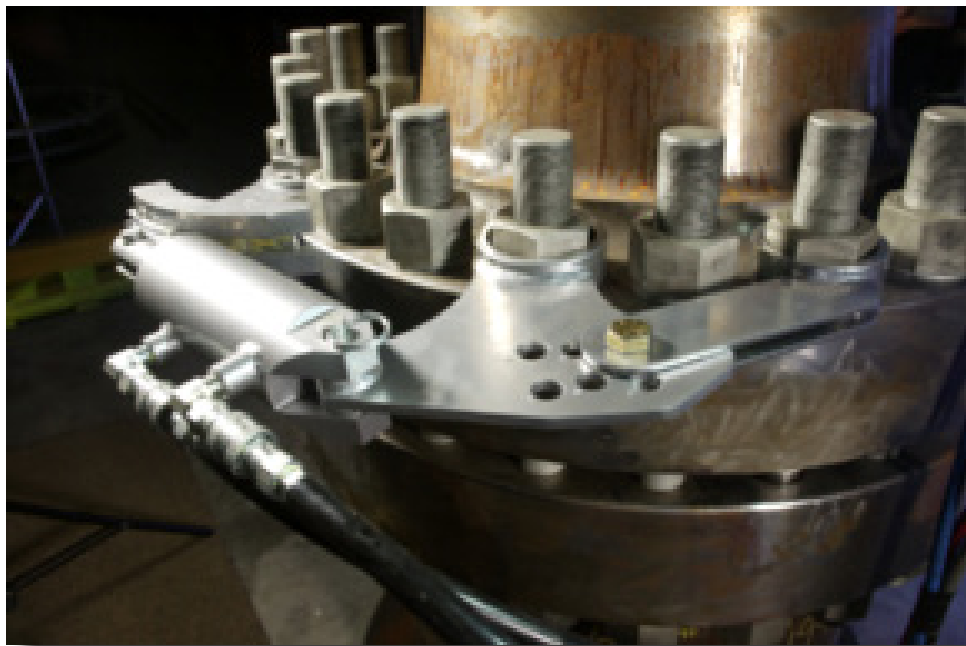


ThinLINE TLH113-4



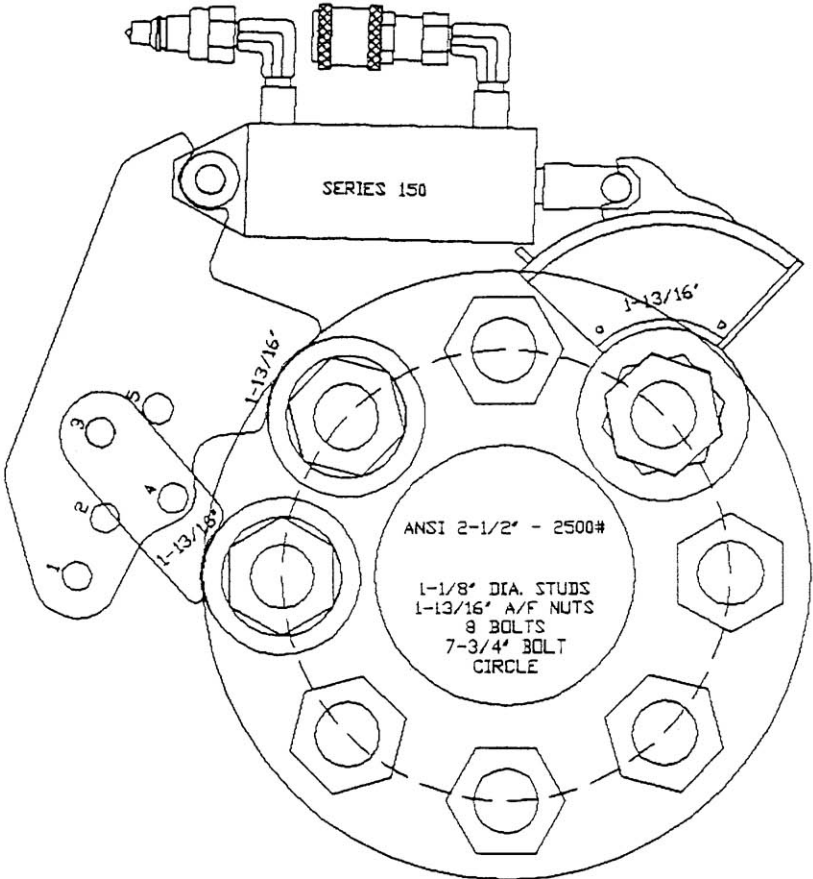
Bolt Patterns Guide

LEADING PROVIDER OF BOLT LOADING & REMOVAL SOLUTIONS

Products and Prices are subject to updates and changes. Please contact us for current quote.

2013

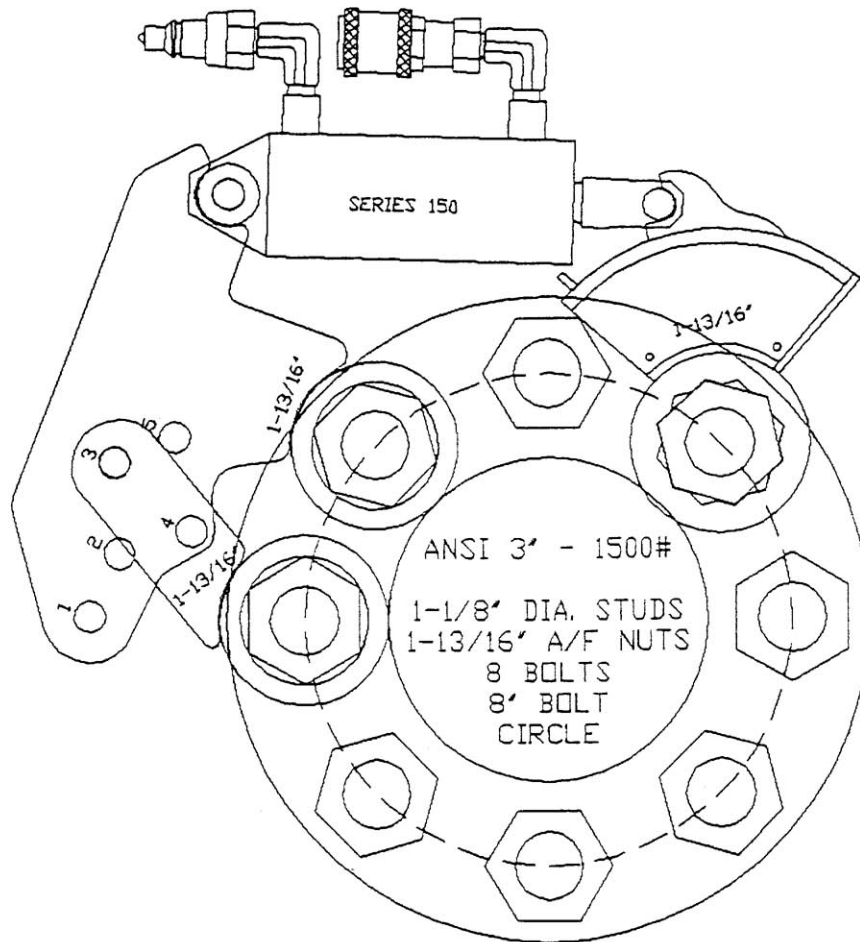
ThinLINE TLH113-4



Suggested Torque: 700 ft-lb
Pressure Setting: 1,170 psi



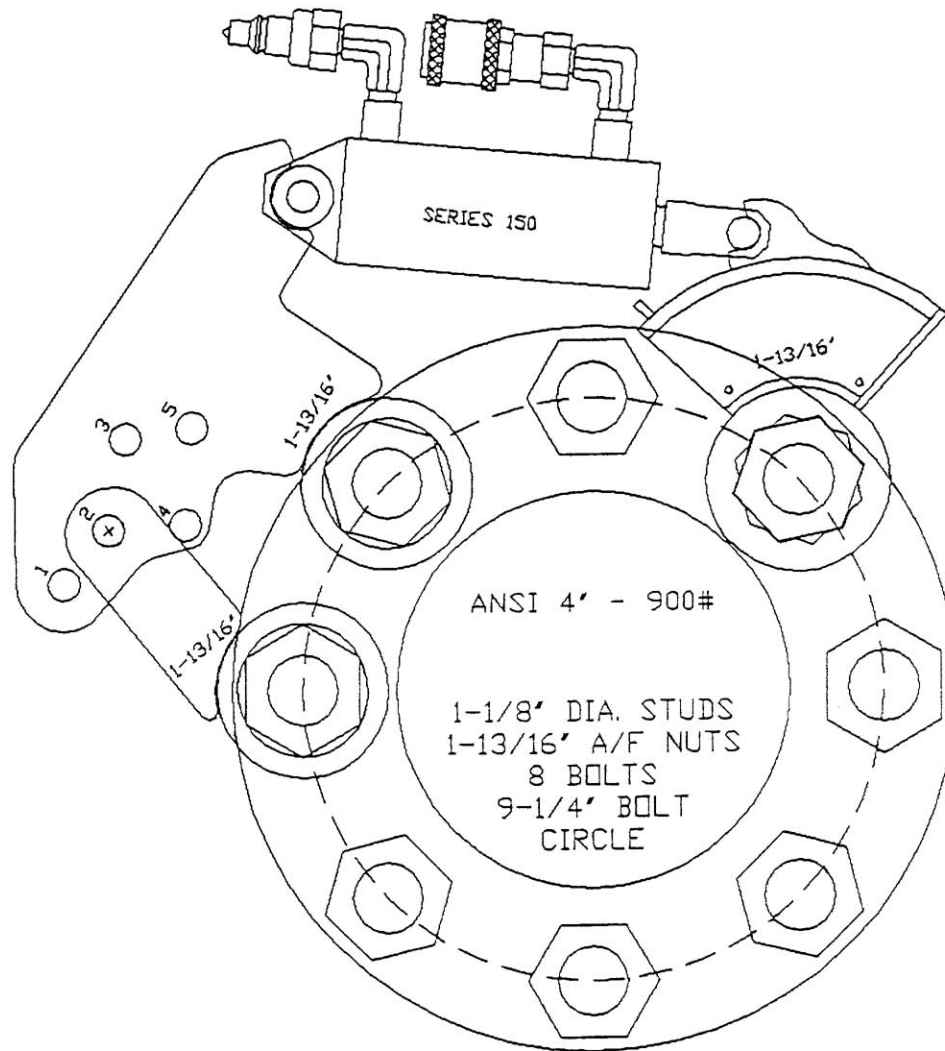
ThinLINE TLH113-4



Suggested Torque: 700 ft-lb
Pressure Setting: 1,170 psi



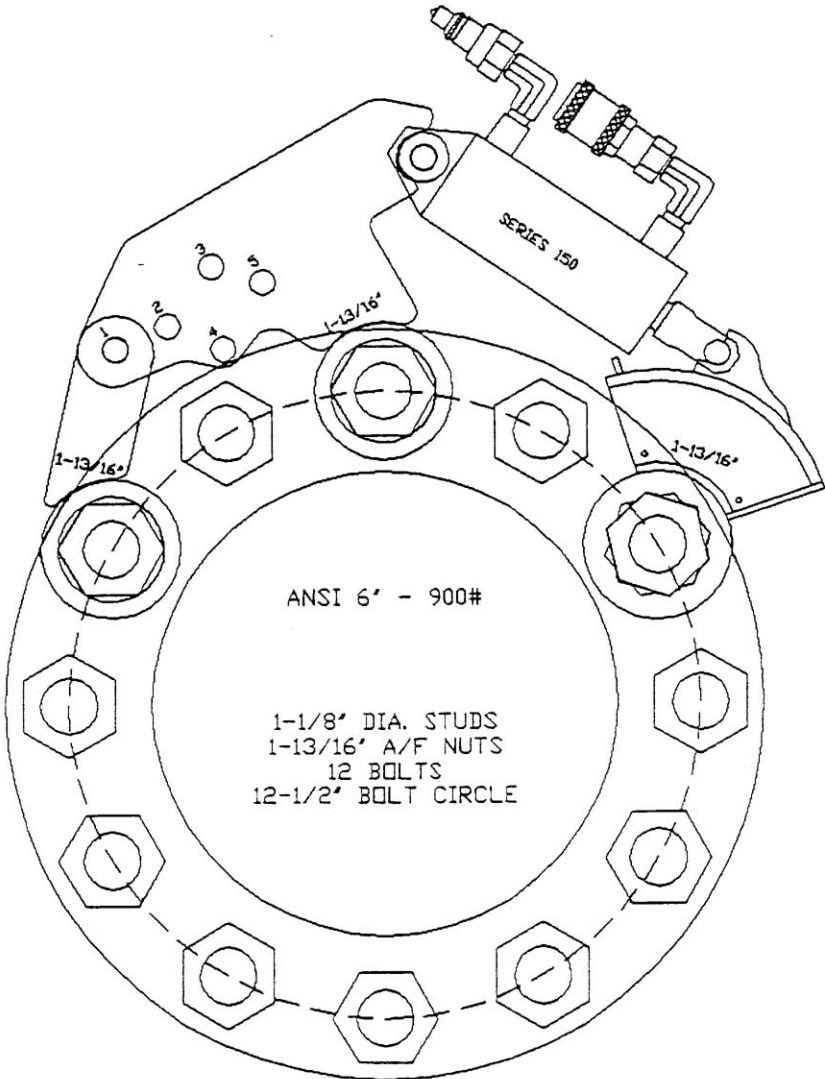
ThinLINE TLH113-4



Suggested Torque: 700 ft-lb
Pressure Setting: 1,170 psi



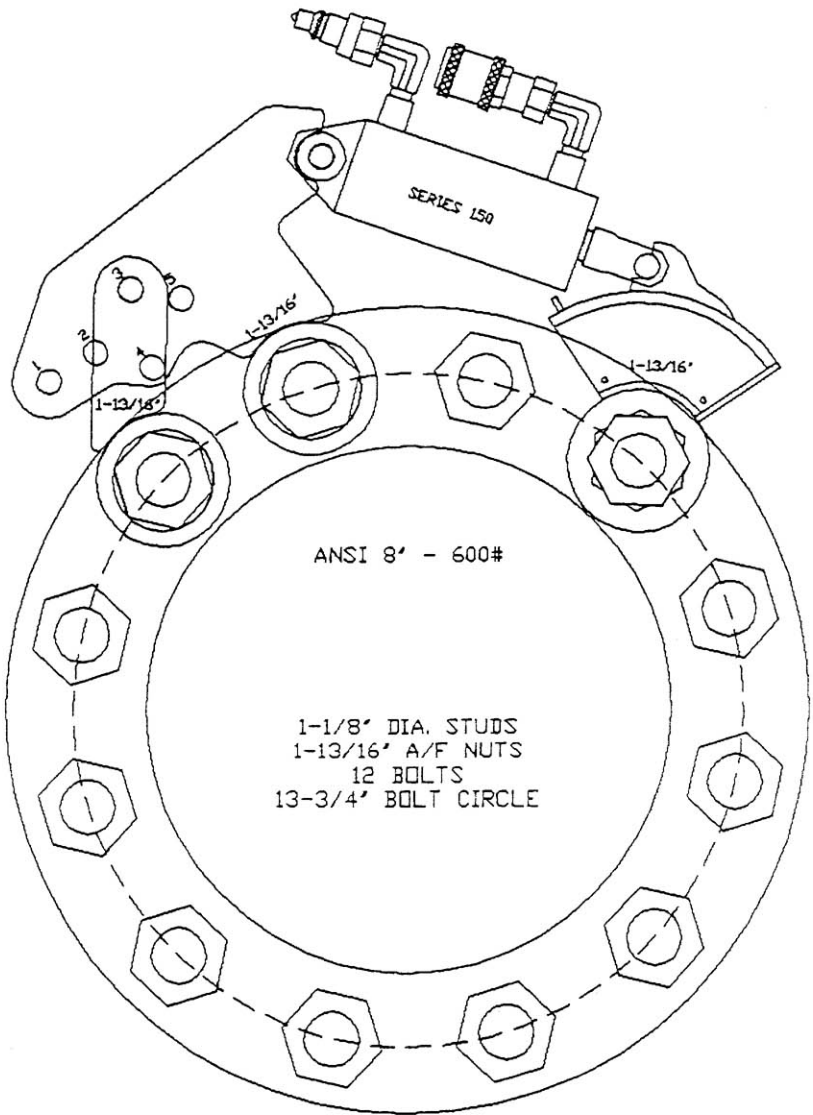
ThinLINE TLH113-4



Suggested Torque: 700 ft-lb
Pressure Setting: 1,170 psi



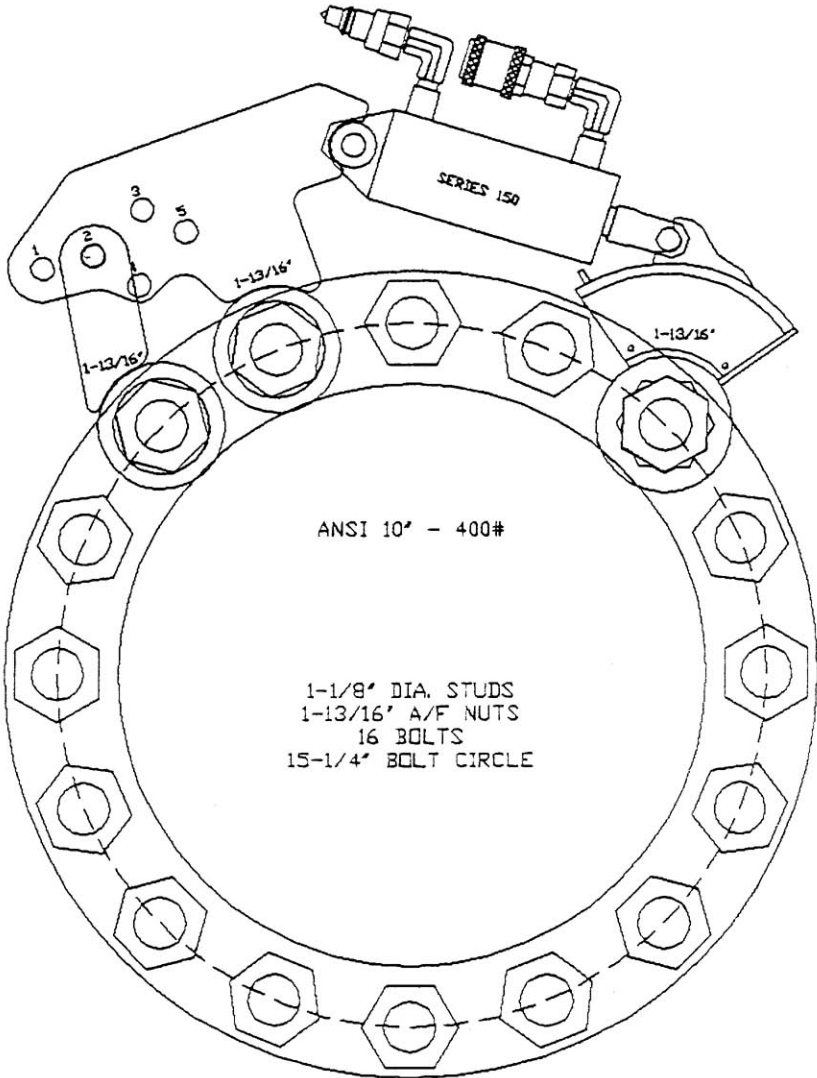
ThinLINE TLH113-4



Suggested Torque: 700 ft-lb
Pressure Setting: 1,170 psi



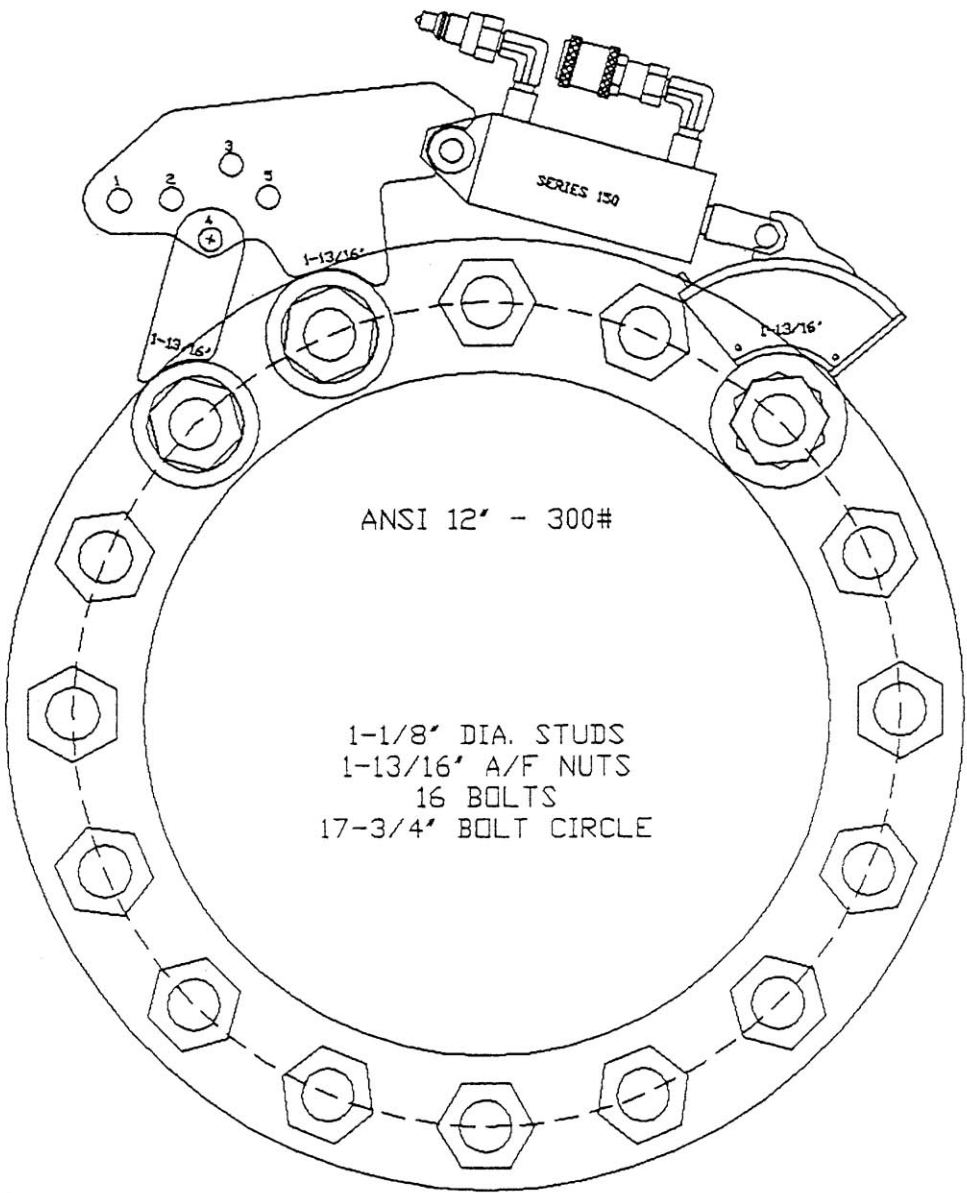
ThinLINE TLH113-4



Suggested Torque: 700 ft-lb
Pressure Setting: 1,170 psi



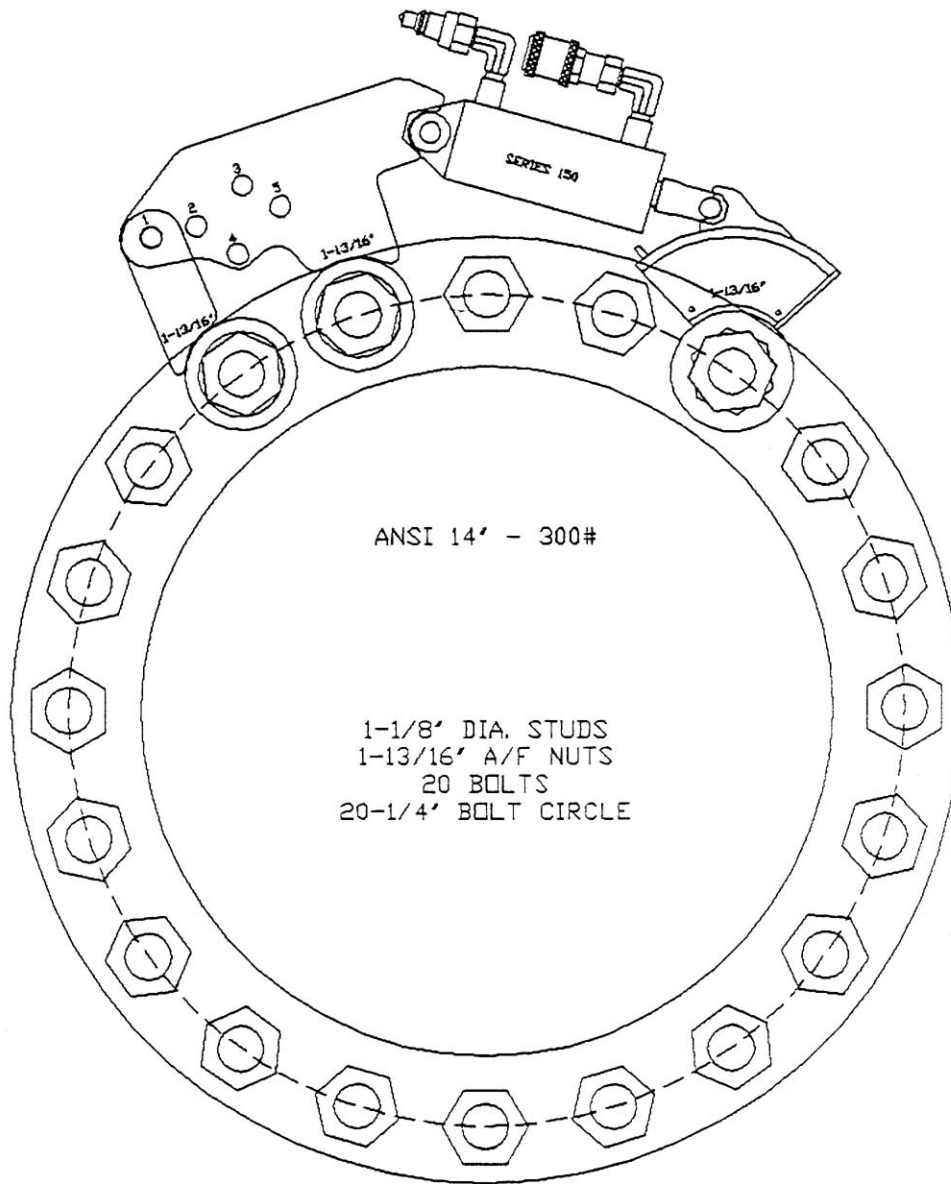
ThinLINE TLH113-4



Suggested Torque: 700 ft-lb
Pressure Setting: 1,170 psi



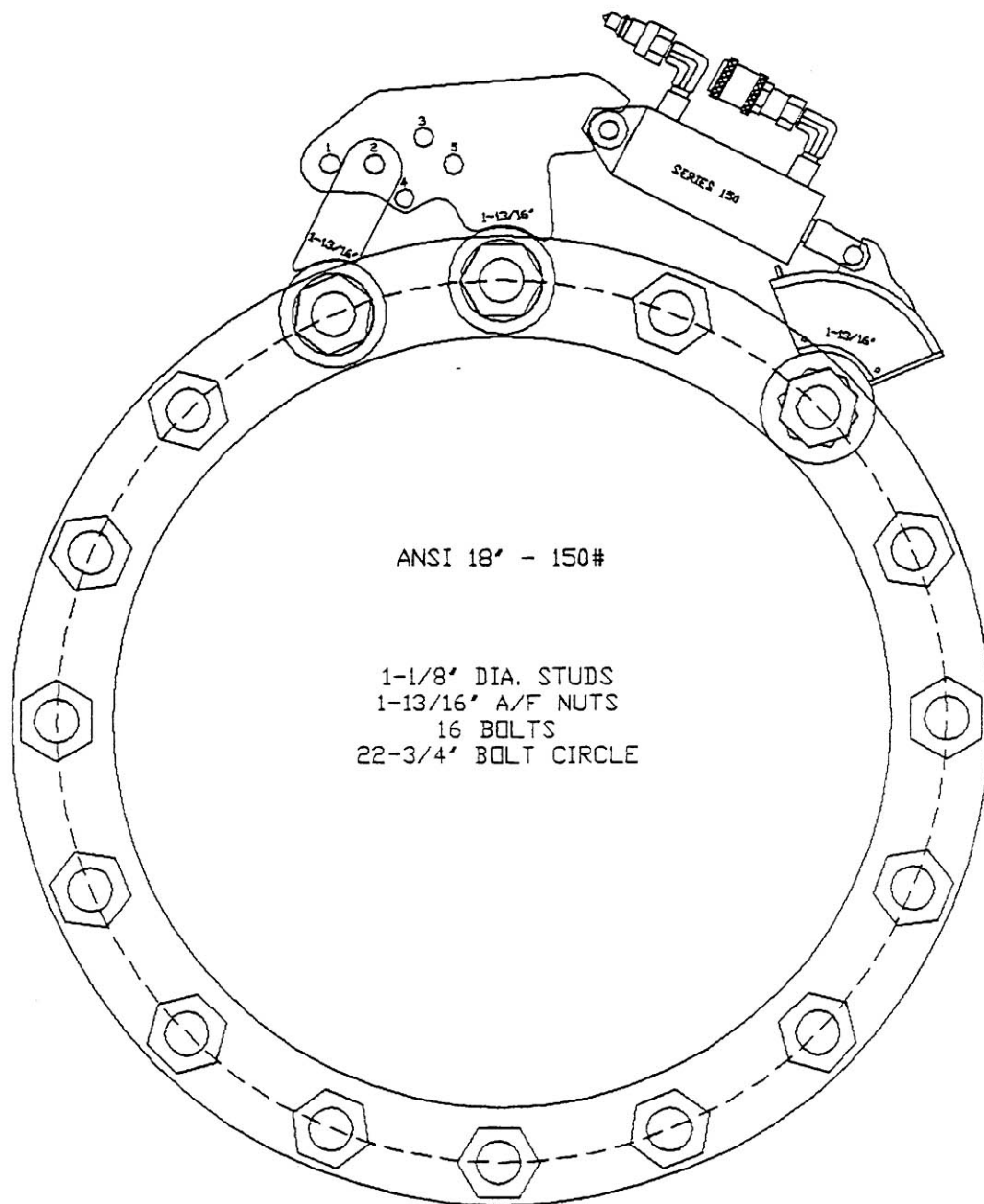
ThinLINE TLH113-4



Suggested Torque: 700 ft-lb
Pressure Setting: 1,170 psi



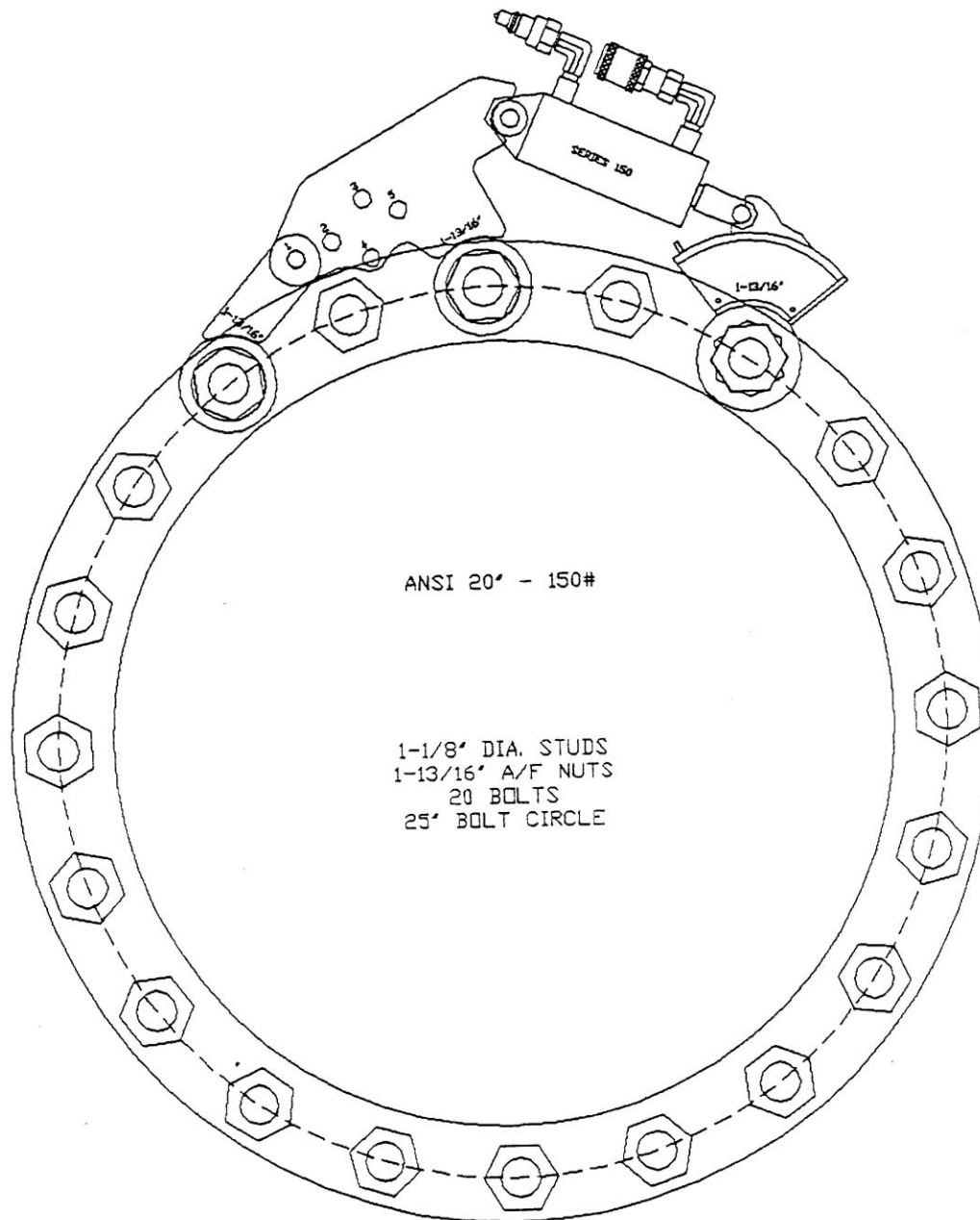
ThinLINE TLH113-4



Suggested Torque: 700 ft-lb
Pressure Setting: 1,170 psi



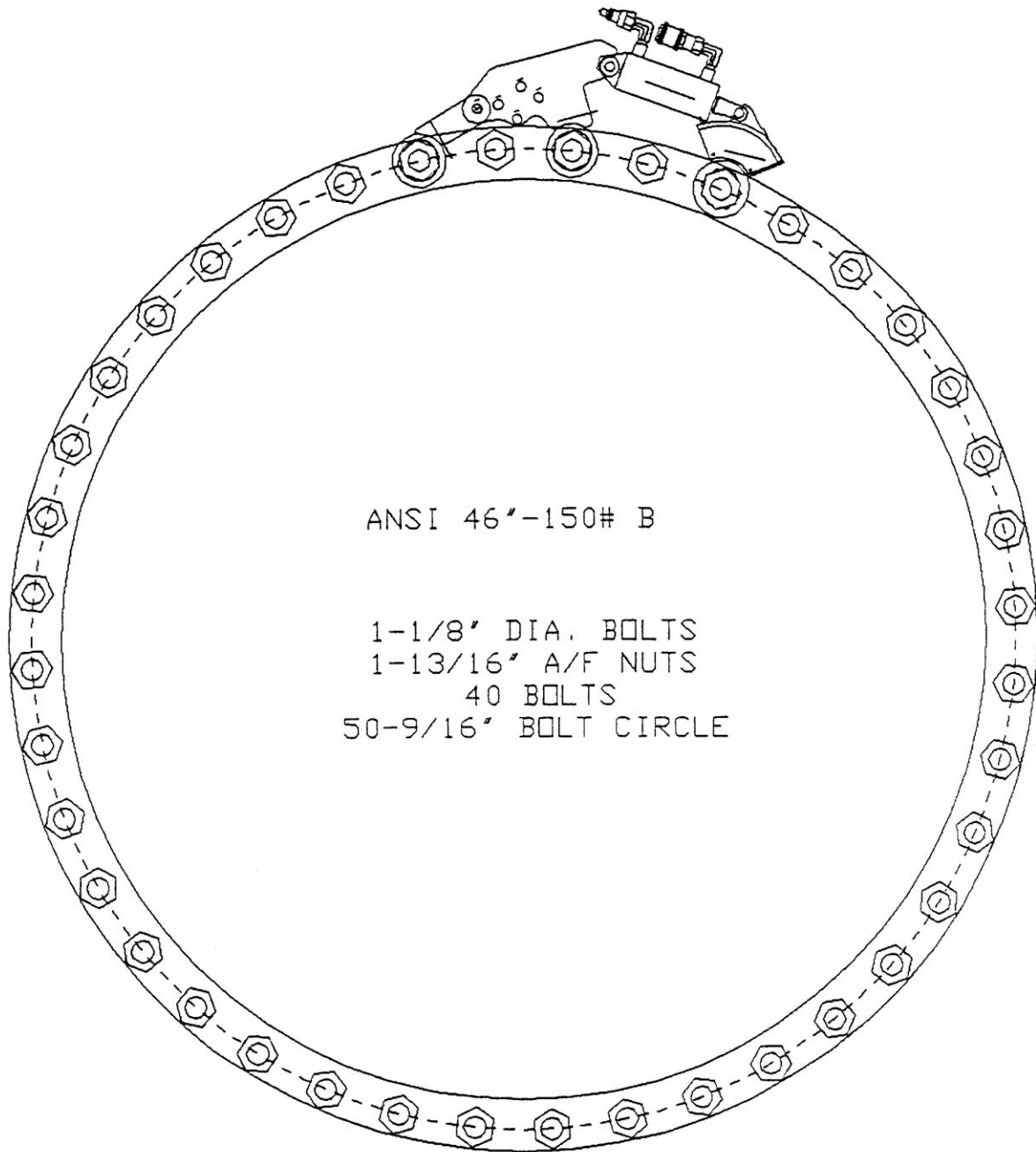
ThinLINE TLH113-4



Suggested Torque: 700 ft-lb
Pressure Setting: 1,170 psi



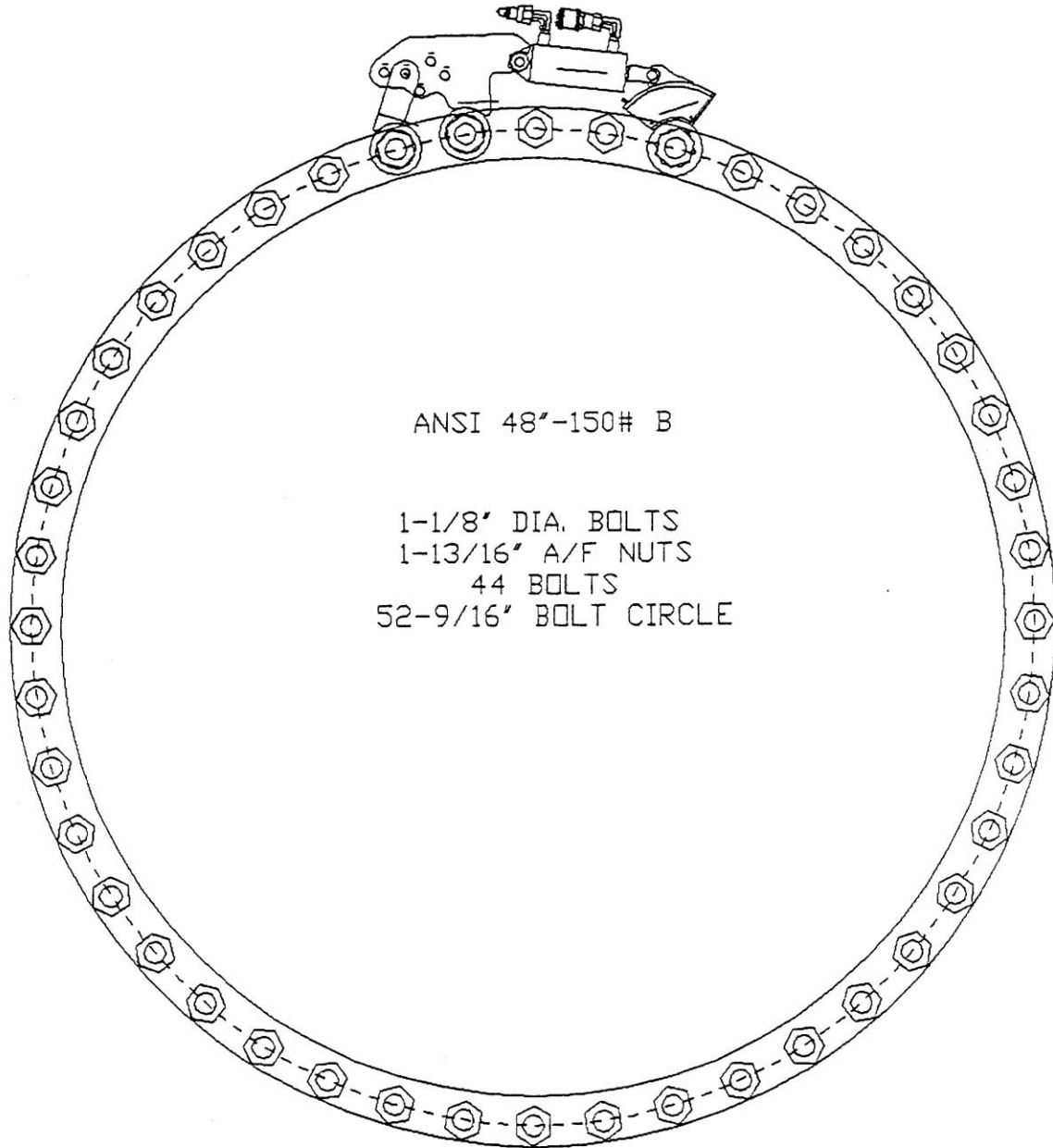
ThinLINE TLH113-4



Suggested Torque: 700 ft-lb
Pressure Setting: 1,170 psi



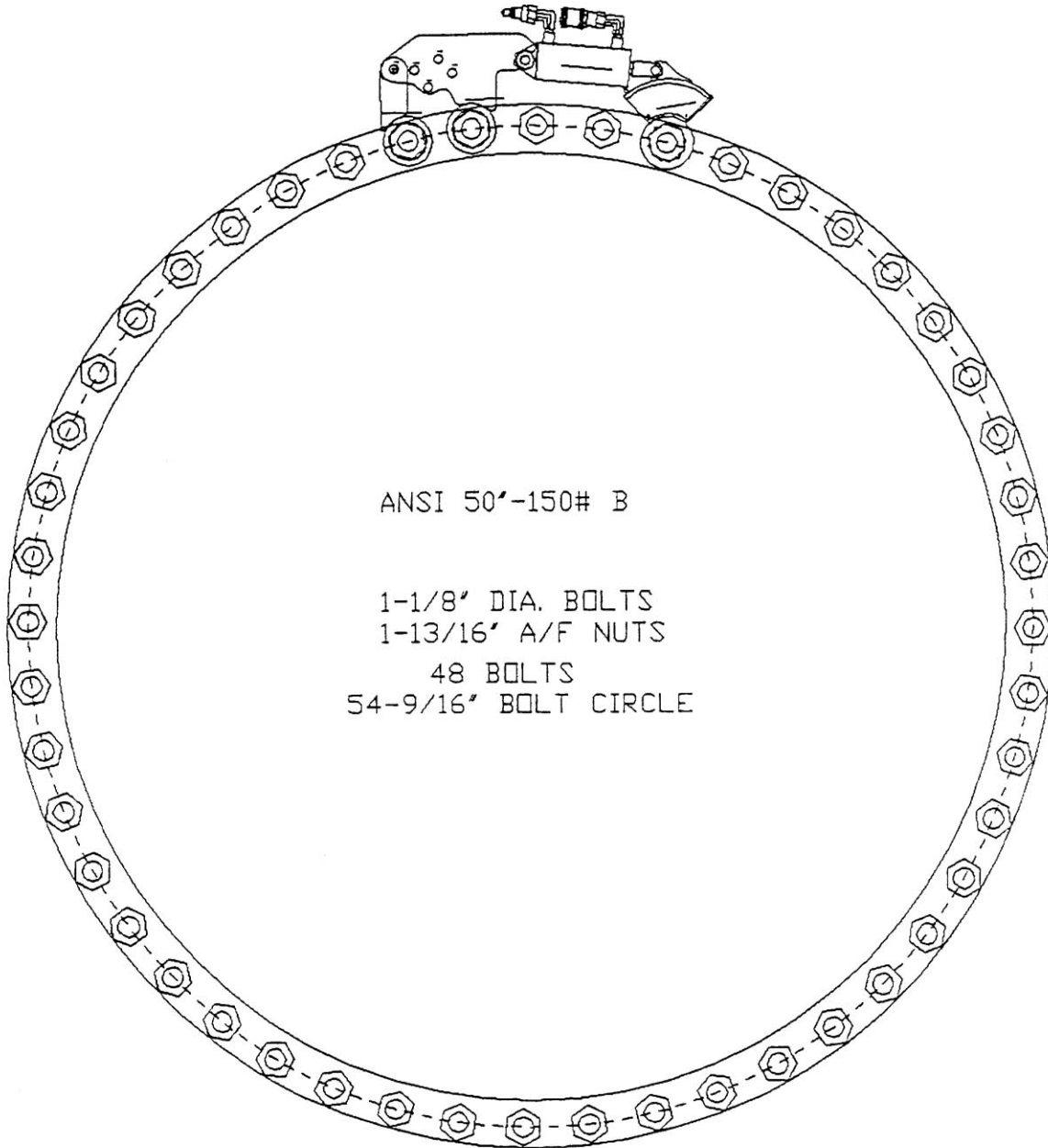
ThinLINE TLH113-4



Suggested Torque: 700 ft-lb
Pressure Setting: 1,170 psi



ThinLINE TLH113-4



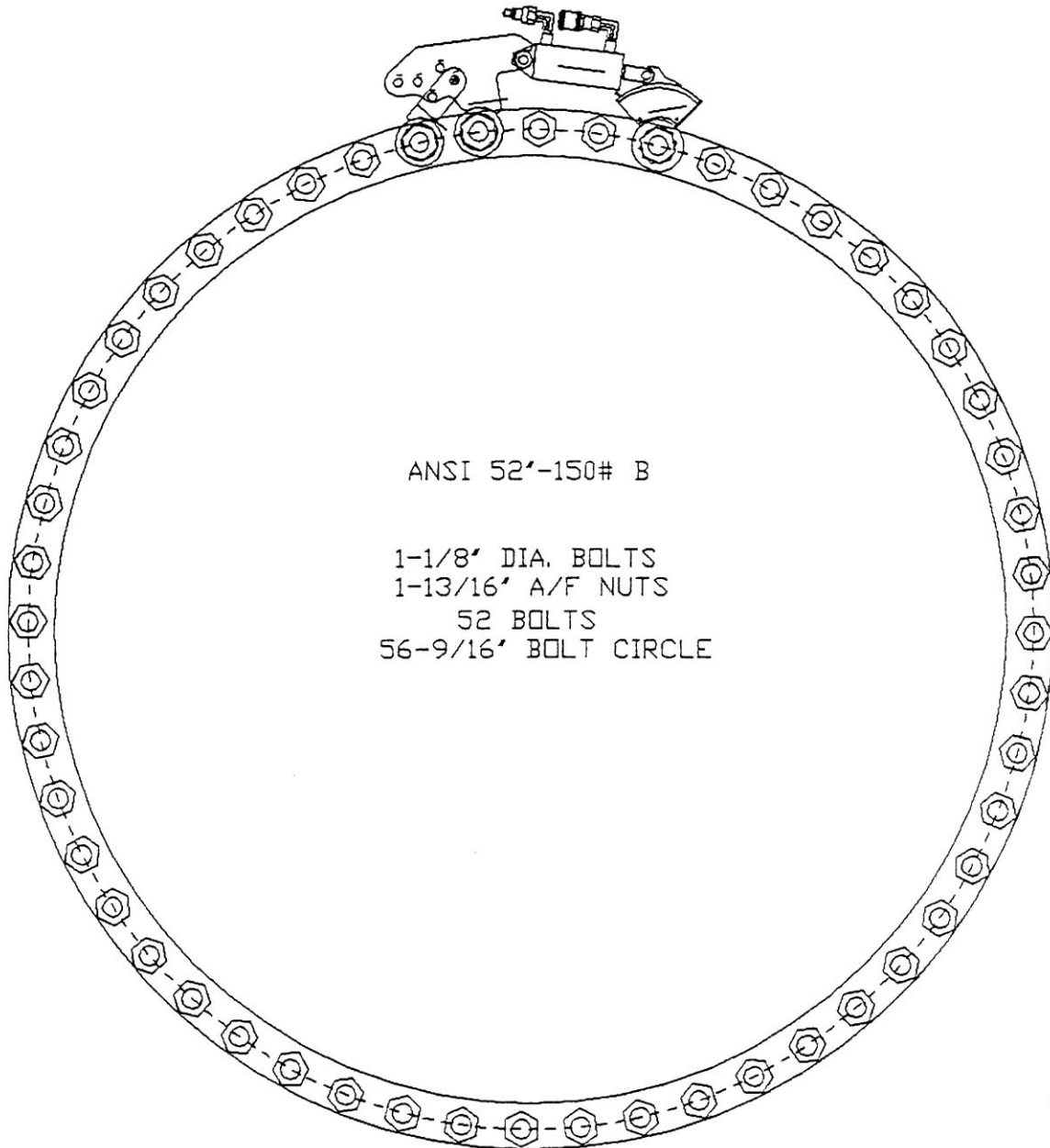
ANSI 50'-150# B

1-1/8" DIA. BOLTS
1-13/16" A/F NUTS
48 BOLTS
54-9/16" BOLT CIRCLE

Suggested Torque: 700 ft-lb
Pressure Setting: 1,170 psi



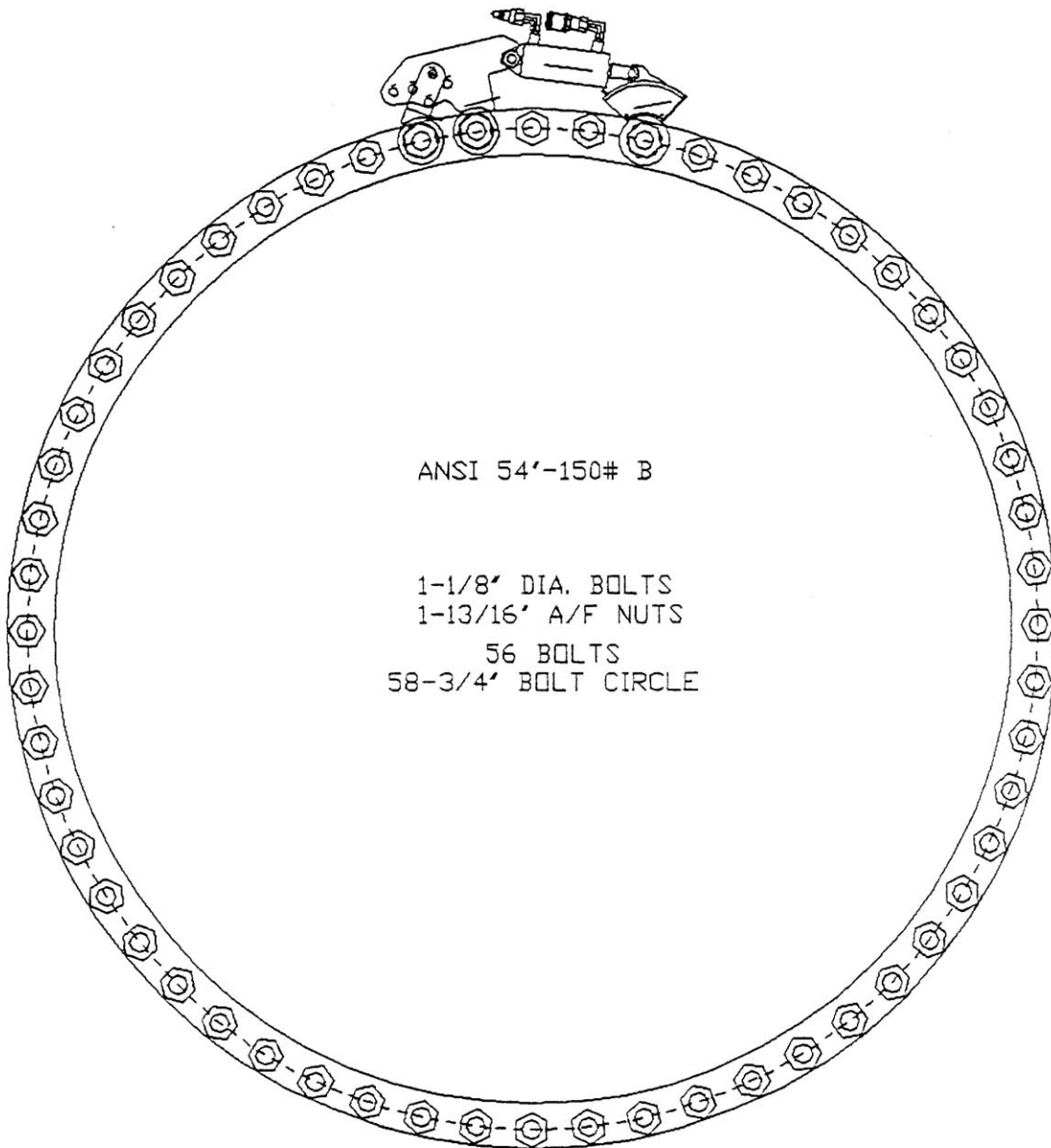
ThinLINE TLH113-4



Suggested Torque: 700 ft-lb
Pressure Setting: 1,170 psi



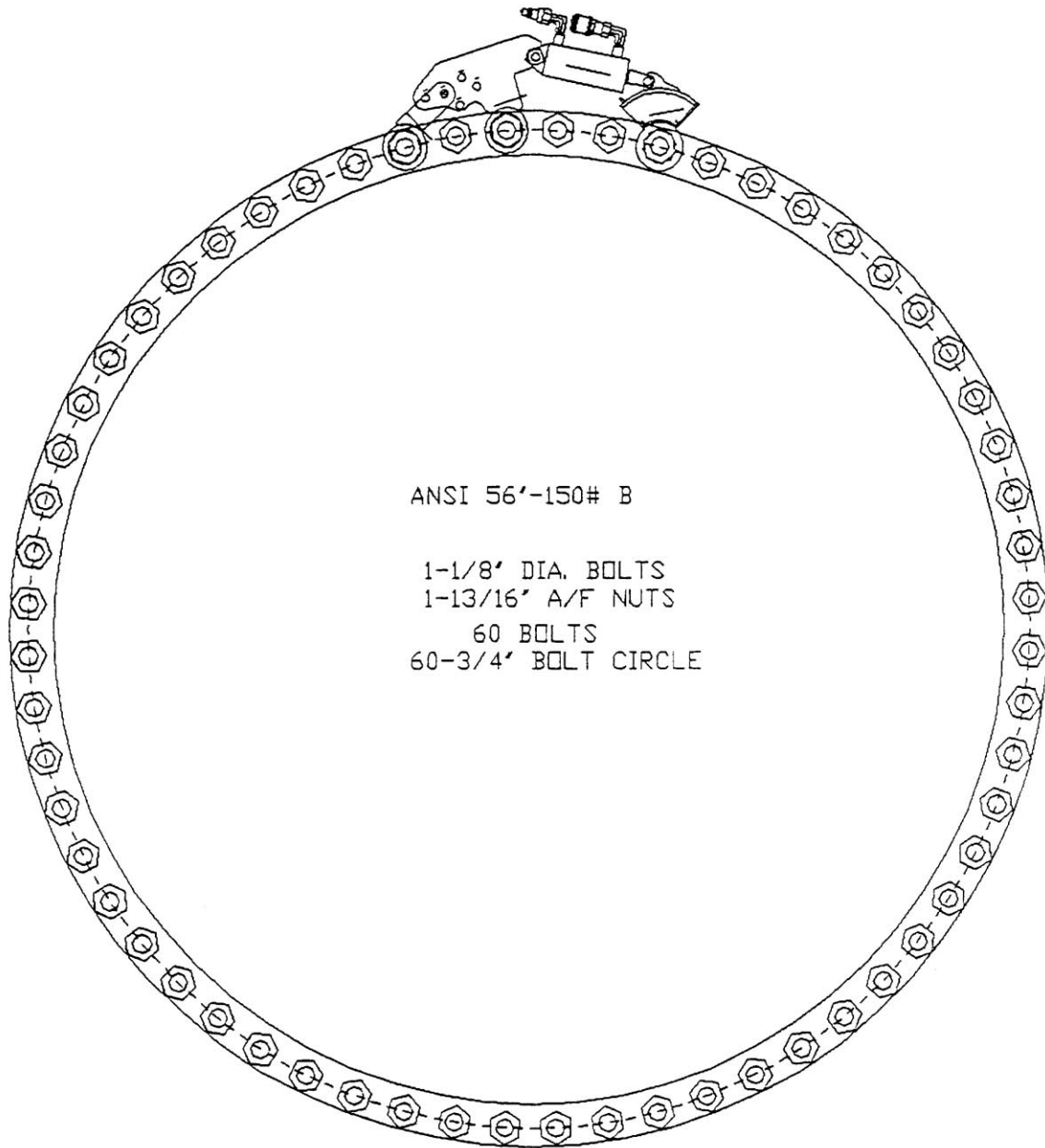
ThinLINE TLH113-4



Suggested Torque: 700 ft-lb
Pressure Setting: 1,170 psi



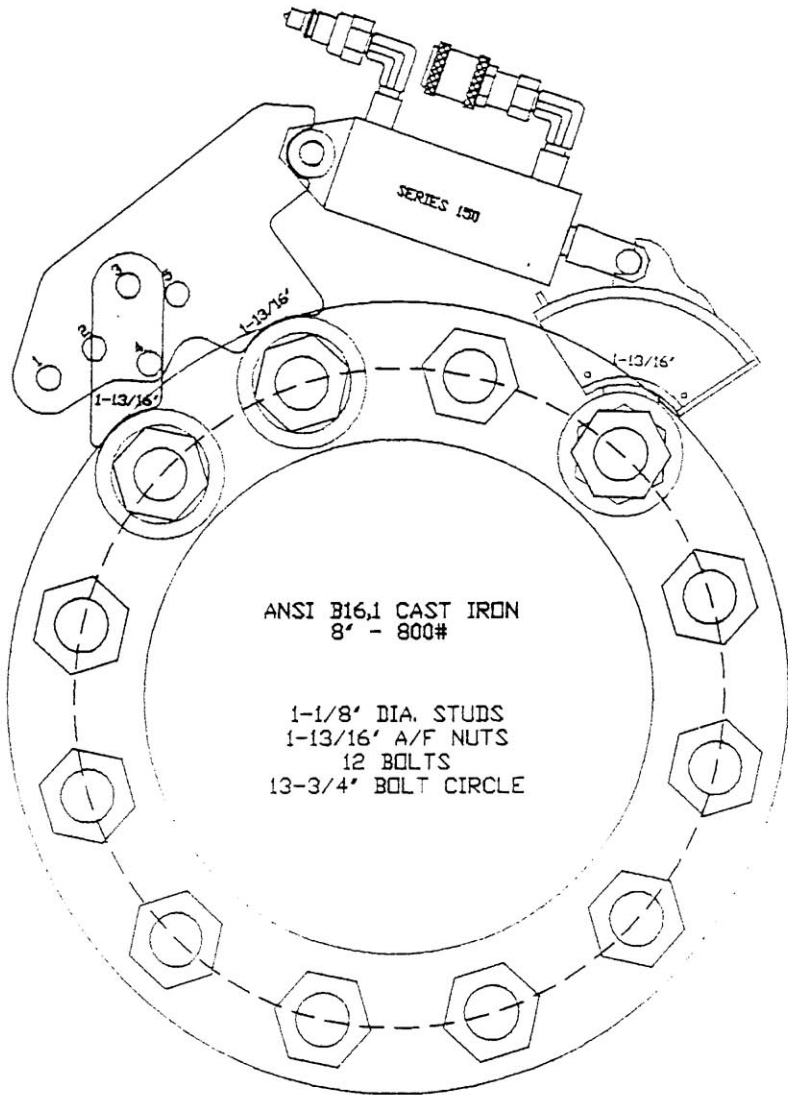
ThinLINE TLH113-4



Suggested Torque: 700 ft-lb
Pressure Setting: 1,170 psi



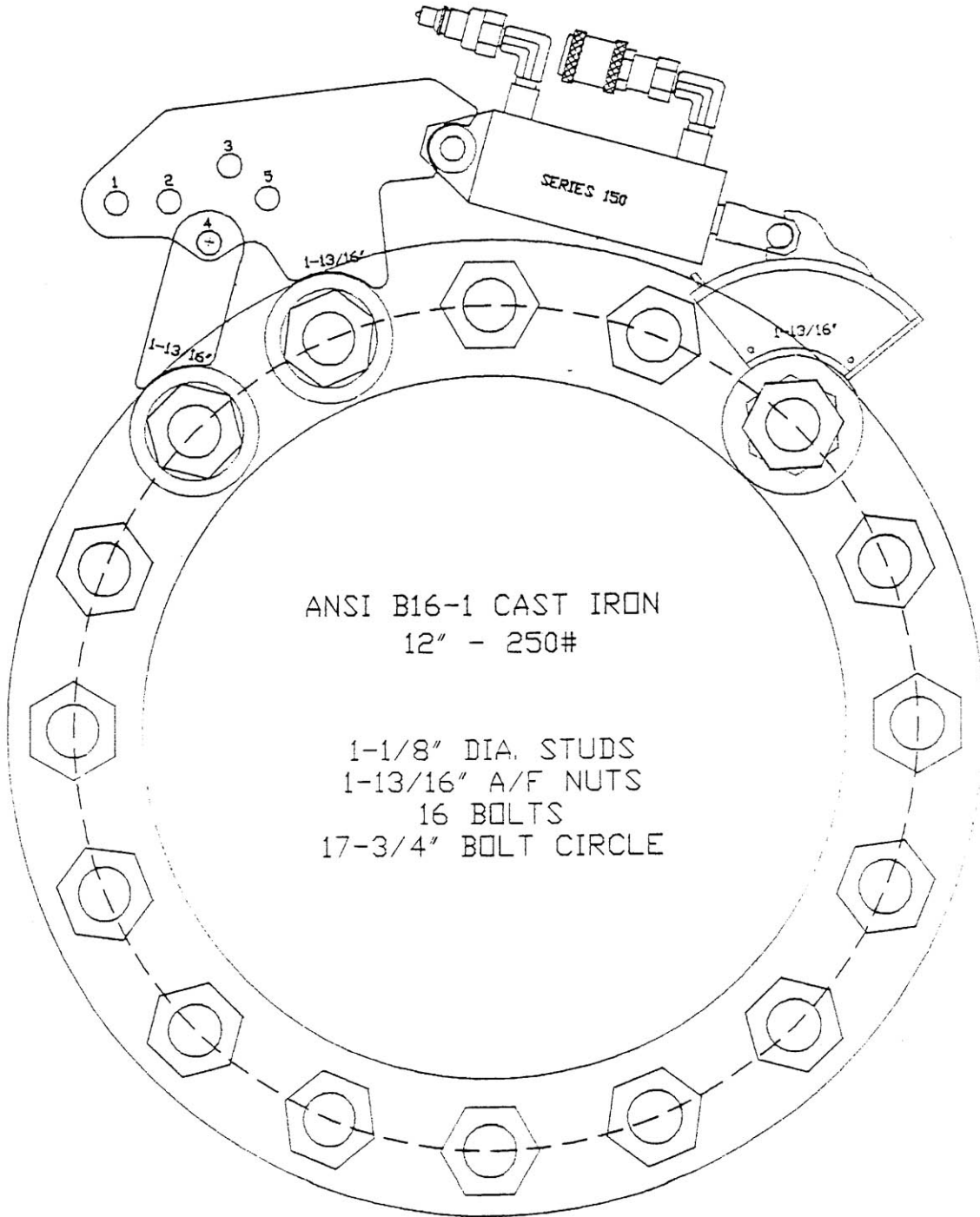
ThinLINE TLH113-4



Suggested Torque: 700 ft-lb
Pressure Setting: 1,170 psi



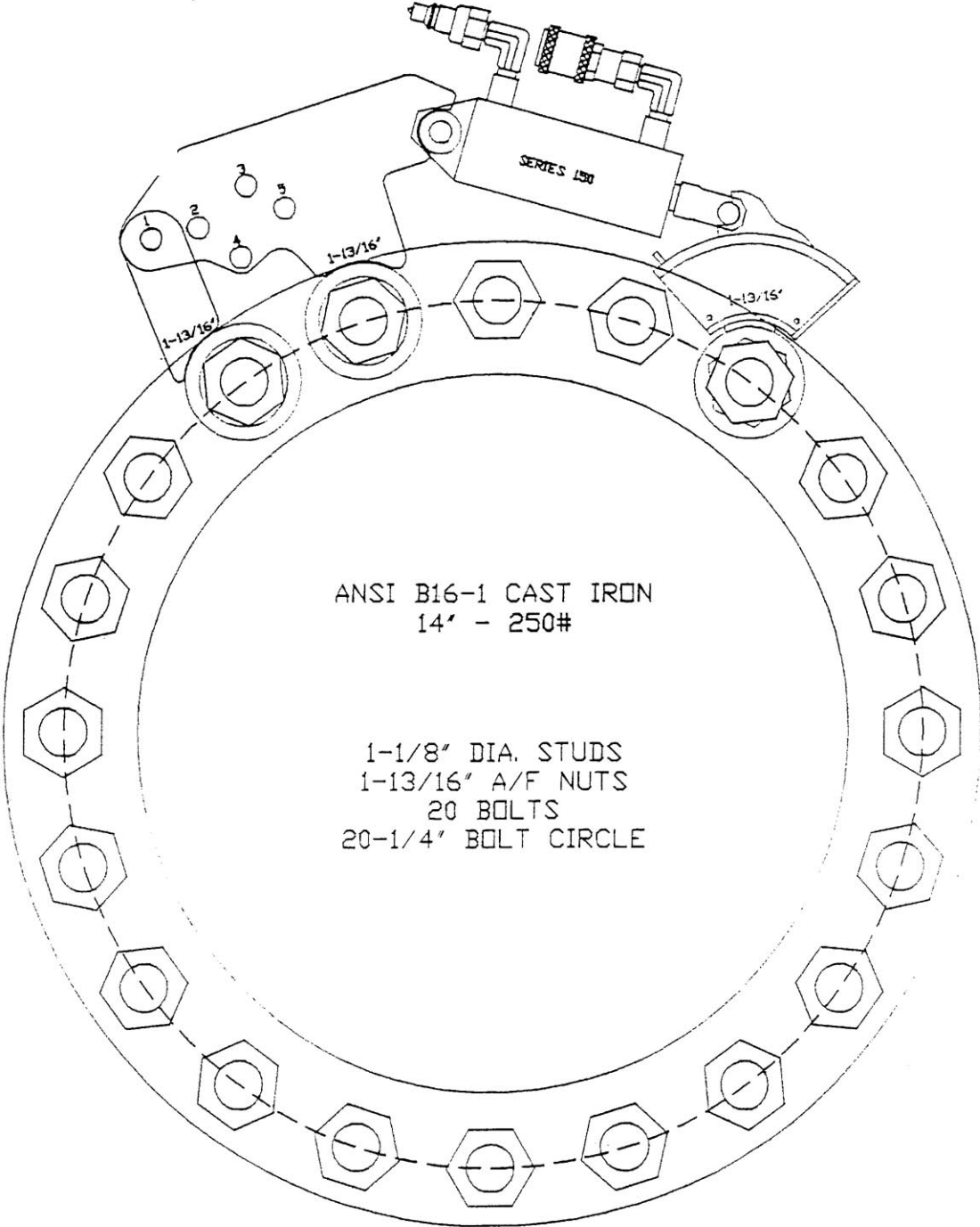
ThinLINE TLH113-4



Suggested Torque: 700 ft-lb
Pressure Setting: 1,170 psi



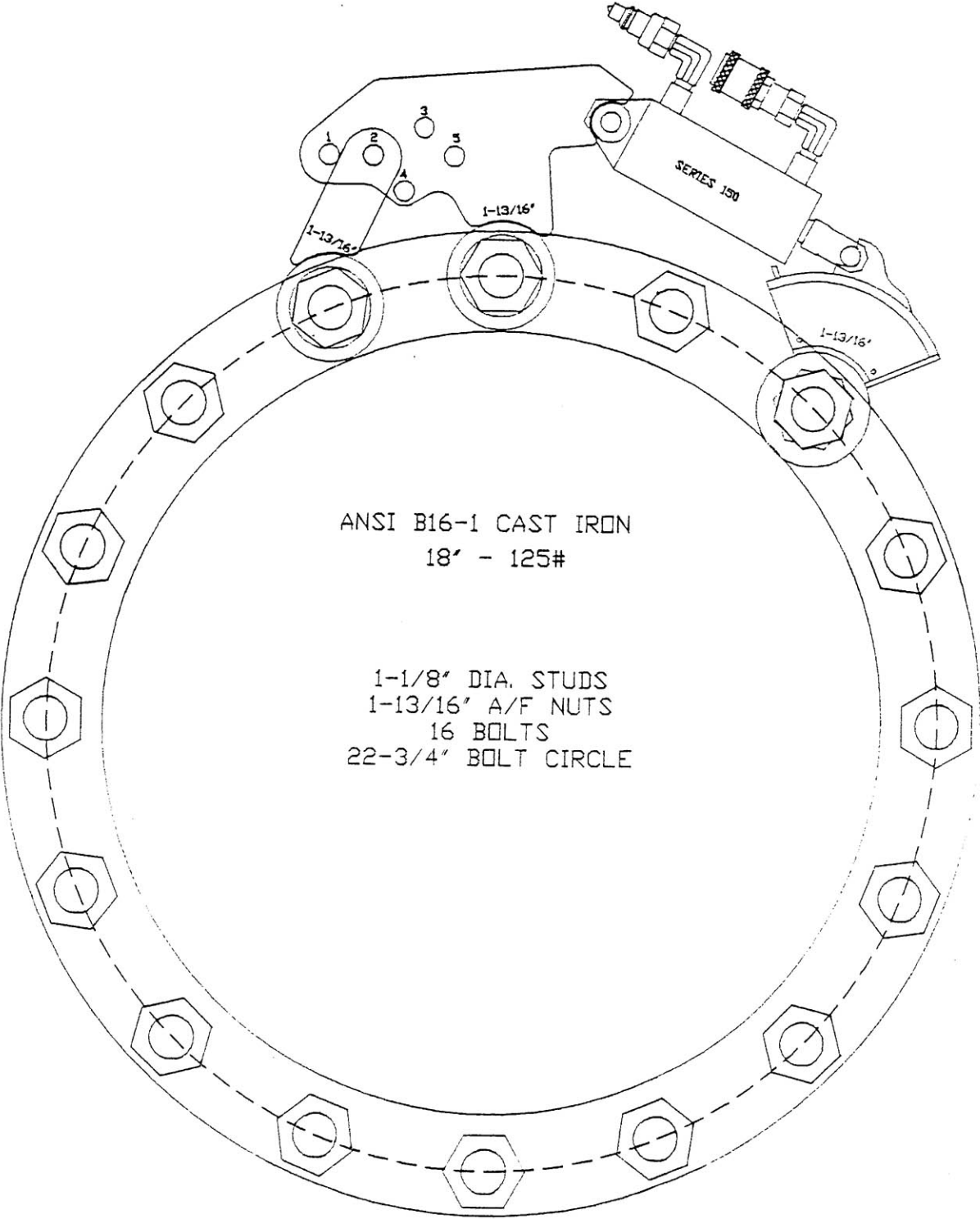
ThinLINE TLH113-4



Suggested Torque: 700 ft-lb
Pressure Setting: 1,170 psi



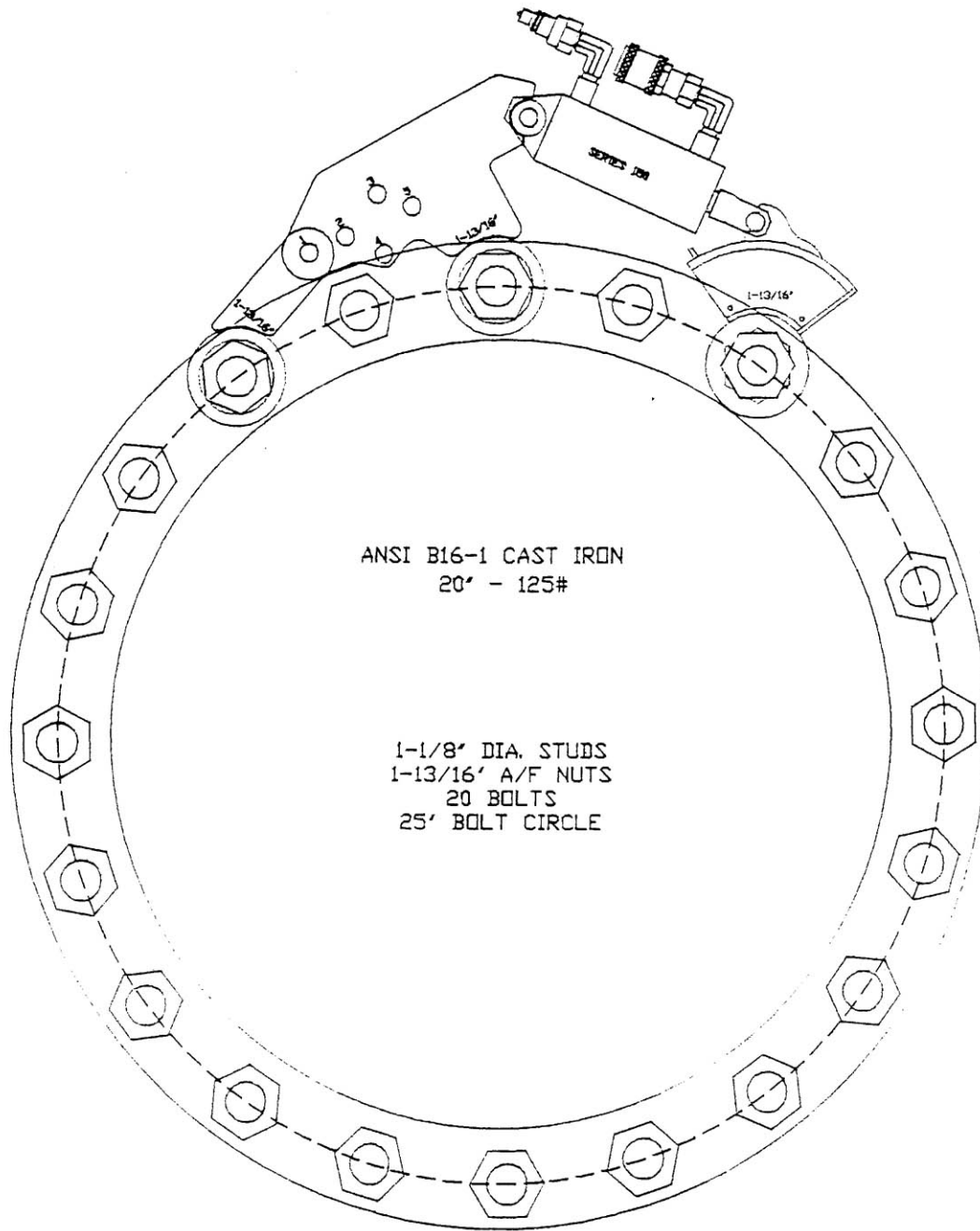
ThinLINE TLH113-4



Suggested Torque: 700 ft-lb
Pressure Setting: 1,170 psi



ThinLINE TLH113-4



Suggested Torque: 700 ft-lb
Pressure Setting: 1,170 psi



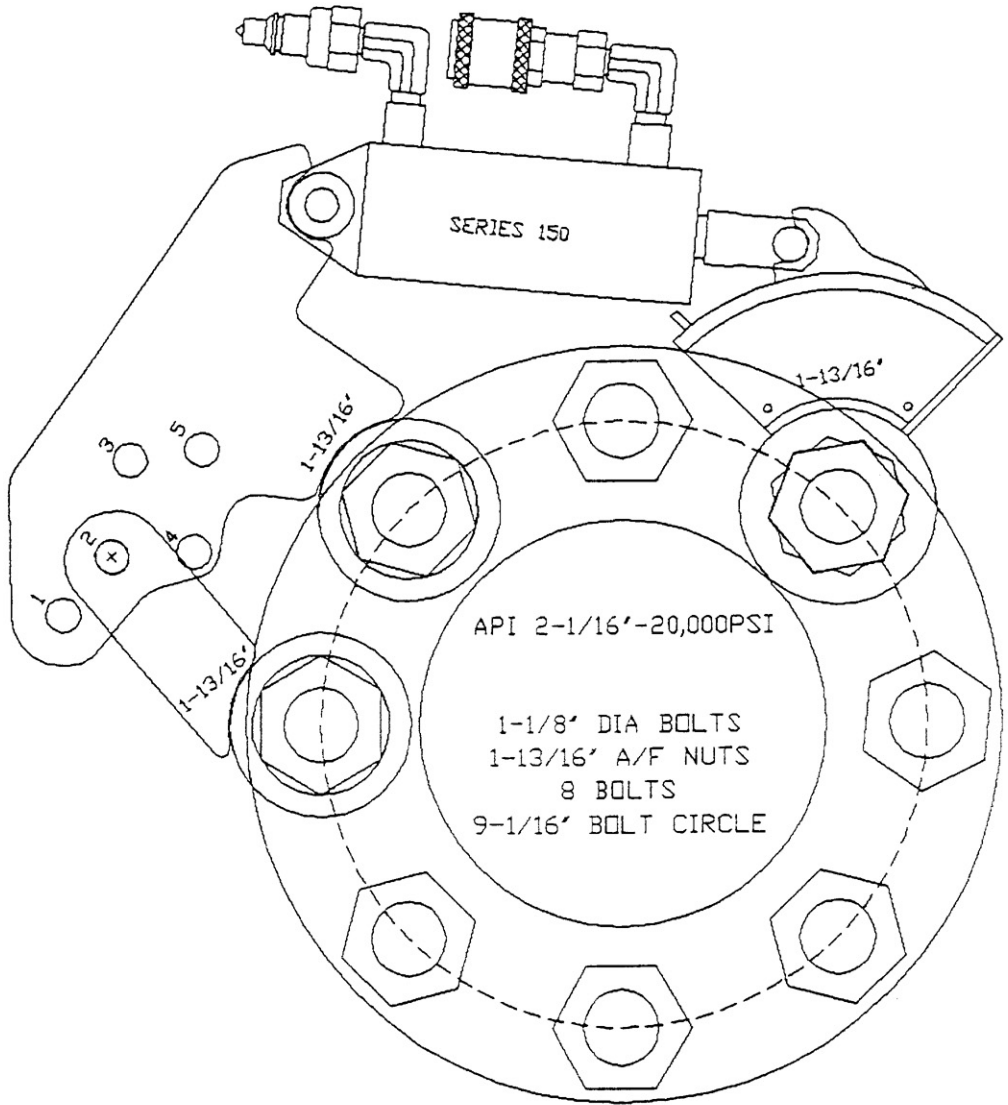
ThinLINE TLH113-4

ANSI B16-1 Cast Iron Flanges with 1-1/8-inch Bolts

Flange #	# of Bolts	Bolt Circle	Flange O.D.	Flange I.D.	ACAD Des.
60-25 PSI	52	62.25	73	64	AWWA-508
72-25 PSI	60	82.5	86.5	75	AWWA-509
18-125 PSI	16	22.75	25	19.62	AWWA-510
20-125 PSI	20	25	27.5	21.75	AWWA-511
12-250 PSI	16	17.75	20.5	14.75	AWWA-512
14-250 PSI	20	20.25	23	16.25	AWWA-513
8-800 PSI	12	13.65	16.5	10.69	AWWA-514



ThinLINE TLH113-4

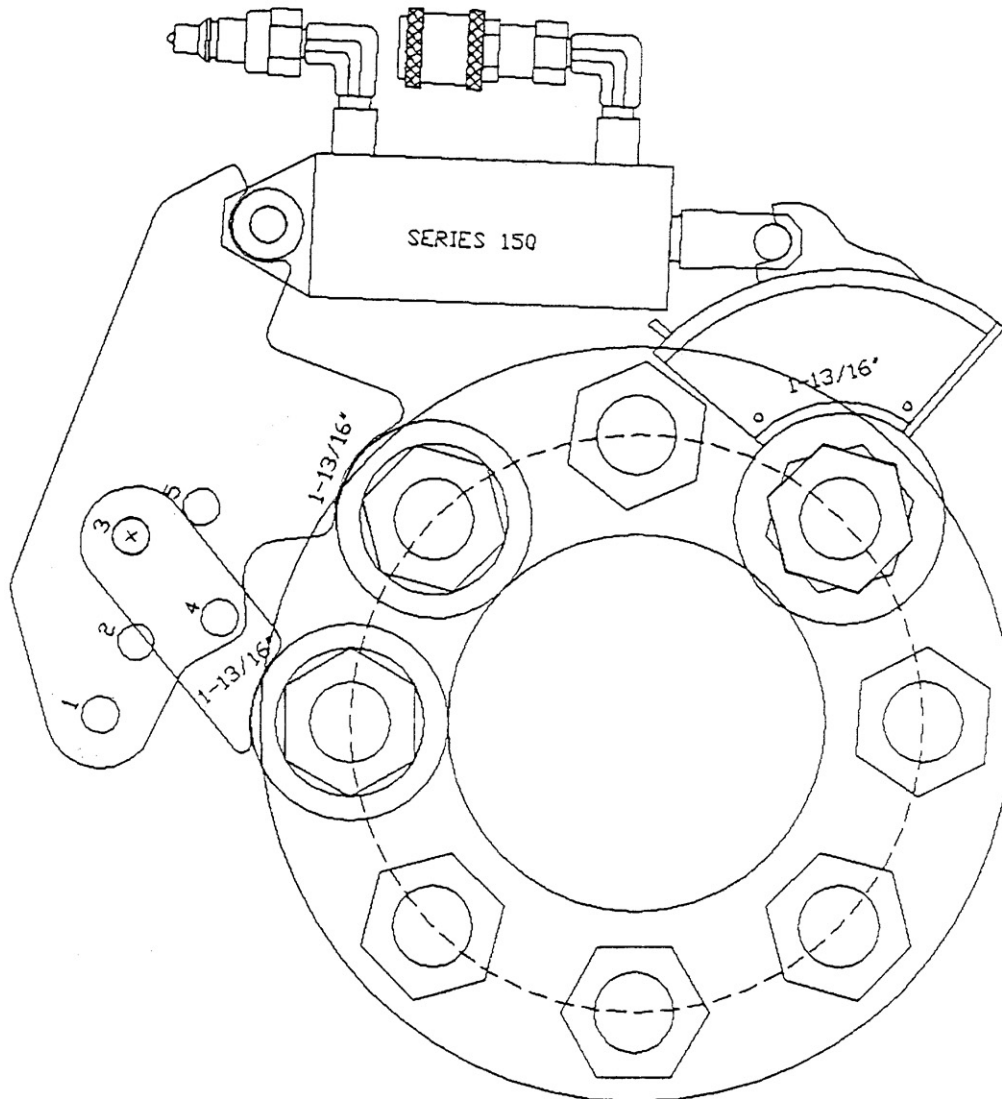


Suggested Torque: 700 ft-lb
Pressure Setting: 1,200 psi



ThinLINE TLH113-4

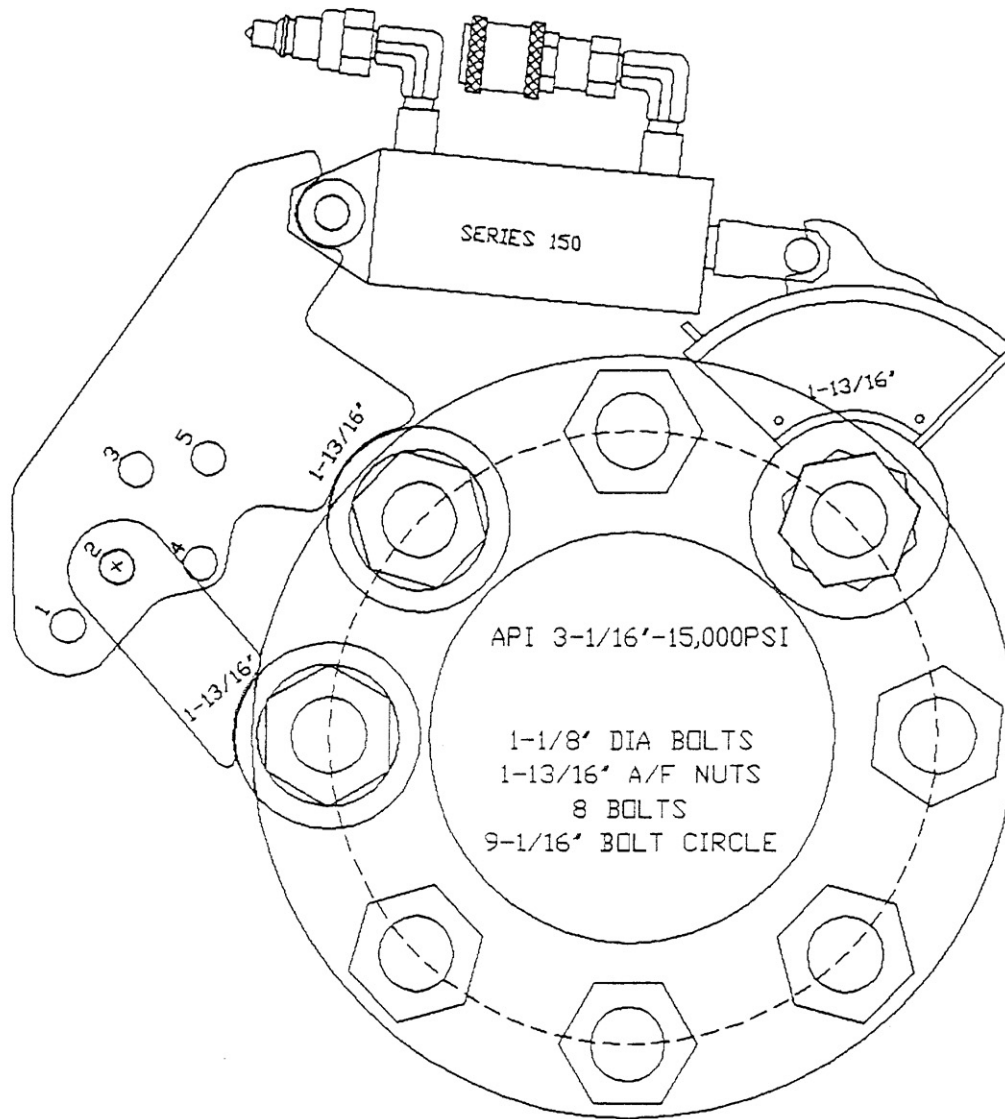
1-1/8" DIA BOLTS
1-13/16" A/F NUTS
8 BOLTS
8" BOLT CIRCLE



Suggested Torque: 700 ft-lb
Pressure Setting: 1,200 psi



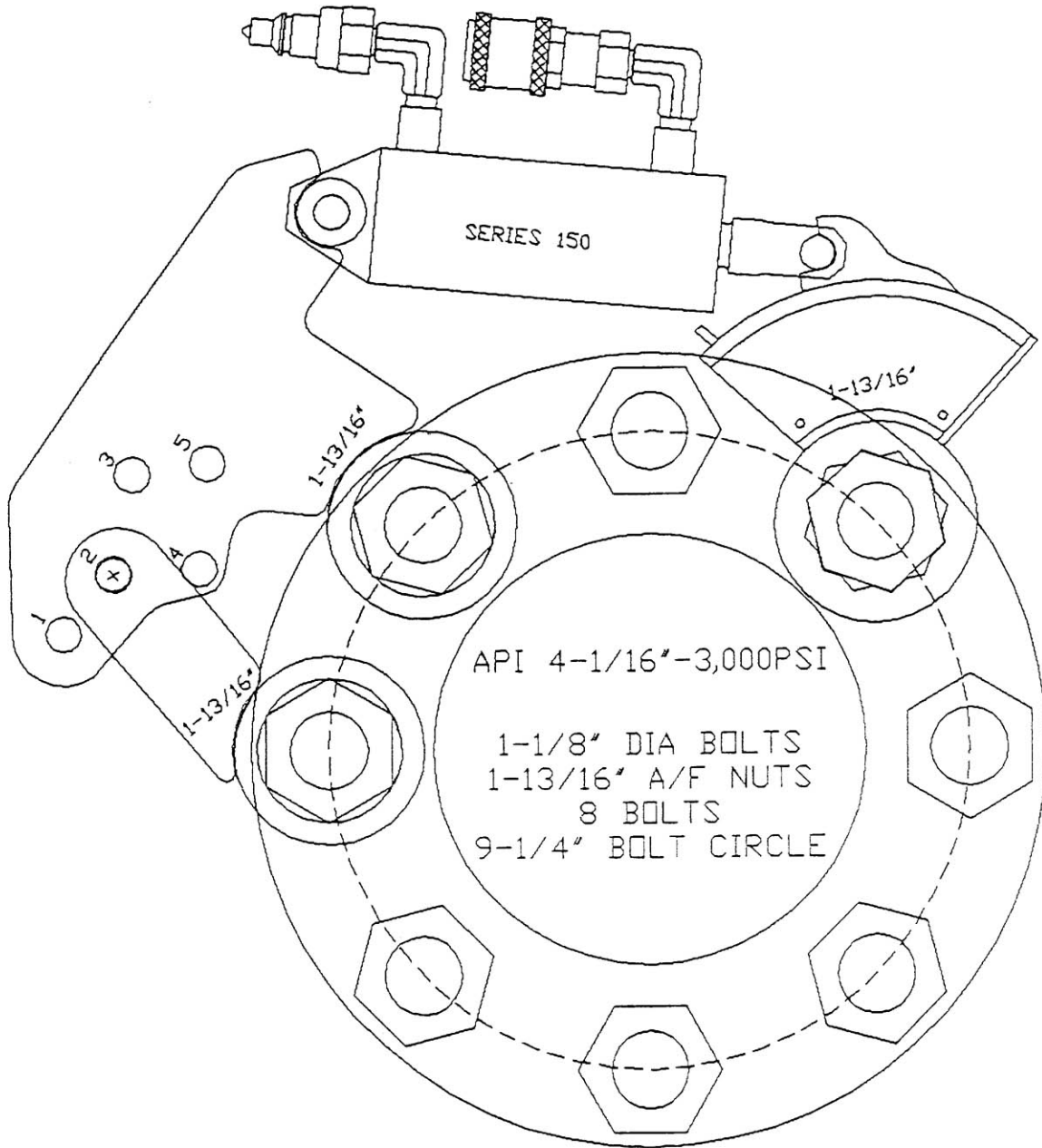
ThinLINE TLH113-4



Suggested Torque: 700 ft-lb
Pressure Setting: 1,200 psi



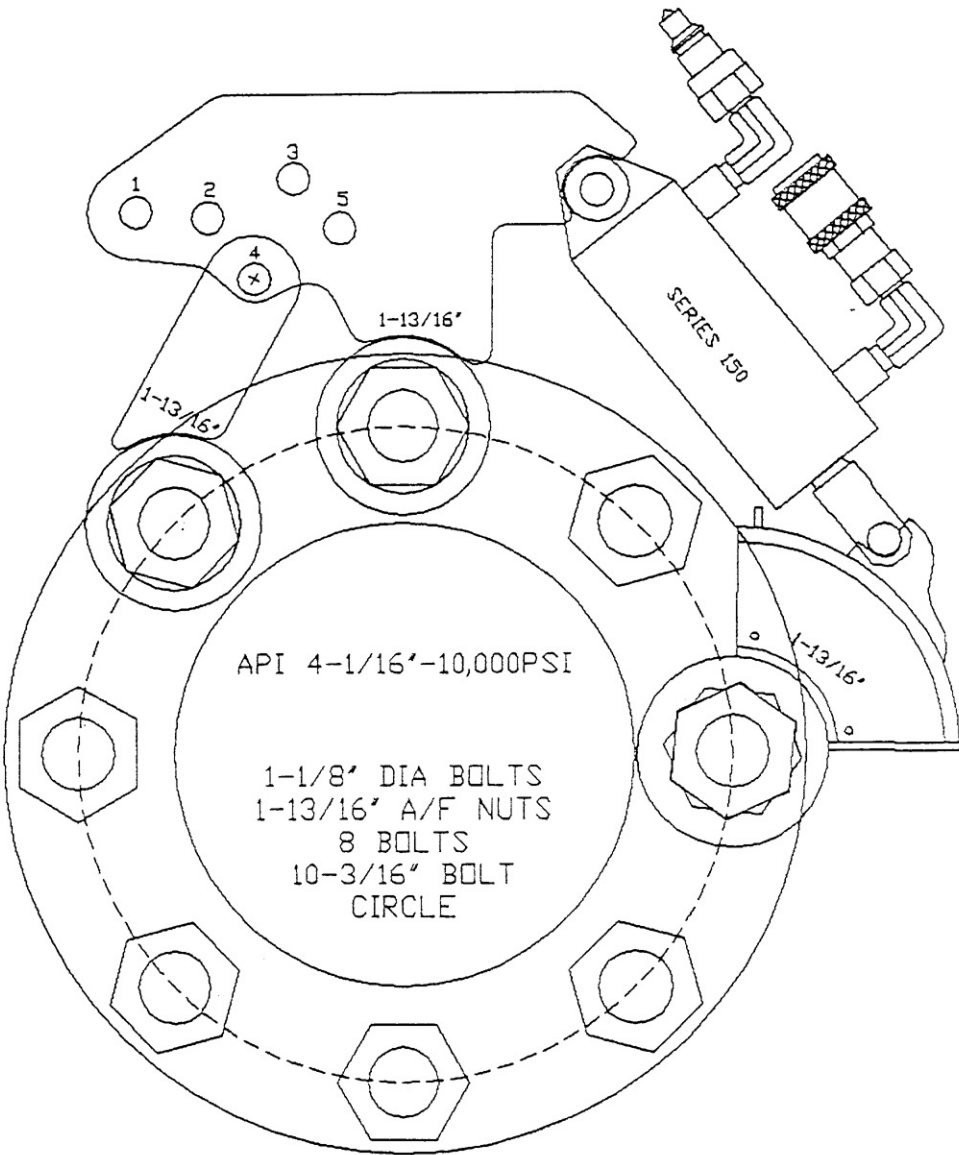
ThinLINE TLH113-4



Suggested Torque: 700 ft-lb
Pressure Setting: 1,200 psi



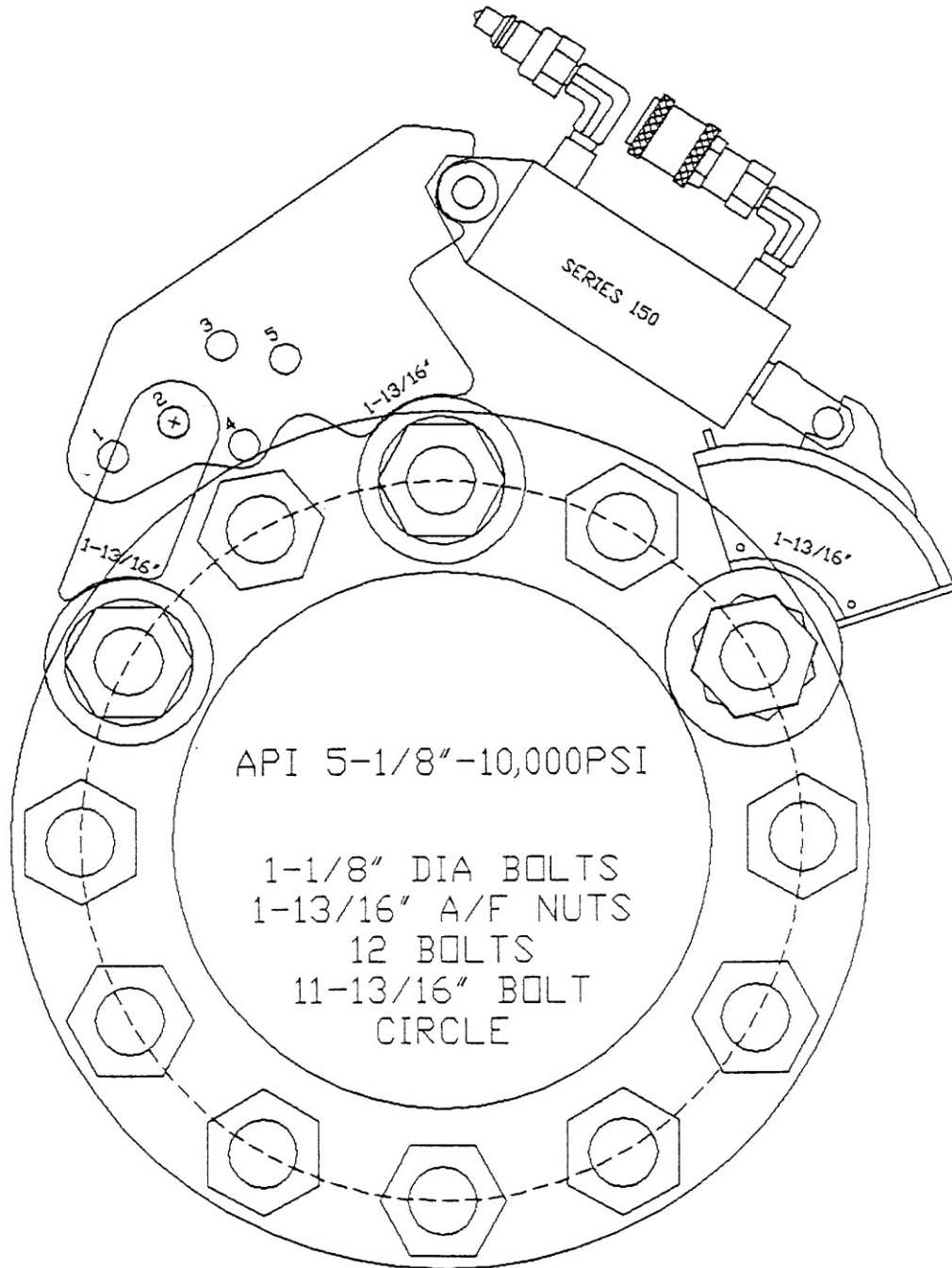
ThinLINE TLH113-4



Suggested Torque: 700 ft-lb
Pressure Setting: 1,200 psi



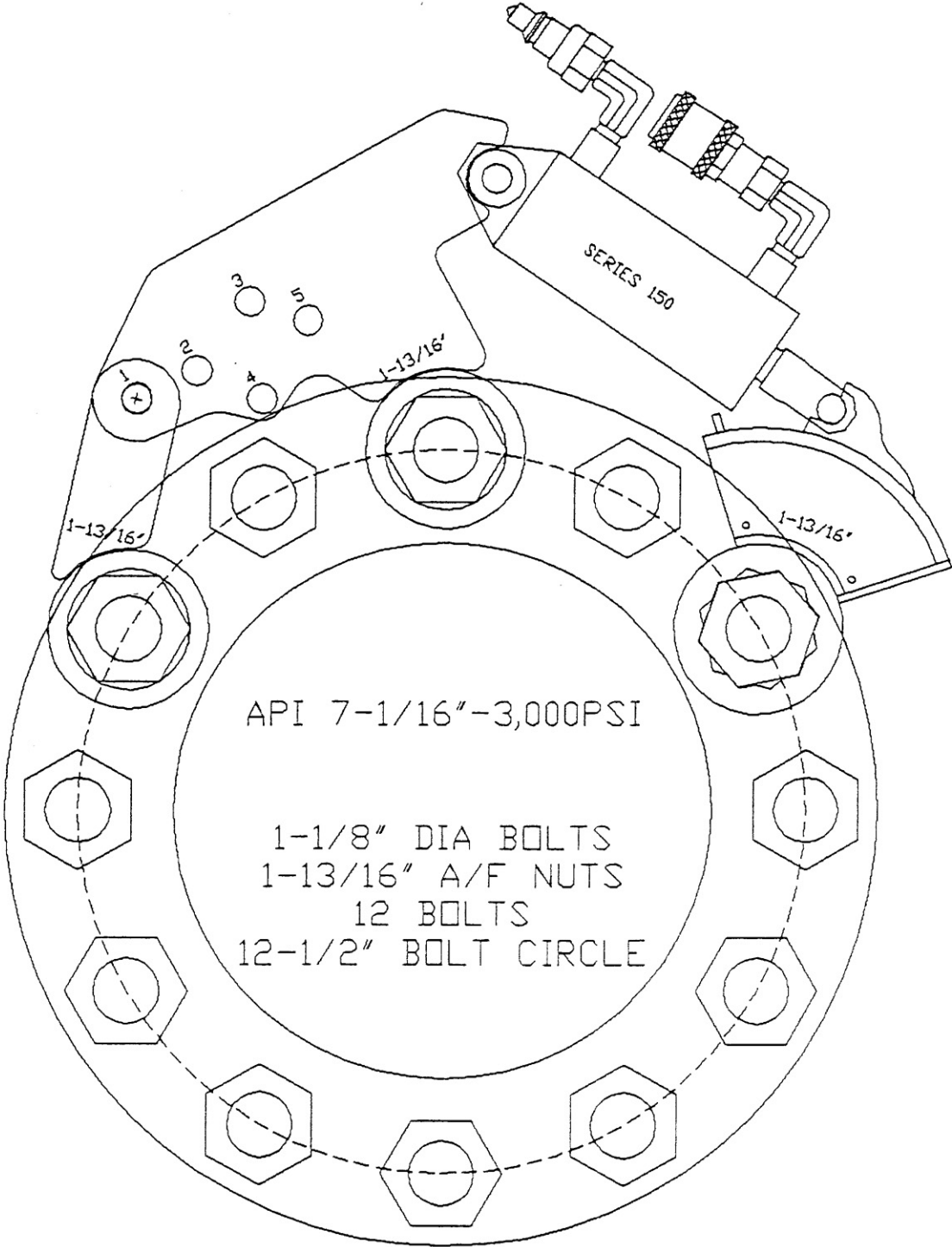
ThinLINE TLH113-4



Suggested Torque: 700 ft-lb
Pressure Setting: 1,200 psi



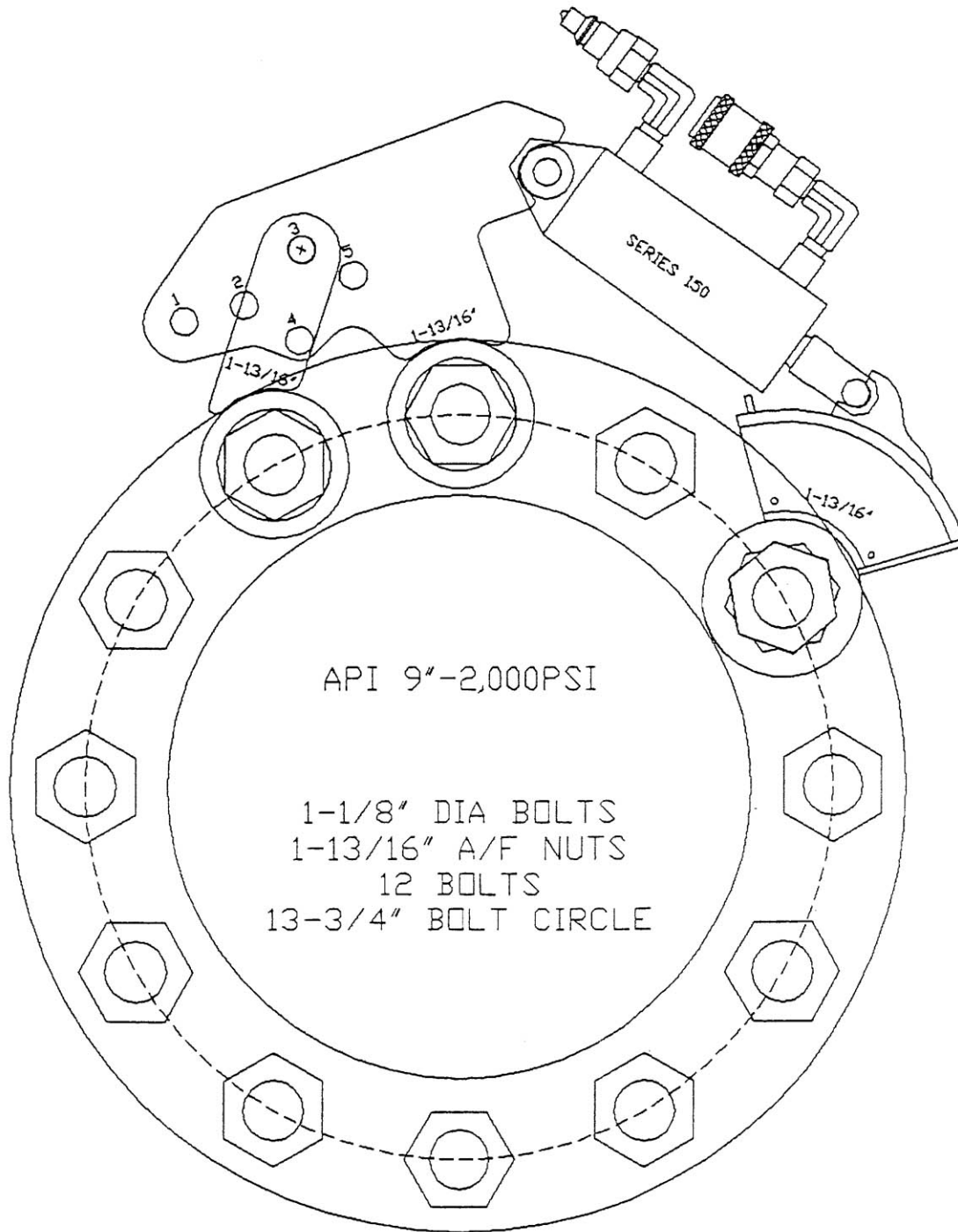
ThinLINE TLH113-4



Suggested Torque: 700 ft-lb
Pressure Setting: 1,200 psi



ThinLINE TLH113-4



Suggested Torque: 700 ft-lb
Pressure Setting: 1,200 psi

