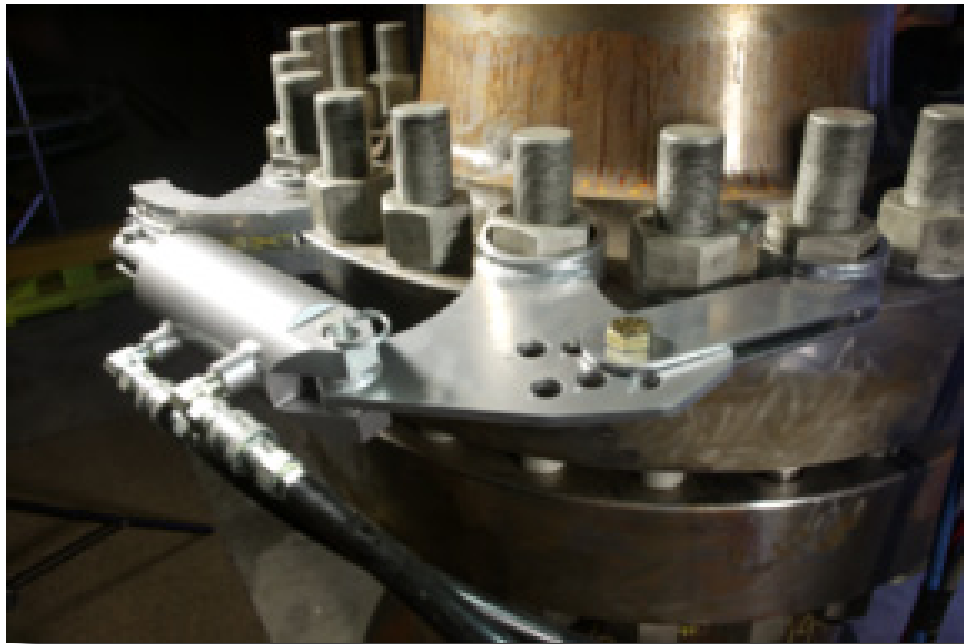


ThinLINE TLH104-4



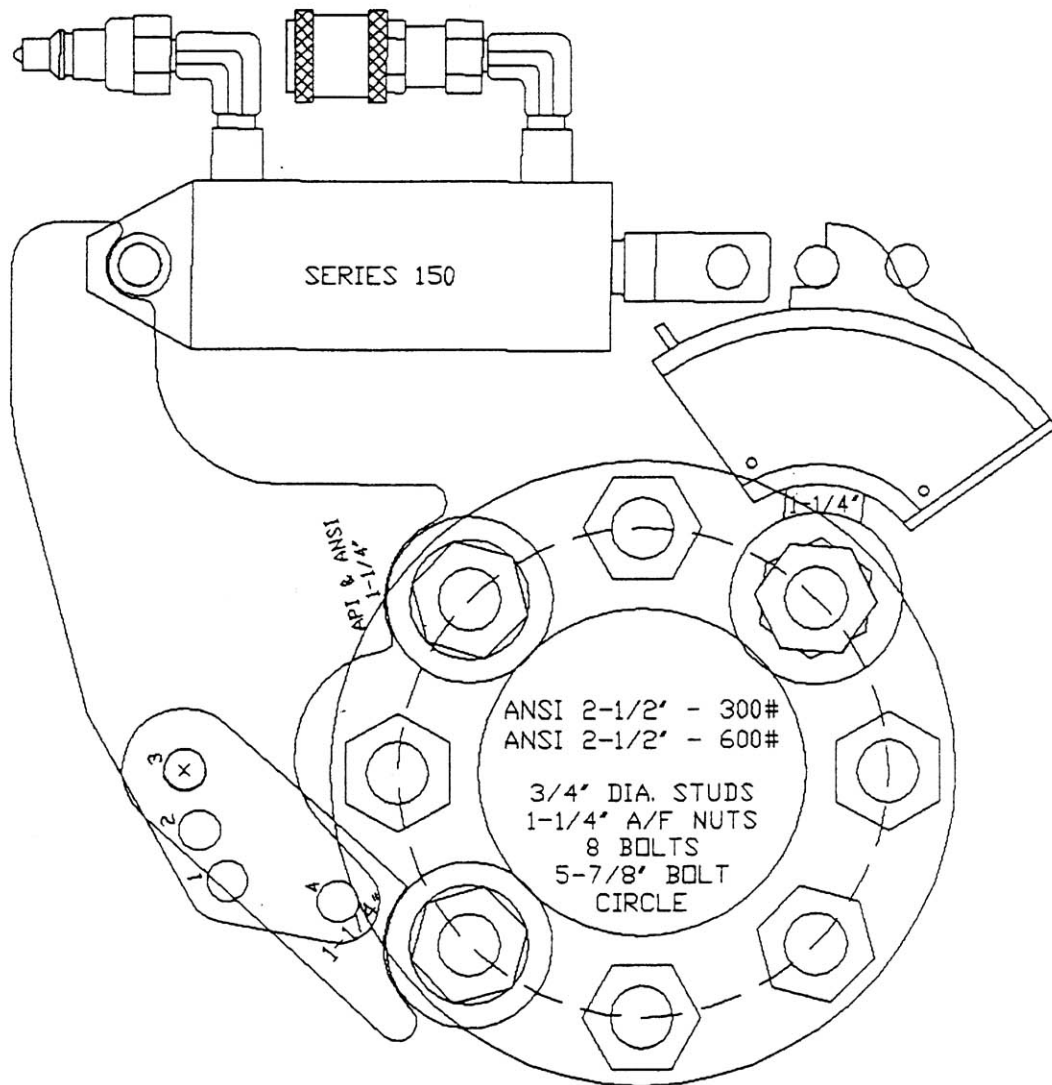
Bolt Patterns Guide

LEADING PROVIDER OF BOLT LOADING & REMOVAL SOLUTIONS

Products and Prices are subject to updates and changes. Please contact us for current quote.

2013

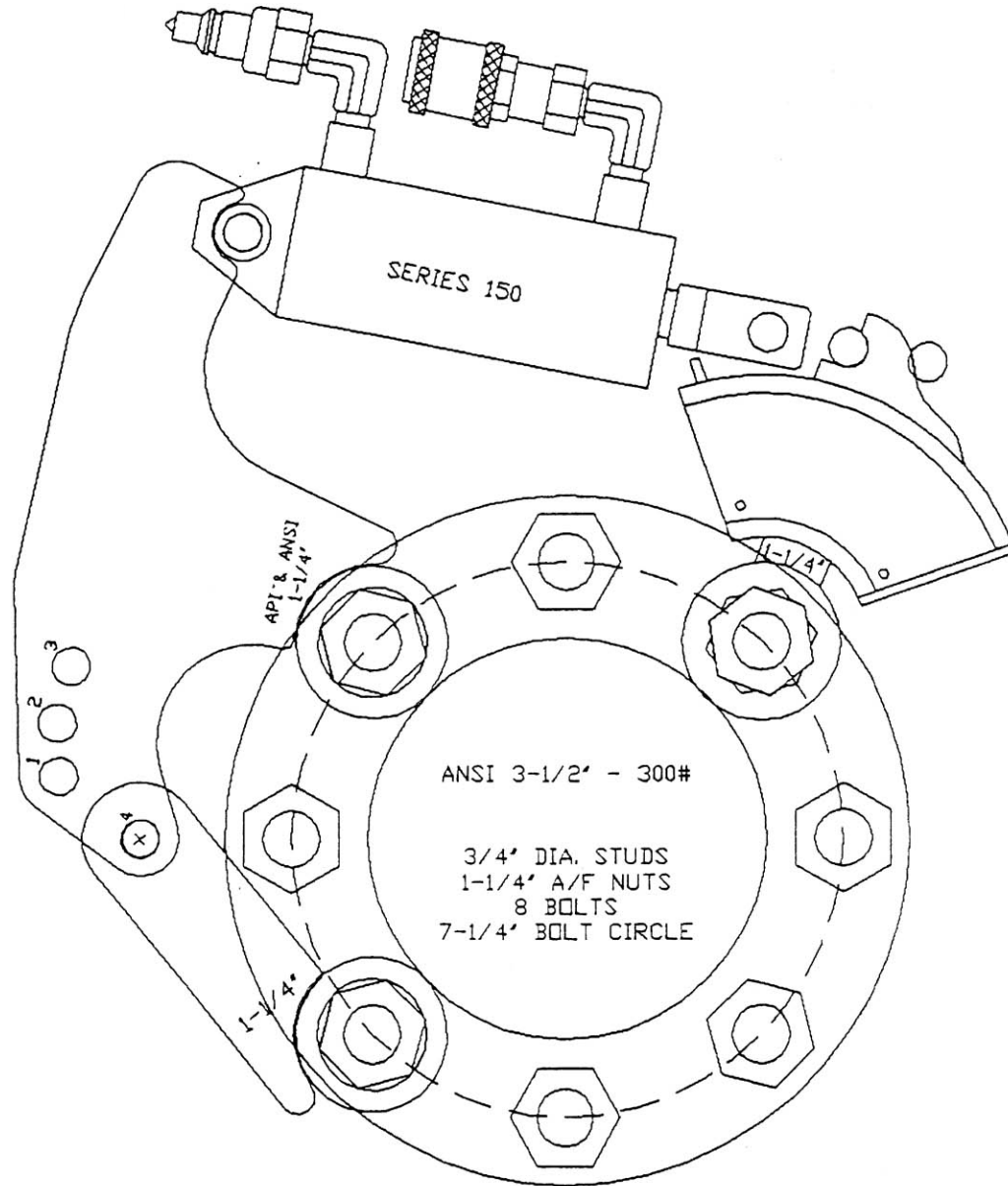
ThinLINE TLH104-4



Suggested Torque: 200 ft-lb
Pressure Setting: 350 psi



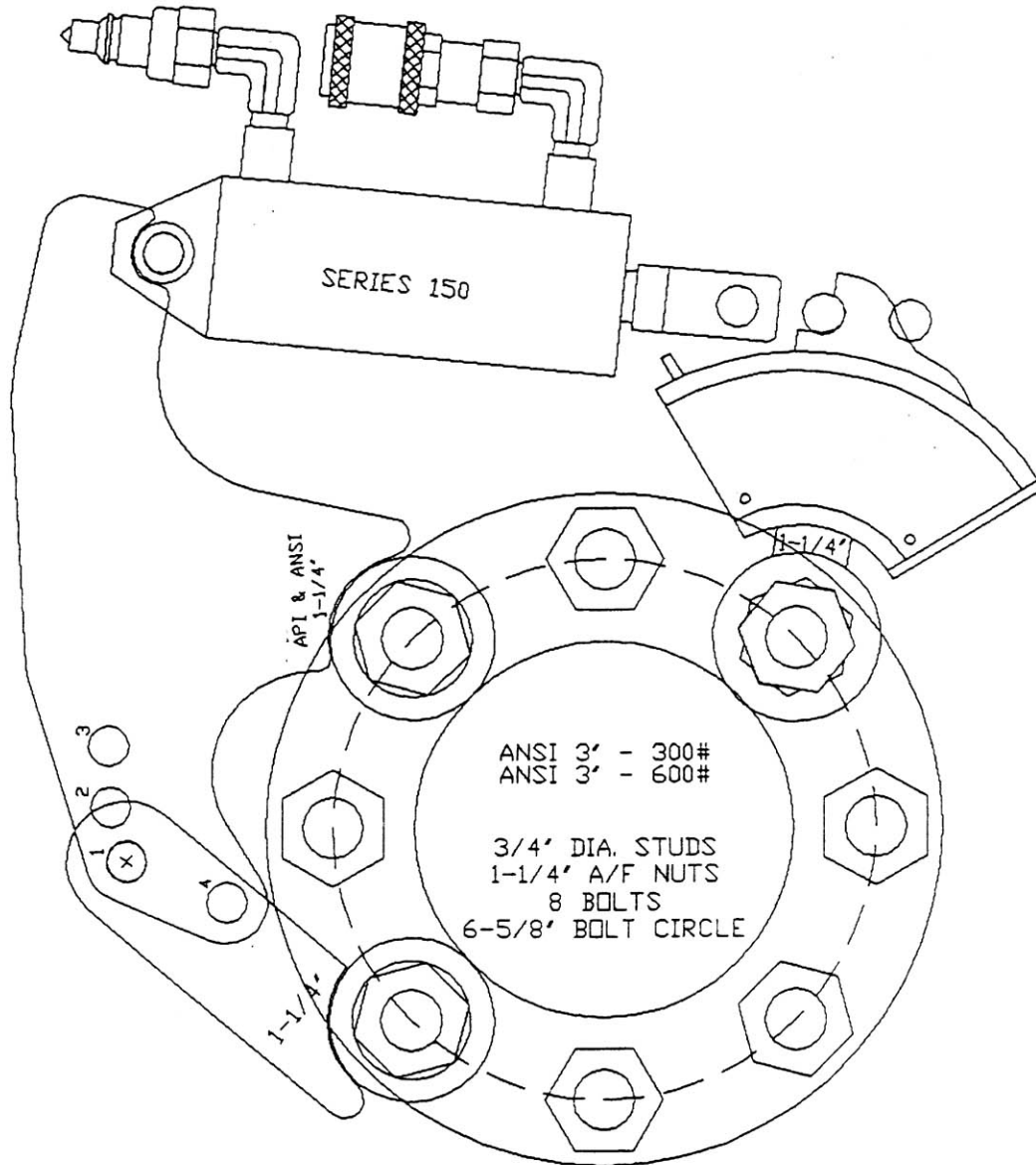
ThinLINE TLH104-4



Suggested Torque: 200 ft-lb
Pressure Setting: 350 psi



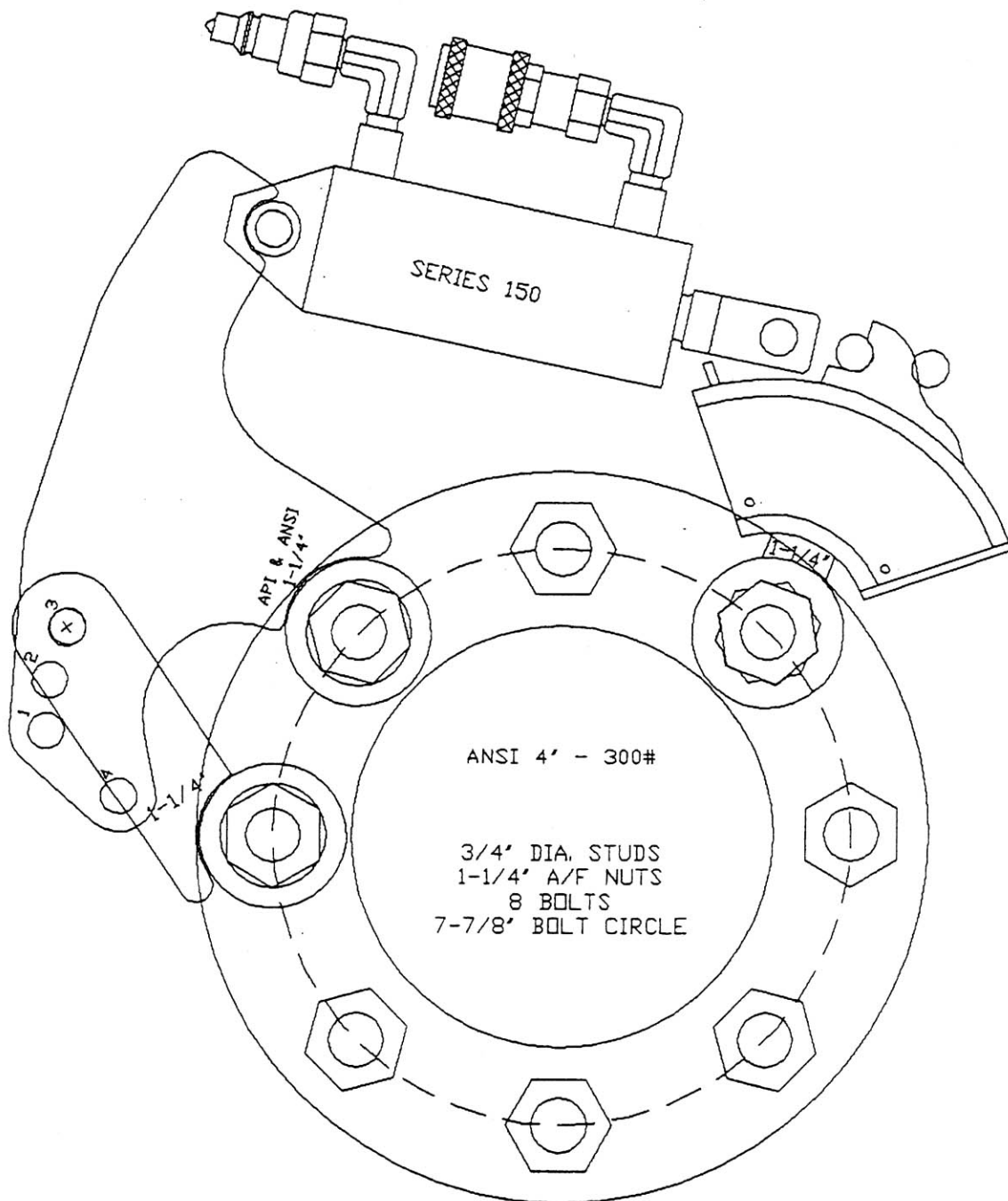
ThinLINE TLH104-4



Suggested Torque: 200 ft-lb
Pressure Setting: 350 psi



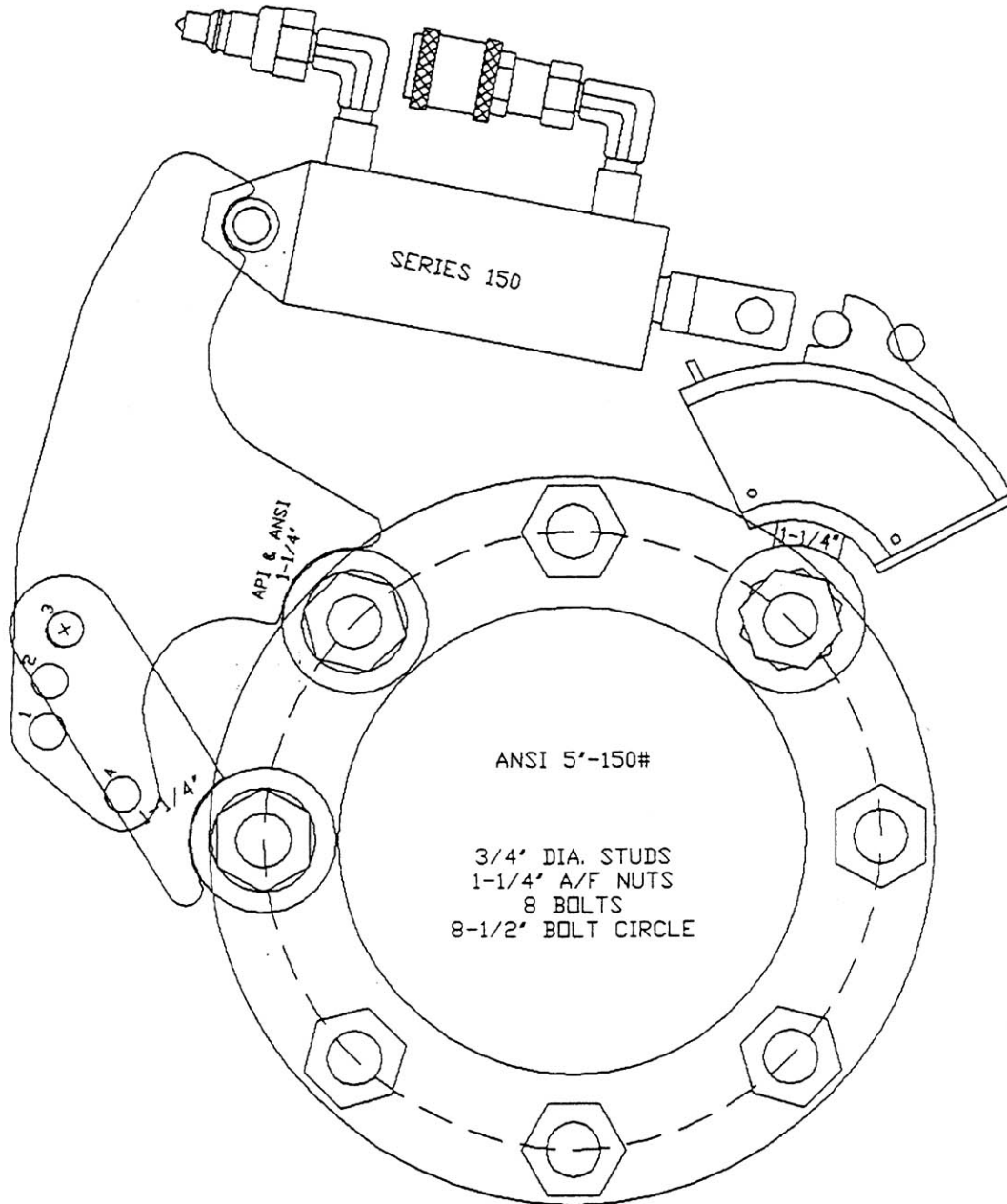
ThinLINE TLH104-4



Suggested Torque: 200 ft-lb
Pressure Setting: 350 psi



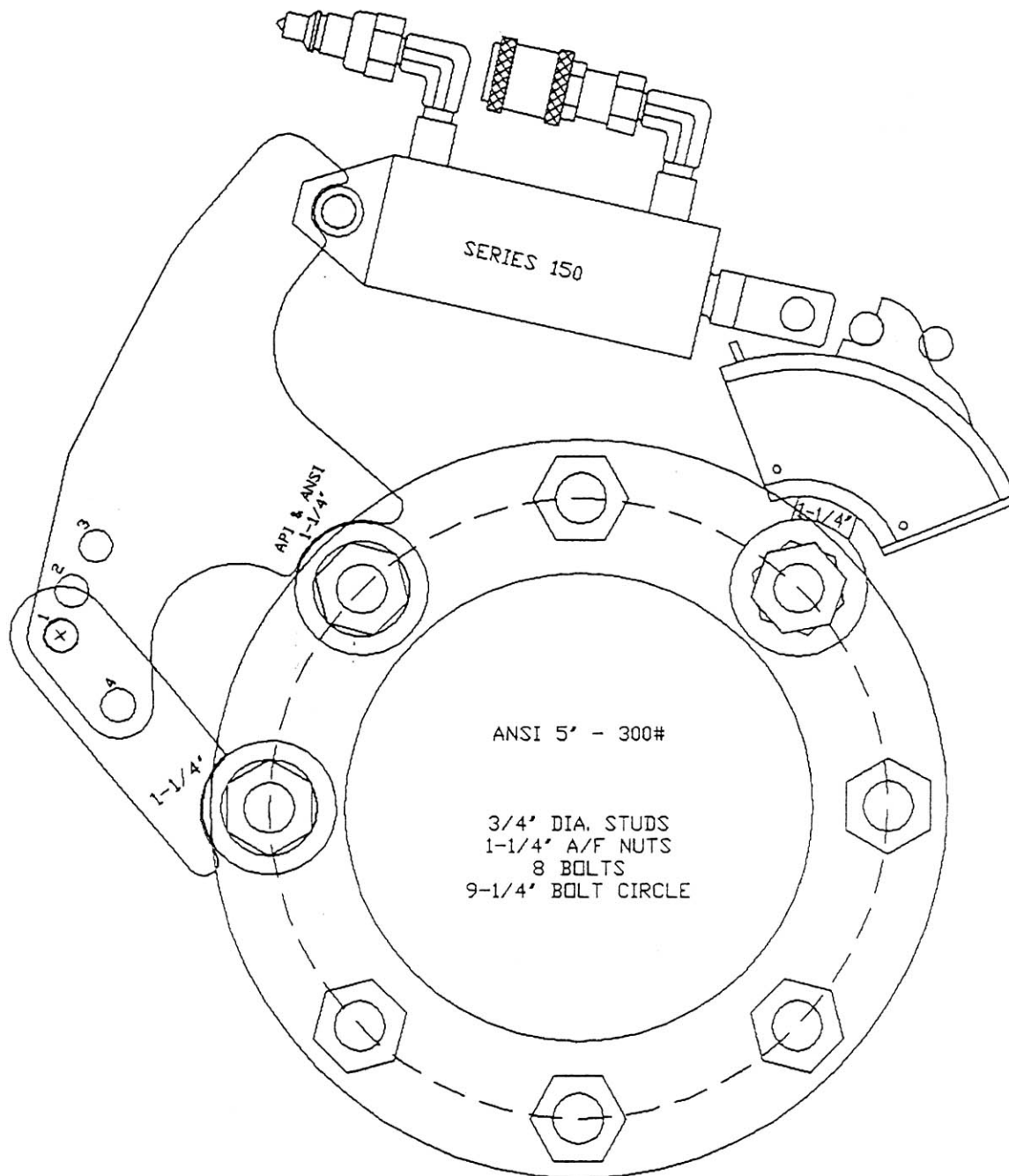
ThinLINE TLH104-4



Suggested Torque: 200 ft-lb
Pressure Setting: 350 psi



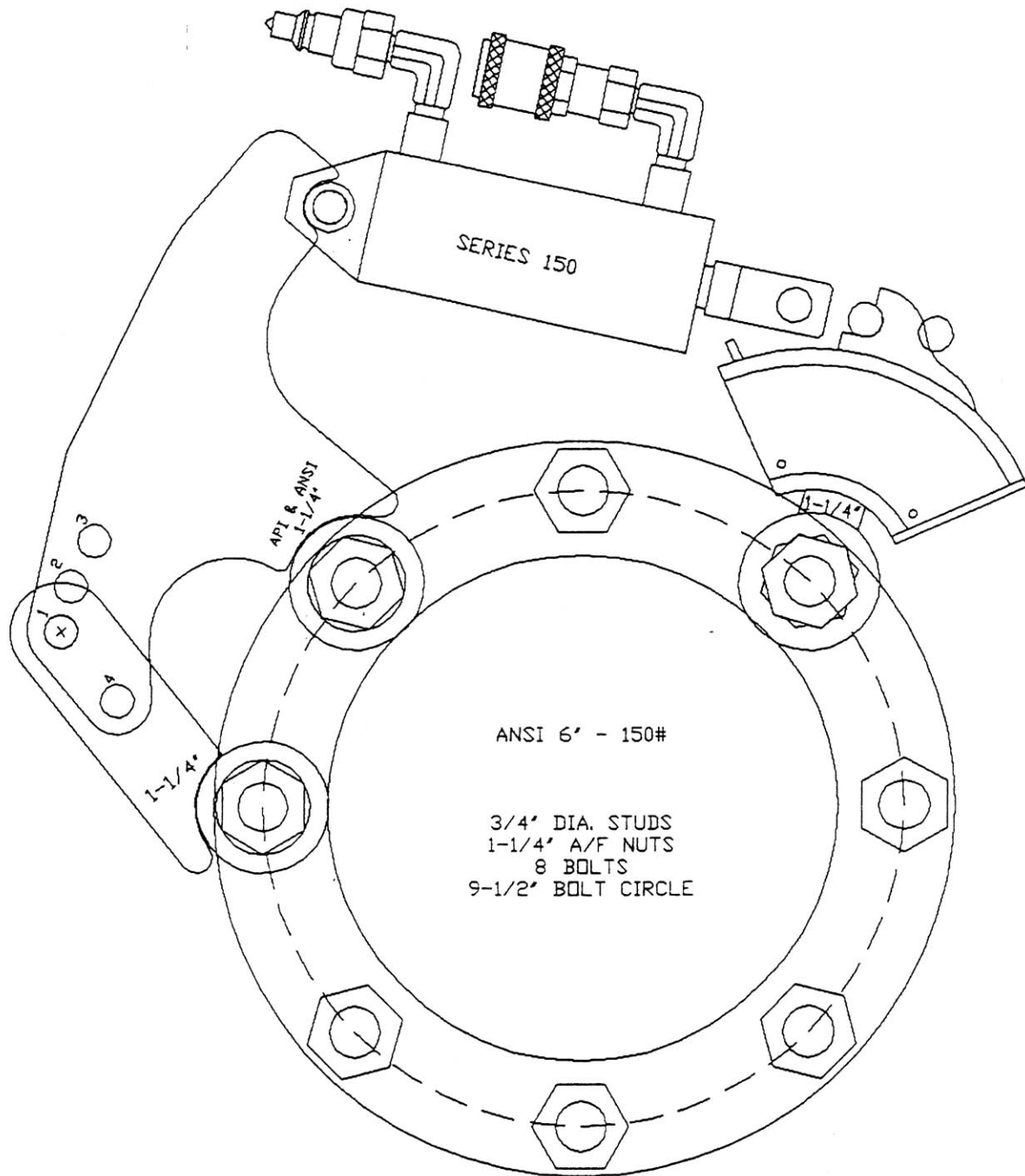
ThinLINE TLH104-4



Suggested Torque: 200 ft-lb
Pressure Setting: 350 psi



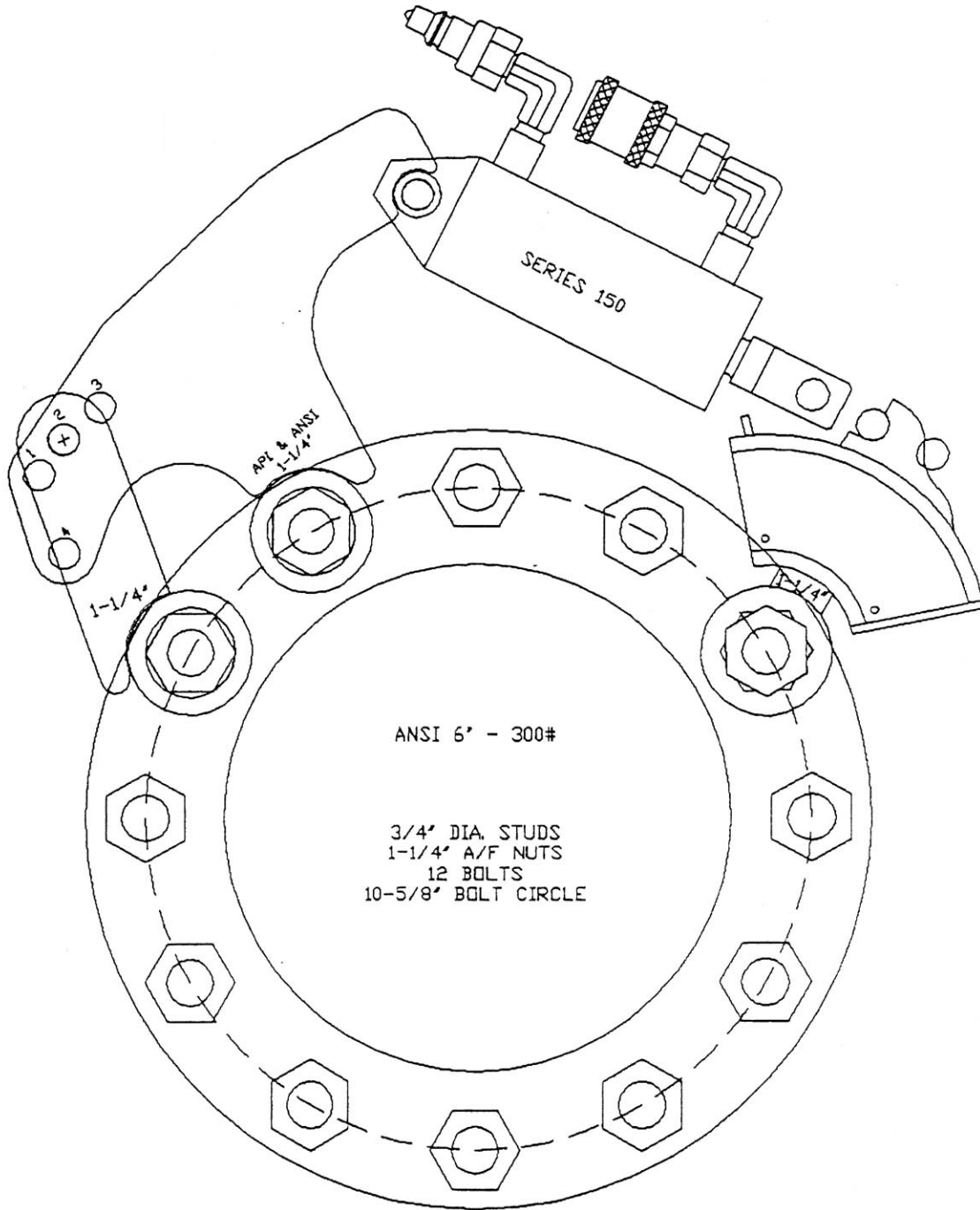
ThinLINE TLH104-4



Suggested Torque: 200 ft-lb
Pressure Setting: 350 psi



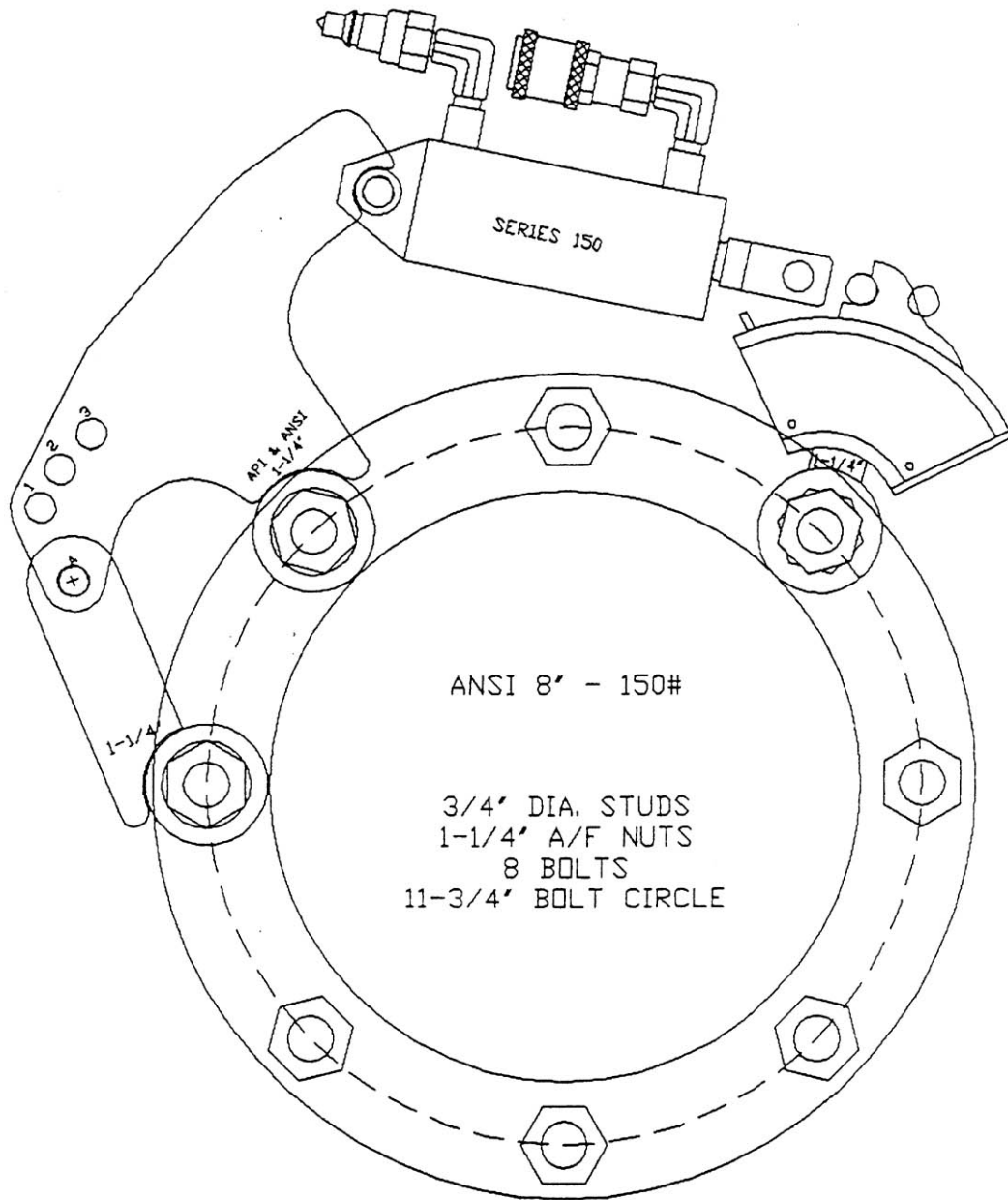
ThinLINE TLH104-4



Suggested Torque: 200 ft-lb
Pressure Setting: 350 psi



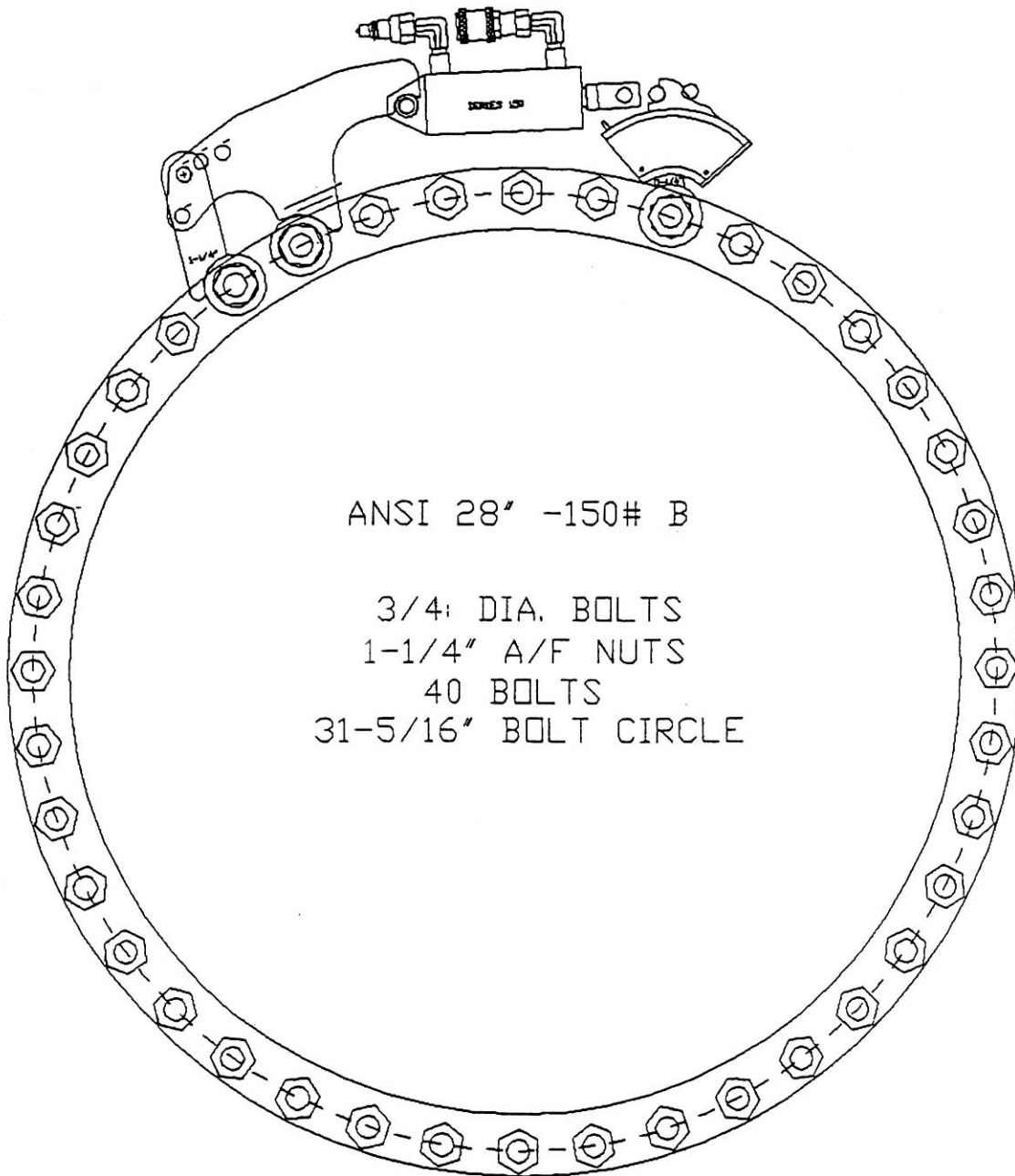
ThinLINE TLH104-4



Suggested Torque: 200 ft-lb
Pressure Setting: 350 psi



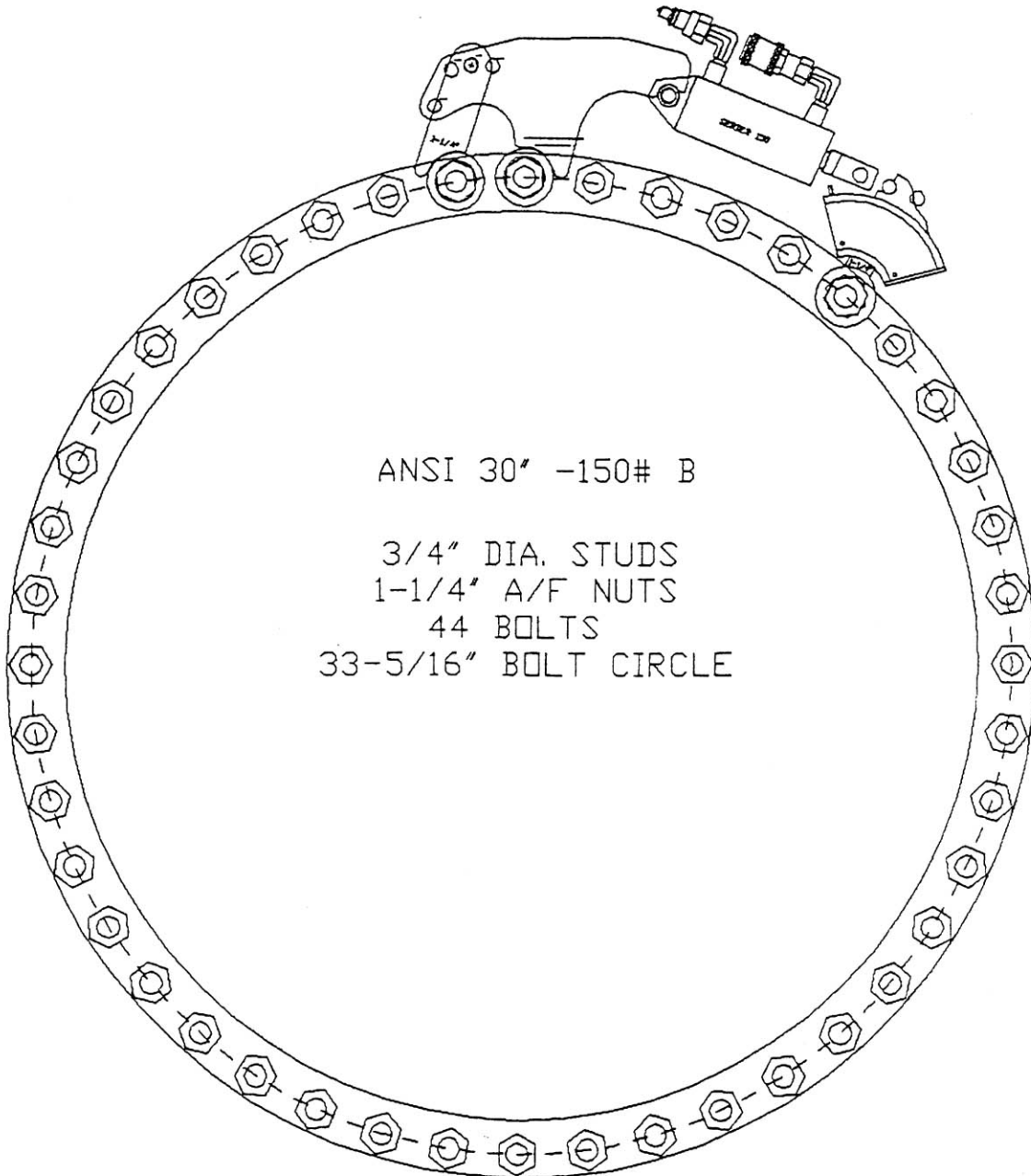
ThinLINE TLH104-4



Suggested Torque: 200 ft-lb
Pressure Setting: 350 psi



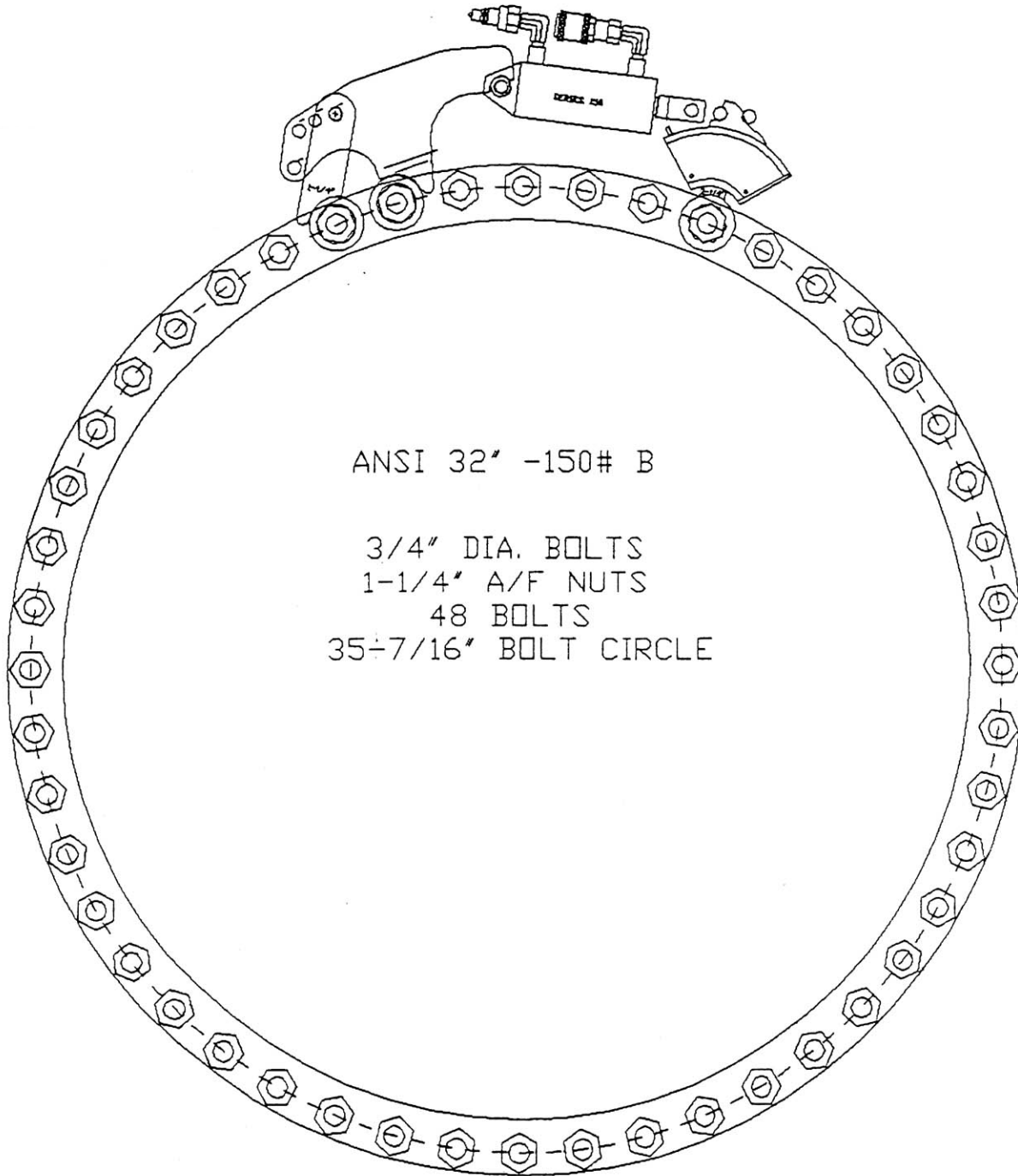
ThinLINE TLH104-4



Suggested Torque: 200 ft-lb
Pressure Setting: 350 psi



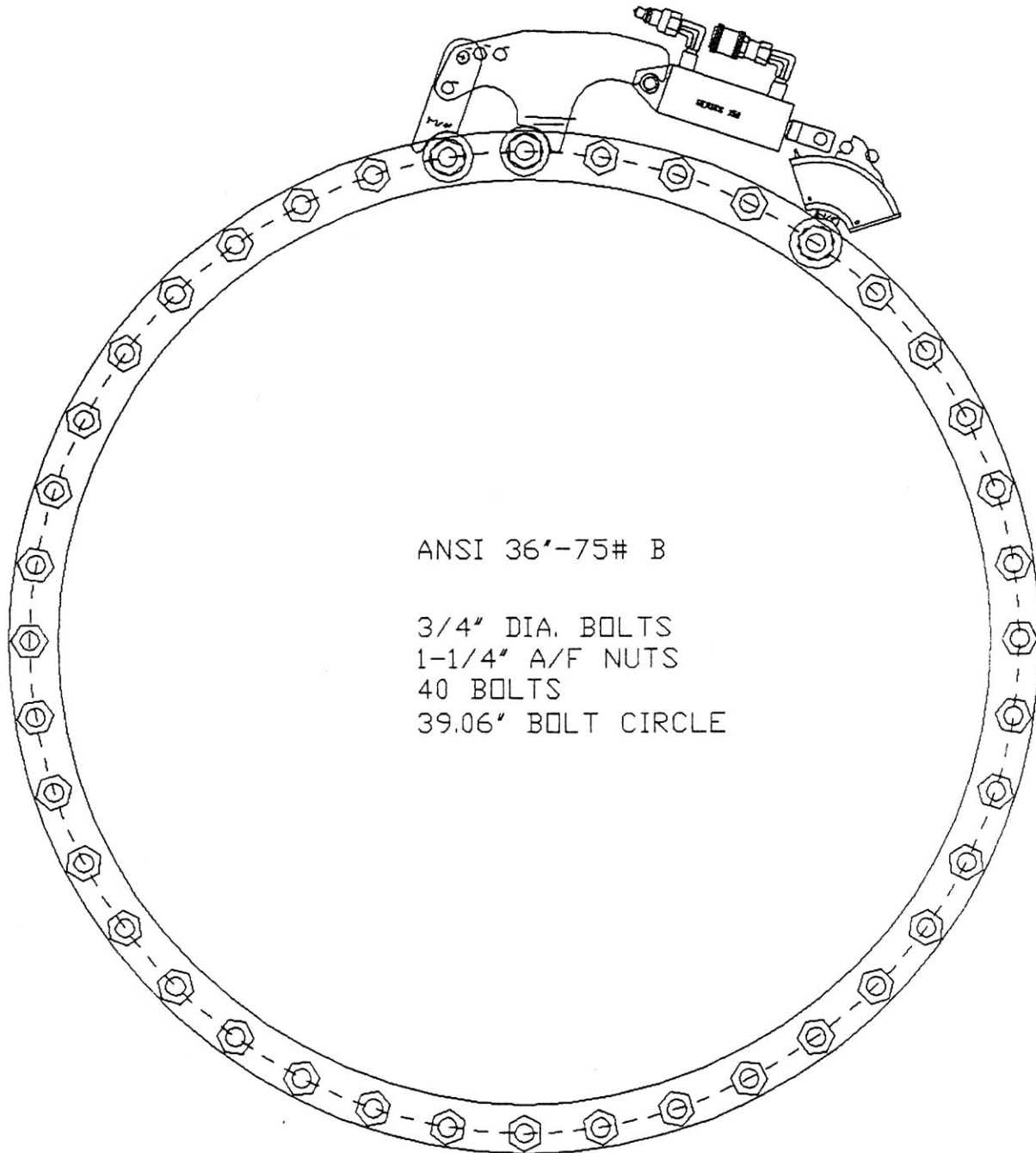
ThinLINE TLH104-4



Suggested Torque: 200 ft-lb
Pressure Setting: 350 psi



ThinLINE TLH104-4



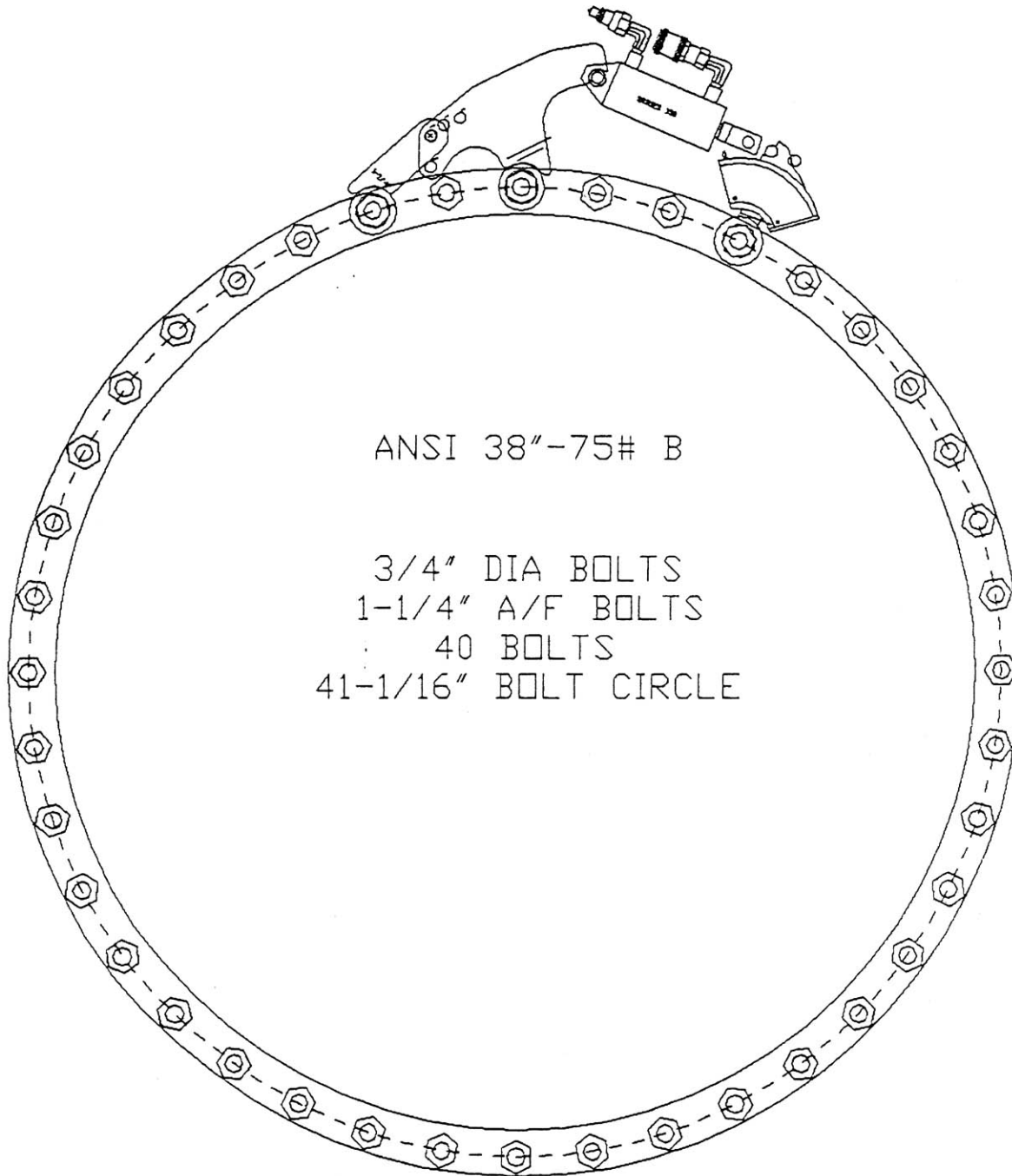
ANSI 36"-75# B

3/4" DIA. BOLTS
1-1/4" A/F NUTS
40 BOLTS
39.06" BOLT CIRCLE

Suggested Torque: 200 ft-lb
Pressure Setting: 350 psi



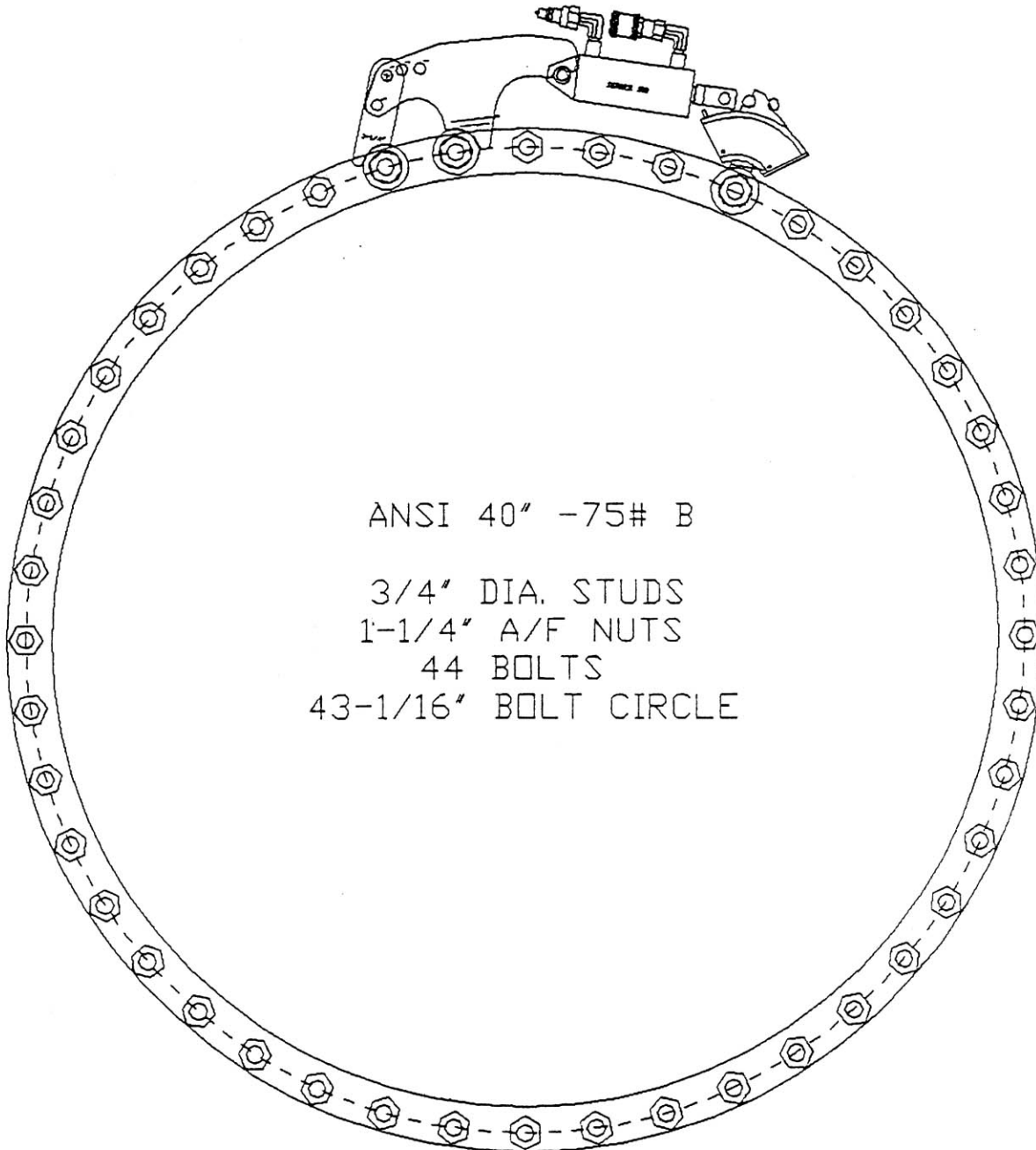
ThinLINE TLH104-4



Suggested Torque: 200 ft-lb
Pressure Setting: 350 psi



ThinLINE TLH104-4



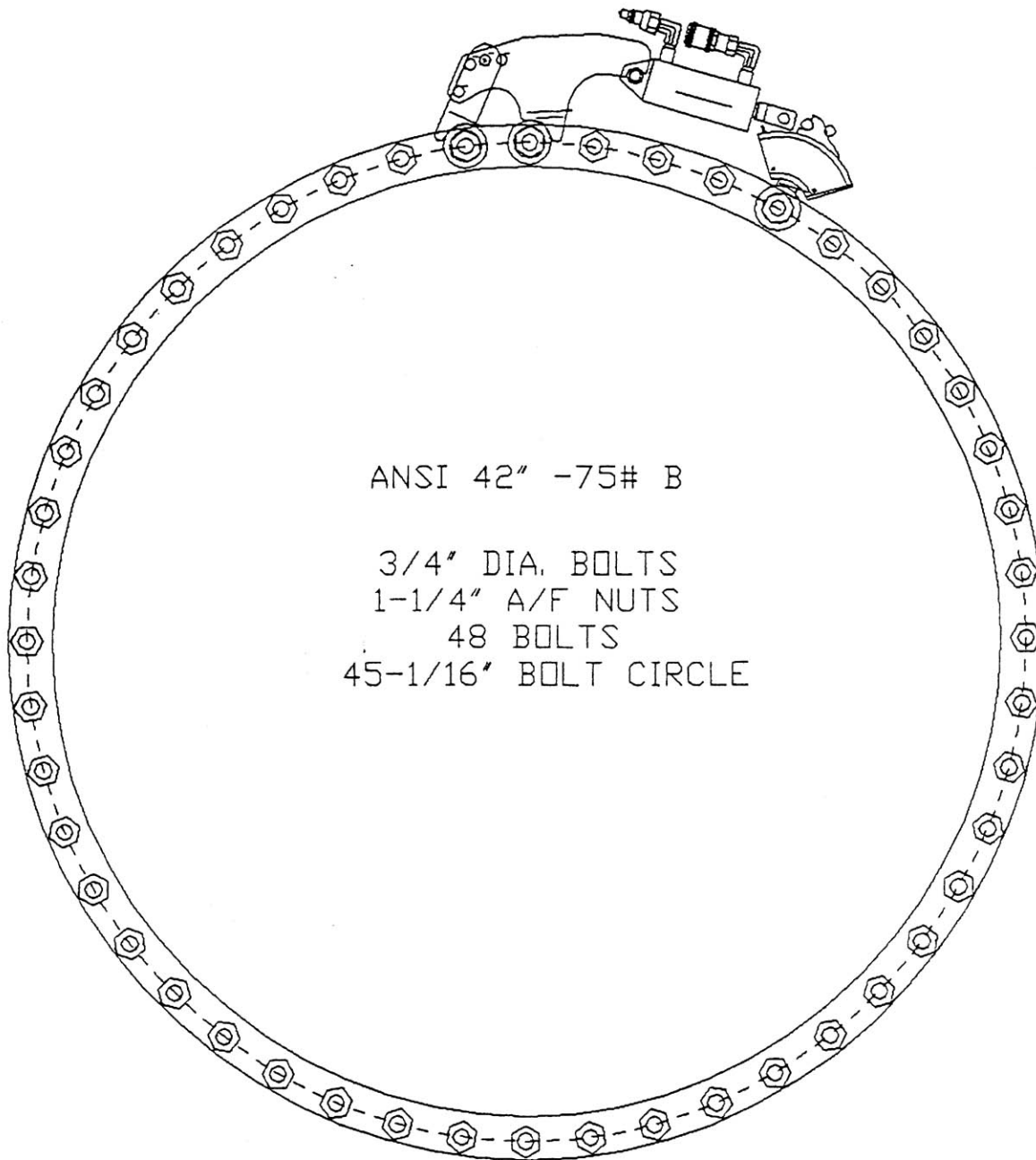
ANSI 40" -75# B

3/4" DIA. STUDS
1-1/4" A/F NUTS
44 BOLTS
43-1/16" BOLT CIRCLE

Suggested Torque: 200 ft-lb
Pressure Setting: 350 psi



ThinLINE TLH104-4



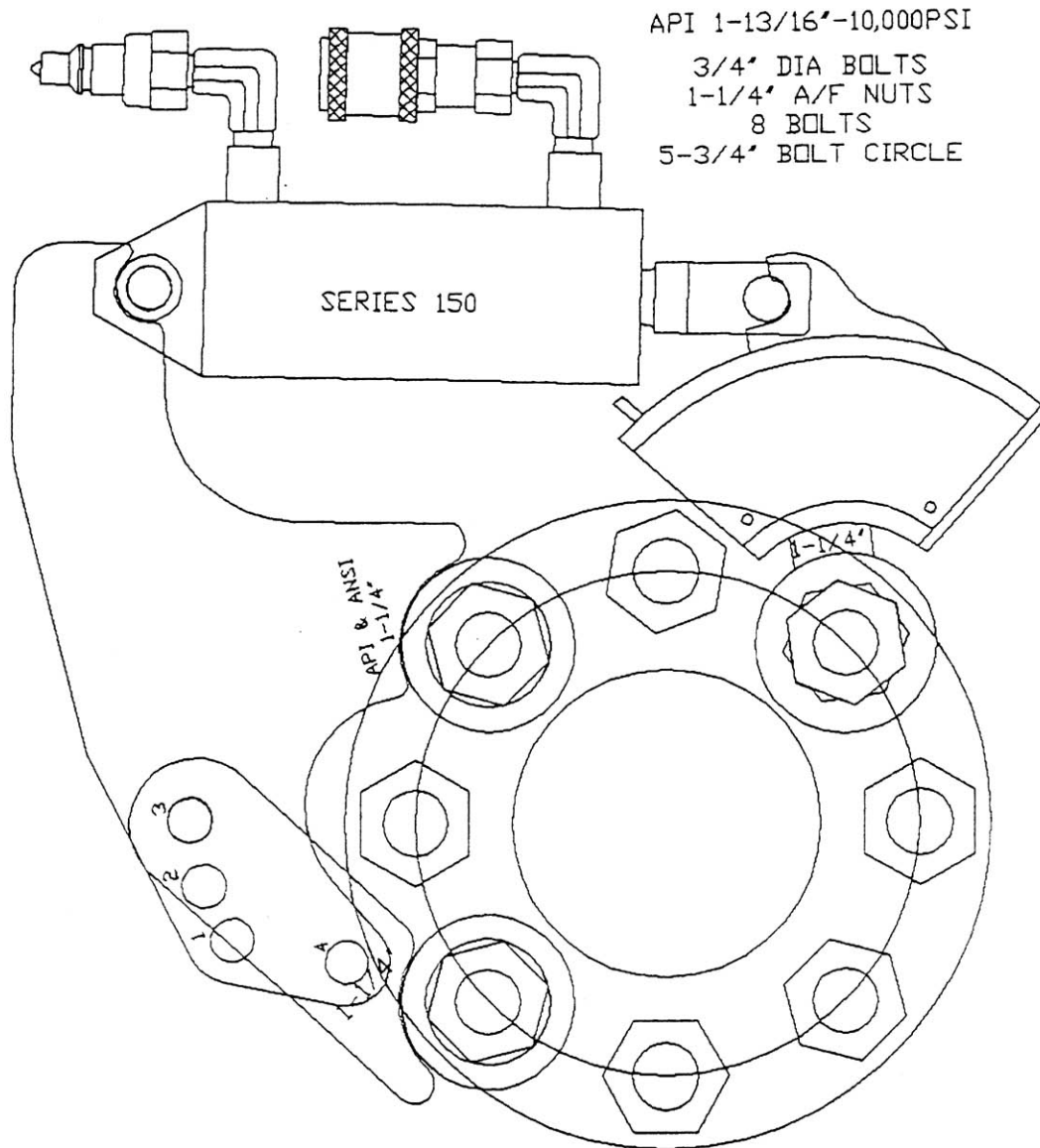
ANSI 42" -75# B

3/4" DIA. BOLTS
1-1/4" A/F NUTS
48 BOLTS
45-1/16" BOLT CIRCLE

Suggested Torque: 200 ft-lb
Pressure Setting: 350 psi



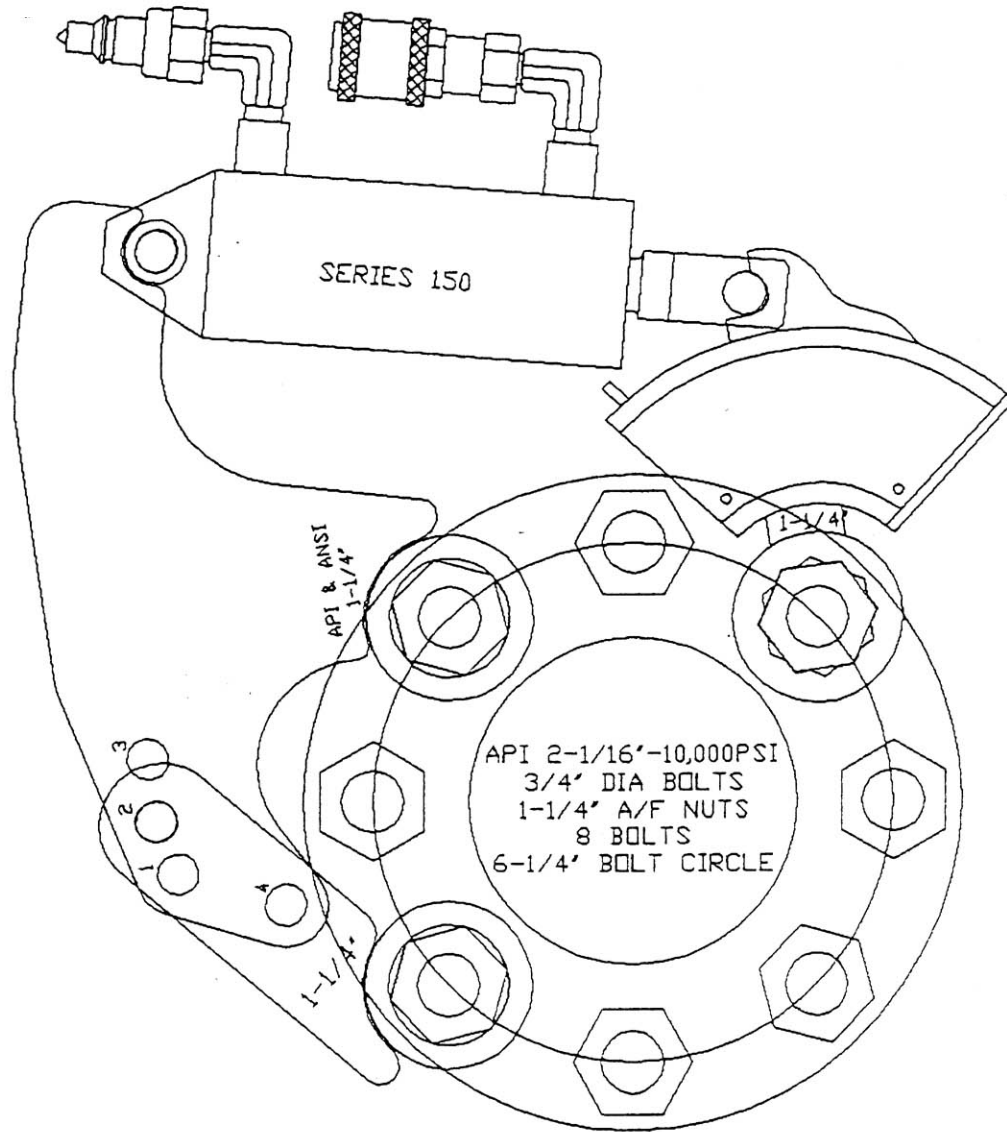
ThinLINE TLH104-4



Suggested Torque: 200 ft-lb
Pressure Setting: 350 psi



ThinLINE TLH104-4



Suggested Torque: 200 ft-lb
Pressure Setting: 350 psi



ThinLINE TLH104-4

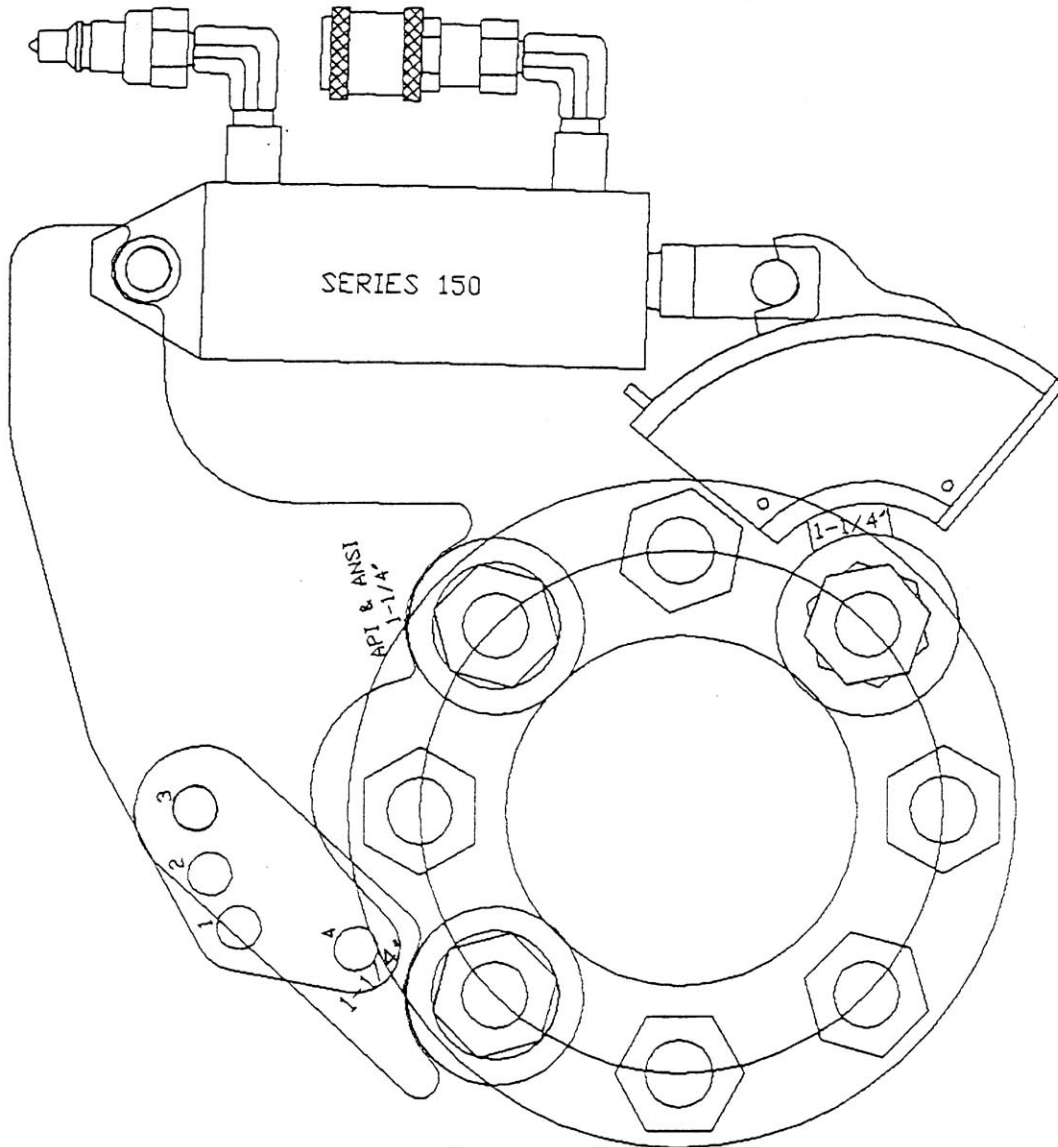
API 2-9/16"-2,000PSI

3/4" DIA BOLTS

1-1/4" A/F NUTS

8 BOLTS

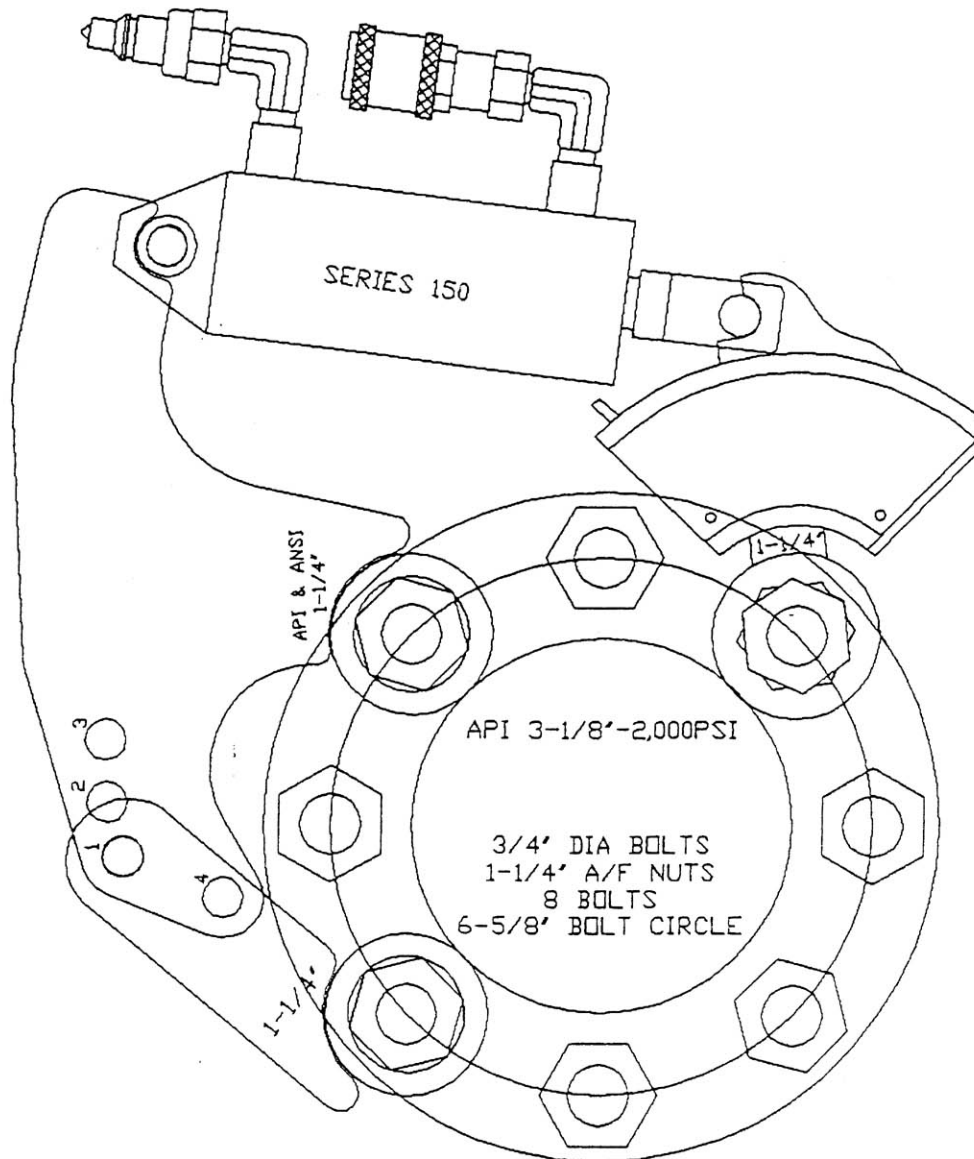
5-7/8" BOLT CIRCLE



Suggested Torque: 200 ft-lb
Pressure Setting: 350 psi



ThinLINE TLH104-4



Suggested Torque: 200 ft-lb
Pressure Setting: 350 psi

