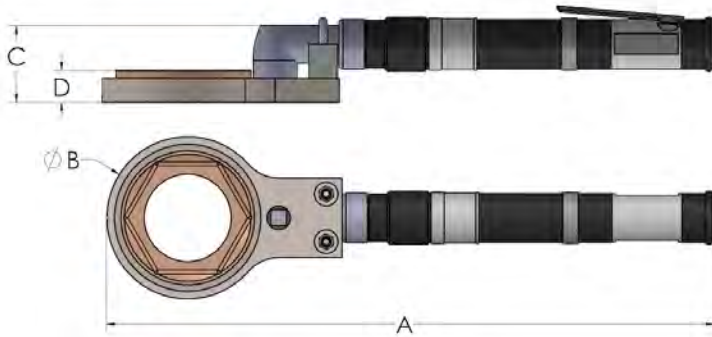


NutSPEEDER

Pneumatic Thru-Bolt Nut Runner

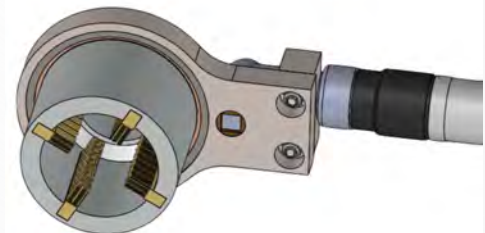
- Allows bolt to pass through
- Captures nut to prevent slippage
- Fully reversible with a twist
- 40-100 psi. operating pressure
- Ergonomic trigger minimizes operator fatigue



FAST RUN-DOWN - The NutSPEEDER Thru-Bolt Nut Runner will turn nuts at speeds of up to 265 rpm. Its specially designed socket ensures that the wrench will not slip off the nut during operation. It also cradles the nut for bottom up installation. The hole in the middle of the socket allows the bolt to pass through regardless of length. Optional thread cleaner modules allow for fast removal of dirt, debris and corrossions from bolt threads.

Nut Runner Model Number	Bolt Diameter Inches	Nut Size A/F Inches	A Inches	B Inches	C Inches	D Inches	Weight lb.	Thread Cleaner
NR104	3/4	1-1/4	18.13	2.80	2.41	0.75	7.7	TC104
NR107	7/8	1-7/16	18.13	2.80	2.41	0.75	7.7	TC107
NR110	1	1-5/8	18.24	3.76	2.41	0.75	7.8	TC110
NR113	1-1/8	1-13/16	18.24	3.76	2.41	0.75	8.2	TC113
NR200	1-1/4	2	18.43	4.02	2.41	0.75	8.2	TC200
NR203	1-3/8	2-3/16	18.43	4.02	2.41	0.75	8.4	TC203
NR206	1-1/2	2-3/8	18.61	4.36	2.41	0.75	8.4	TC206
NR209	1-5/8	2-9/16	18.61	4.36	2.41	0.75	8.7	TC209
NR212	1-3/4	2-3/4	18.80	4.65	2.41	0.75	8.7	TC212
NR215	1-7/8	2-15/16	18.80	4.65	2.41	0.75	8.9	TC215
NR302	2	3-1/8	19.18	5.11	2.41	0.75	8.9	TC302
NR308	2-1/4	3-1/2	19.18	5.11	2.41	0.75	9.4	TC308
NR314	2-1/2	3-7/8	19.50	0.75	2.41	0.75	9.4	TC314

Optional Thread Cleaner Module



Visit the FASTORQ YouTube Channel to see videos about the AutoTORQ Hydraulic Chain Pipe Wrench: <http://www.youtube.com/user/FASTORQ>