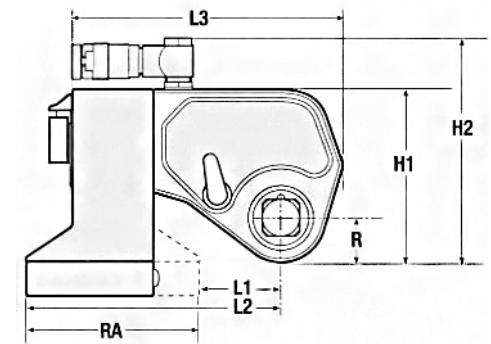
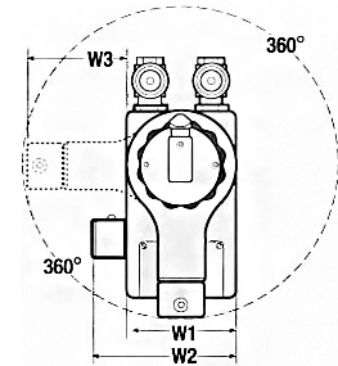


NORBAR TORQUE TOOLS

HYDRAULIC TORQUE WRENCH - NSD SERIES



MODEL	SQUARE DRIVE	RANGE		DIMENSIONS (mm)										WEIGHT (kg)
		N·m	lbf·ft	L1	L2	L3	H1	H2	W1	W2	W3	R	RA	
NSD-1	¾"	194 - 1,874	143 - 1,382	40	133	151	104	145	50	69	56	30	94	3.18
NSD-3	1"	355 - 3,960	262 - 2,921	47	183	202	124	166	70	91	81	32	136	6.35
NSD-6	1 ½"	765 - 6,928	564 - 5,110	55	193	214	151	199	76	114	89	44	139	9.53
NSD-8	1 ½"	1,150 - 11,585	848 - 8,545	52	175	227	172	214	99	136	122	46	165	14.06
NSD-11	1 ½"	1,407 - 14,633	1,038 - 10,793	57	222	239	187	232	99	136	127	52	127	16.33
NSD-20	2 ½"	2,377 - 24,315	1,753 - 17,934	88	264	295	233	274	126	189	141	76	191	34.02
NSD-30	2 ½"	3,577 - 34,986	2,638 - 25,804	88	276	298	248	289	149	213	141	79	191	41.28
NSD-45	2 ½"	5,966 - 63,223	4,400 - 46,631	186	318	338	285	320	146	210	140	83	189	68.04
NSD-60	2 ½"	6,932 - 74,441	5,113 - 54,905	150	373	406	356	396	184	248	146	95	223	134.26



NORBAR TORQUE TOOLS

HYDRAULIC TORQUE WRENCH - NHC SERIES



MODEL	HEX RANGE	RANGE		DIMENSIONS (inches)				WEIGHT WITH HEAD (lbs)
		N·m	lbf·ft	LENGTH	HEIGHT	BODY WIDTH	HEAD WIDTH	
NHC-1	¾" – 2"	159 - 1,754	117 - 1,294	6.250	4.000	1.100	0.950	7.25
NHC-3	1 ¼" – 2 15/16"	399 - 4,168	294 - 3,074	7.000	5.750	1.450	1.075 or 1.200	9.25
NHC-7	2" – 3 7/8"	904 - 9,354	667 - 6,899	9.250	6.250	1.500	1.500	14.00
NHC-10	2 3/8" – 4 1/4"	1,342 - 13,423	990 - 9,900	9.750	8.000	1.950	1.950	24.50
NHC-17	2 3/4" – 5 3/8"	2,051 - 21,627	1,513 - 15,951	11.250	9.250	1.950	2.450	42.00
NHC-25	3 1/2" – 5 3/4"	3,064 - 32,024	2,260 - 23,620	11.250	9.250	2.900	2.950	57.00
NHC-50	4 5/8" – 7 1/4"	4,711 - 60,720	3,475 - 44,785	15.375	10.500	2.900	2.950	85.00

