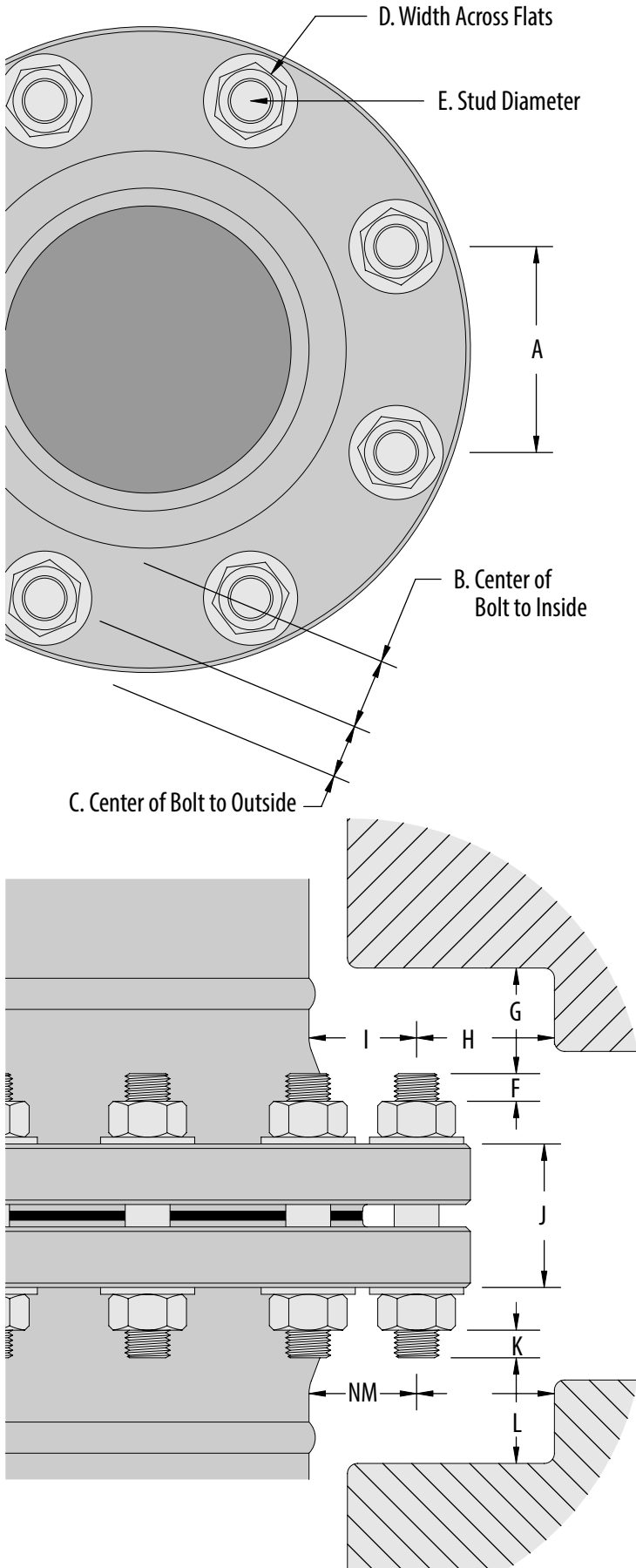


Application Worksheet



A. Center of One Bolt to The Next: _____

B. Center of Bolt to Inside: _____

D. Size of Nut (Width Across Flats): _____

C. Center of Bolt to Outside: _____

E. Diameter of Stud: _____

* Number of Bolts: _____

Top Side of Flange

F. Length of Stud Above Nut: _____

G. Vertical Clearance Above Stud: _____

H. Horizontal Clearance to Outside: _____

I. Horizontal Clearance to Inside: _____

J. Grip Length: _____

Bottom Side of Flange

K. Length of Stud Below Nut: _____

L. Vertical Clearance Below Stud: _____

M. Horizontal Clearance to Outside: _____

N. Horizontal Clearance to Inside: _____

Bolt & Additional Flange Info

1. Bolt Material: _____

2. Yield Strength: _____

3. Operating Temp. (If Known): _____

4. Gasket(s) (Type & Material): _____

5. ANSI or API Designation: _____

