

AutoTORQ

Hydraulic Chain Pipe Wrench

- **Incredible safety benefits**
- **Portable & tough**
- **10,367 to 83,998 ft-lb of torque**
- **Pipe diameters from 1" to 14"**
- **6,000 psi operating pressure**

The AutoTORQ Hydraulic Chain Pipe Wrench is specifically designed to be a portable solution to tighten and loosen threaded pipe connections. It replaces tongs and other manual methods for "making" and "breaking" these connections. It provides a safer and faster alternative to the hands-on set up of tongs and come-a-longs and helps eliminate more than half of the injuries on a rig and in shop environments.

With the press of a button, the AutoTORQ Hydraulic Chain Pipe Wrench allows the user to move away from the dangerous, and even deadly, radius around the pipe.

Available in five models, pipe make-up and break-out is a breeze. Just by latching the chain around the pipe and adjusting the slack with the tensioning nut, tightening and loosening of tubular threaded joints are no problem.

When used with the FASTORQ 610A Power Unit, FASTORQ's five chain pipe wrench models provide maximum speed and torque output from 10,367 to 83,998 ft-lb.

In addition to its unmatched safety, the AutoTORQ Hydraulic Chain Pipe Wrench gives operators the portability to go anywhere it's needed.

When compared to the lack of portability offered by table-top models, there is no comparison.



Pipe make-up and break-out with tongs is one of the biggest drilling safety hazards to workers today. It's a major concern for OSHA. So, why are you still using tongs and come-a-longs when there is a safe, easy and dependable tool available from FASTORQ. Stop risking worker safety and get an AutoTORQ Hydraulic Chain Pipe Wrench today.

AutoTORQ

Hydraulic Chain Pipe Wrench, Continued

The AutoTORQ Advantage

Competing products are tongs or products based on off-the-shelf tongs. Following are some of the advantages the AutoTORQ Hydraulic Chain Pipe Wrench has over these products.

Safe

Once the AutoTORQ is set up on the pipe, the operator stands a safe distance away from the tool and watches it do the work. Tongs are either operated by hand or with the assistance of some type of chain or cable with a mechanical or motorized winch. This is extremely dangerous as the cables or chains can break.

Compact

The AutoTORQ has wrench arms that are much shorter than tong handles allowing it to work in tight places.

Stable

The AutoTORQ is designed to maintain a secure footing on the pipe through the entire power stroke. Tongs are

extremely prone to side loading making it difficult to break loose pipe connections requiring higher torque.

Powerful

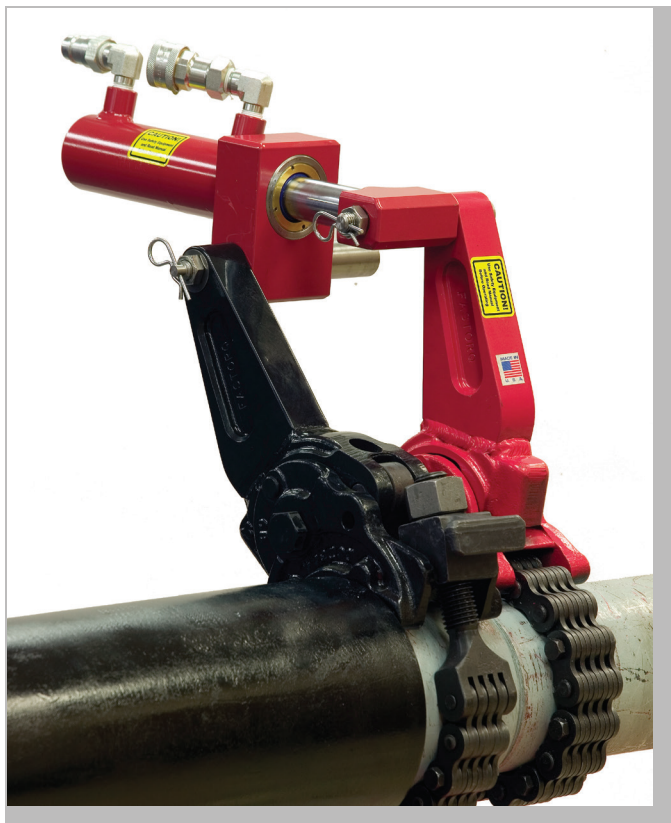
The AutoTORQ has 20% or more torque output than competing tools.

Portable

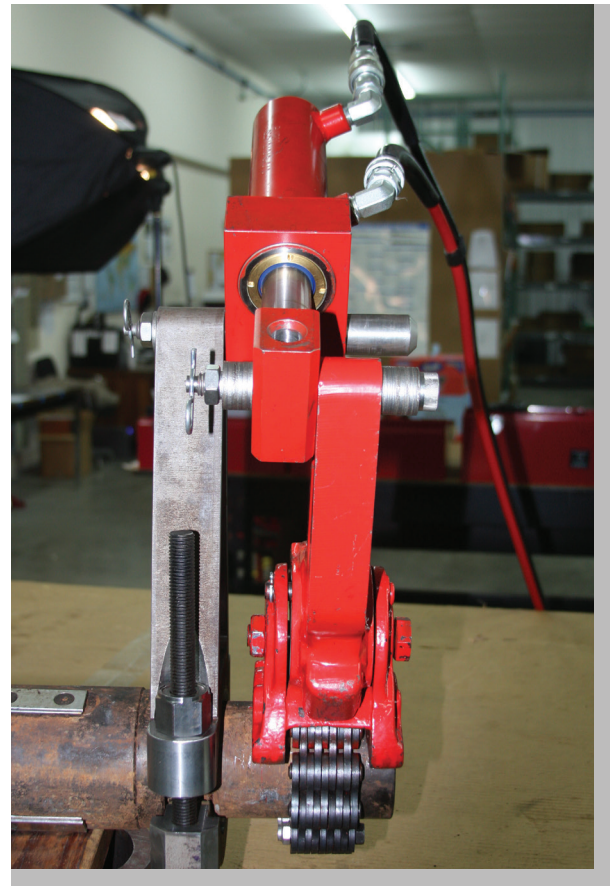
The AutoTORQ is preferable to “bucking machines” that are not portable (unless you consider pulling a trailer with the machine mounted on it portable). It is also designed to be assembled on the pipe in pieces making it easier to handle.

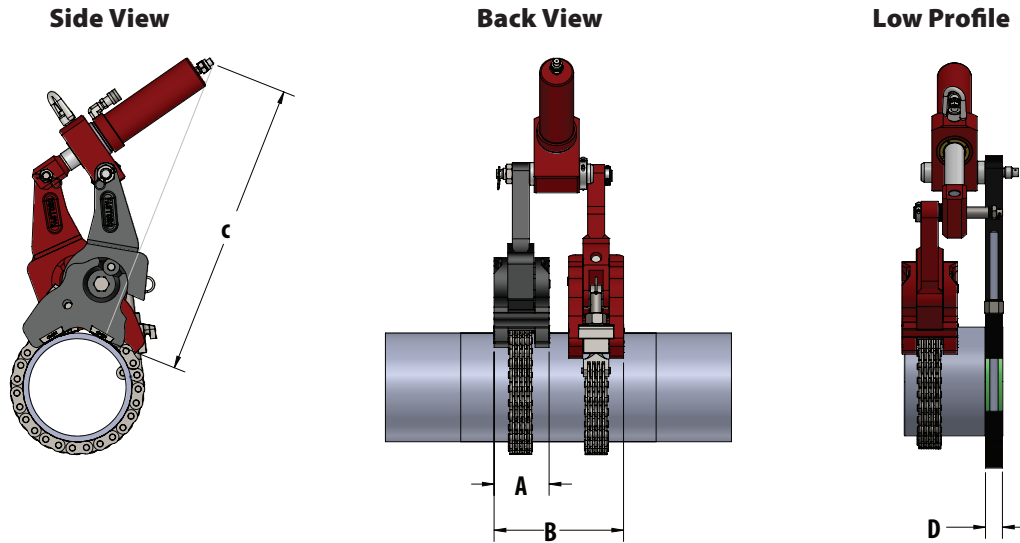
Low Profile Reaction Unit

For piping connections with space restrictions, an optional Low Profile Reaction Unit is available. It incorporates ZipNut Technology for fast installations and removal on the pipe. Specific information available upon request.



Low profile unit





AutoTORQ Hydraulic Chain Pipe Wrench							
Model Number	Pipe Outside Diameter Inches (mm)	Maximum Torque ft-lb. (Nm)	A inches (mm)	B inches (mm)	C inches (mm)	D inches (mm)	Tool Weight (lb)
PW1STR	1 to 6 (25-152)	10,367 (14,056)	4 (102)	8.25 (210)	19 (483)	1.75 (45)	60 (27)
PW2STR	2-1/8 to 5 (54-127)	23,185 (31,435)	4-1/2 (114)	9.25 (235)	23 (584)	2 (51)	114 (52)
PW3STR	3 to 8-1/4 (76-210)	24,379 (33,053)	5 (127)	10.25 (260)	25 (635)	2 (51)	136 (62)
PW4STR	4-3/4 to 10-3/4 (121-273)	46,633 (63,267)	5 (127)	10.25 (260)	27 (686)	2.63 (68)	189 (86)
PW5STR	8-1/8 to 14 (206-356)	83,998 (113,886)	7.25 (184)	15.75 (400)	32 (813)	3.5 (89)	350 (159)

Visit the FASTORQ YouTube Channel to see videos about the AutoTORQ Hydraulic Chain Pipe Wrench:

<http://www.youtube.com/user/FASTORQ>

Or visit our website: <http://www.fastorq.com/resources/video-library/> | Videos are available in English, Spanish, Portuguese and Russian.

Power Units for AutoTORQ, ThinLINE and RatchetTORQ



610A

10,000 psi. high flow air driven hydraulic power unit delivers 470 in³/min. @ 0 psi. and 150 in³/min. @ 10,000 psi.



FHFA-10K

10,000 psi. compact air driven hydraulic power unit delivers 620 in³/min. @ 0 psi. and 62 in³/min. @ 10,000 psi.



FHFE-10K

10,000 psi. compact electric driven hydraulic power unit delivers 620 in³/min. @ 0 psi. and 62 in³/min. @ 10,000 psi.