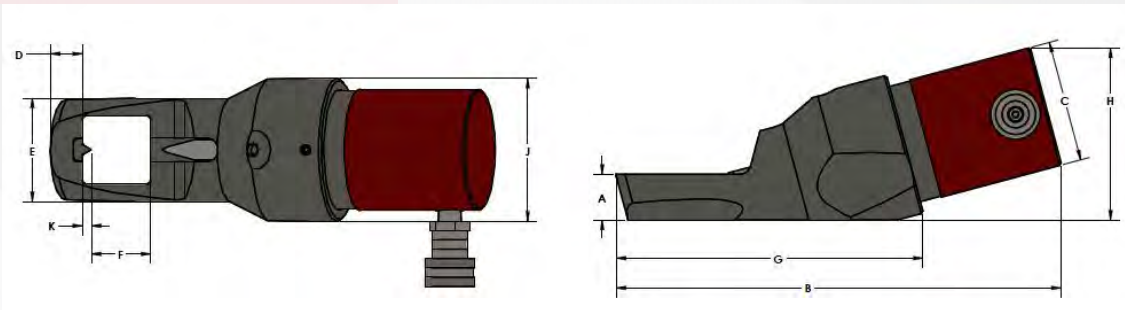


# AutoSPLITTER

## Rail Nut Splitter

- Cuts through the hardest nuts quickly & safely
- Double Cutting Nut Splitter® saves time and effort
- Designed to fit in the rail web
- Resharpenable advancing chisel
- Cuts square and hex nuts from 1-1/16" to 1-5/8" ATF



### Fast

AutoSPLITTER can cut through the largest frozen nuts in just seconds, with virtually no risk of injury or accident. It's easy. Simply slip AutoSPLITTER head over the nut and apply hydraulic pressure. One action makes two cuts, 180 degrees apart, to cleanly cut the nut away.

### Safe

No hammers or flame are used. The operator has hands off during operation. AutoSPLITTER cuts smoothly so that there is no danger to the operator or the surrounding equipment.

### Specifications

- AutoSPLITTER Model Number: AS105AHDCSN (Complete unit in toolbox with 1 set of chisels)
- Advancing Spare Chisel Part Number: A94057
- Stationary Spare Chisel Part Number: A2K646
- Battery Powered Hydraulic Pump: PUA10K011 (Includes hose, battery & charger)
- Maximum Operating Pressure: 10,000 psi.
- Dimensions:

|            |           |
|------------|-----------|
| A = 1.27"  | F = 1.65" |
| B = 12.39" | G = 8.54" |
| C = 3.38"  | H = 4.78" |
| D = 0.89"  | J = 3.97" |
| E = 2.88"  | K = 0.25" |

Visit the FASTORQ YouTube Channel to see videos about the AutoTORQ Hydraulic Chain Pipe Wrench:

<http://www.youtube.com/user/FASTORQ>

Or visit our website: <http://www.fastorq.com/resources/video-library/>

Videos are available in English, Spanish, Portuguese and Russian languages.