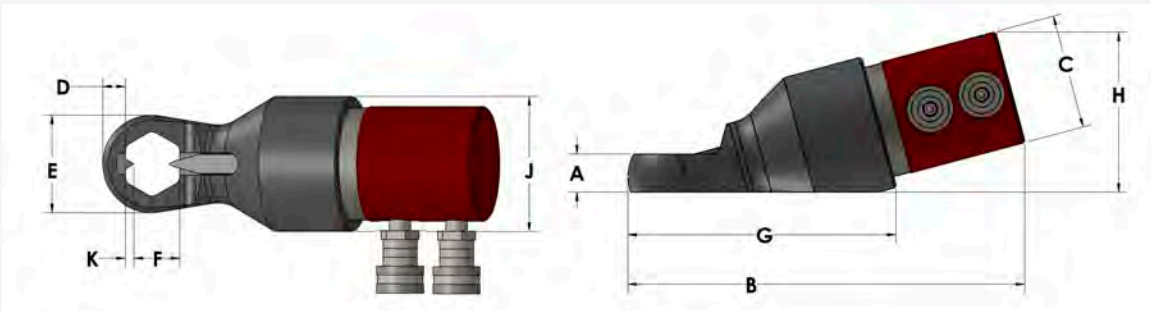


AutoSPLITTER

Double Cutting Nut Splitter with Double-acting Cylinder

- Only double-cutting double-acting model in the world!
- Fast, safe & tough
- Position once & the job is done!
- Fits tight spaces
- Precision, re-sharpenable chisel cuts only the nut
- Straight & Angle Head models also available



Duo/Trio Kits	Model	Stud Diameter inches (metric)	Nut Size ATF inches (mm)	A In. (mm)	B In. (mm)	C In. (mm)	D In. (mm)	E In. (mm)	F In. (mm)	G In. (mm)	H In. (mm)	J In. (mm)	K In. (mm)	Weight lb. (kg.)
ASDU025AHDC	AS105AHDC	5/16 - 3/4 (M8-M20)	11/16 - 1-1/4 (16-36)	1.13 (29)	11.67 (296)	3.38 (86)	0.67 (17)	2.87 (73)	1.35 (34)	7.90 (201)	3.38 (86)	3.97 (101)	0.25 (6)	20 (9)
	AS200AHDC	7/8 - 1-1/8 (M22-M30)	1-7/16 - 1-11/16 (36-41)	1.38 (35)	12.39 (315)	3.38 (86)	0.94 (24)	3.62 (92)	2.00 (51)	8.60 (218)	4.72 (120)	3.97 (101)	0.25 (6)	21 (10)
ASDU055AHDC	AS204AHDC	1-1/4 - 1-3/8 (M33-M36)	1-13/16 - 2-3/16 (46-60)	1.75 (45)	16.4 (417)	5.00 (127)	1.14 (29)	4.48 (114)	2.32 (59)	12.34 (313)	6.68 (170)	5.87 (149)	0.37 (9)	61 (28)
	AS210AHDC	1-3/8 - 1-1/2 (M36-M39)	2-3/16 - 2-3/8 (55-65)	2.00 (51)	16.71 (424)	5.00 (127)	0.97 (25)	4.75 (121)	2.42 (61)	12.61 (320)	6.75 (171)	5.97 (152)	0.42 (11)	62 (28)
ASDU0100AHDC	AS308AHDC	1-3/4 - 2 (M45-M52)	2-5/8 - 3-1/8 (65-90)	2.50 (64)	19.88 (505)	6.25 (159)	1.51 (38)	6.28 (160)	3.14 (80)	14.26 (362)	8.32 (211)	7.25 (184)	0.63 (16)	95 (43)
	AS314AHDC	2 - 2-1/4 (M52-M56)	3 - 3-5/8 (80-90)	2.75 (70)	20.69 (526)	6.25 (159)	1.75 (44)	6.75 (171)	3.71 (94)	14.97 (380)	8.32 (211)	7.38 (187)	0.71 (18)	100 (45)
	AS404AHDC	2-3/4 - 3-1/4 (M72-M85)	3-3/4 - 4-1/4 (95-110)	3.73 (95)	21.44 (545)	8.50 (216)	2.09 (53)	7.75 (197)	4.30 (109)	15.74 (400)	14.36 (365)	9.44 (240)	0.54 (14)	206 (94)